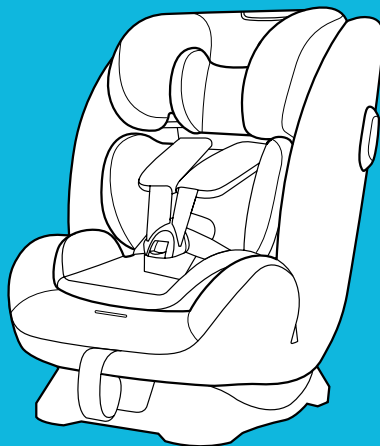




SLIMFIT™ R129

CHILD RESTRAINT

IMPORTANT - KEEP FOR FUTURE REFERENCE



EN

Owner's Manual
Parts List
Fitting Guide

FR

Manuel d'utilisation
Liste des pièces
Guide d'ajustement

DE

Bedienungsanleitung
Teilliste
Montageanleitung

NL

Gebruikershandleiding
Onderdelenlijst
Montagehandleiding

IT

Manuale di istruzioni
Elenco parti
Guida al montaggio

ES

Manual do utilizador
Lista de piezas
Guía de ensamblaje

PT

Manual do utilizador
Lista de componentes
Guia de fixação

PL

Podręcznik użytkownika
Wykaz części
Przewodnik montażu

CZ

Návod k použití
Seznam dílů
Pokyny pro upevnění

SK

Návod na obsluhu
Zoznam dielov
Sprivodca montážou

HR

Korisnički priručnik
Popis dijelova
Vodič za postavljanje

SR

Uputstvo za upotrebu
Lista delova
Vodič za montažu

SL

Navodila za uporabo
Seznam delov
Navodila za
namestitve

RU

Руководство по эксплуатации
Детали изделия
Справочник по креплениям

DA

Brugsvejledning
Liste over dele
Tilpasningsvejledning

NO

Brukerhåndbok
Deleliste
Monteringsveiledning

SV

Ågarmanual
Lista över delar
Passningsvägledning

FI

Omistajan käsikirja
Osaluettelo
Kiinnitysoapas

HU

Felhasználói kézikönyv
Alkatrészek listája
Szerelési útmutató

RO

Manualul utilizatorului
Lista componentelor
Ghid de montaj

EL

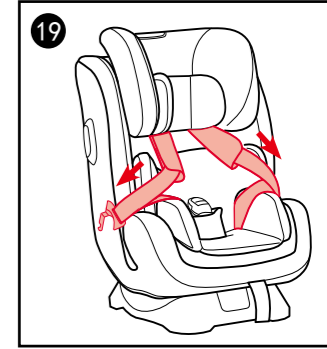
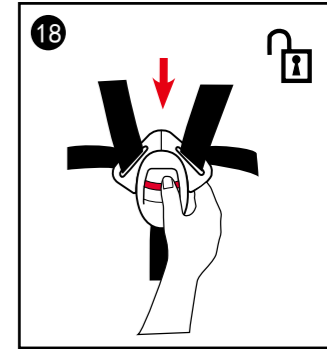
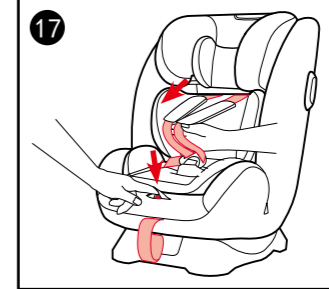
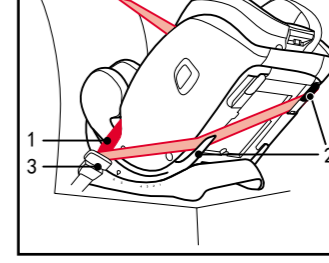
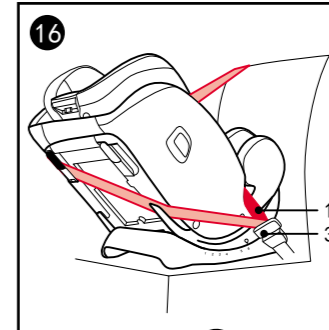
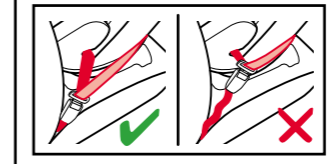
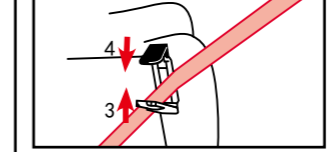
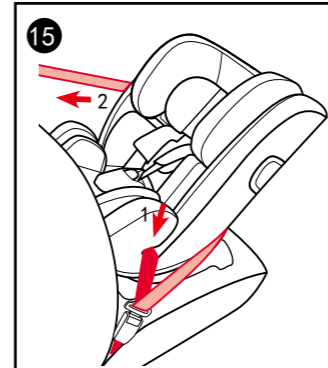
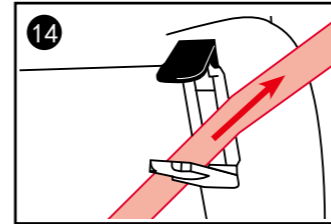
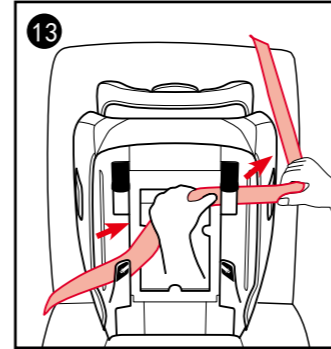
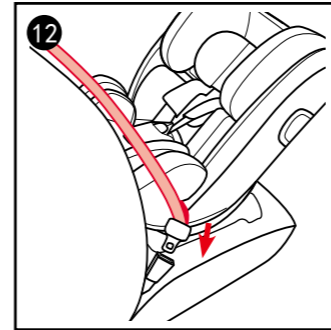
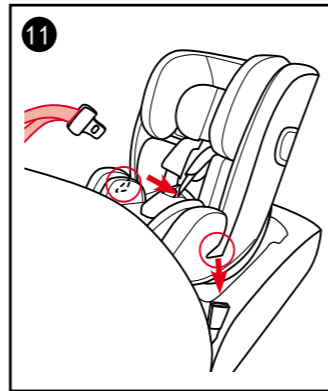
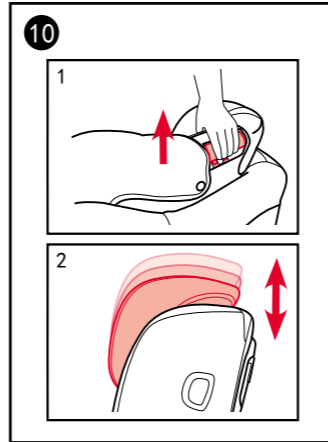
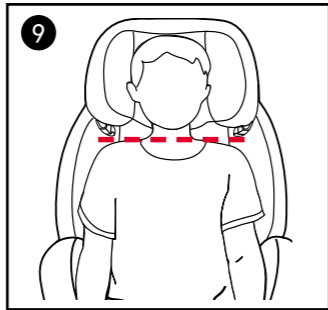
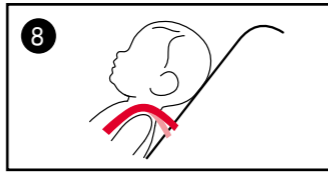
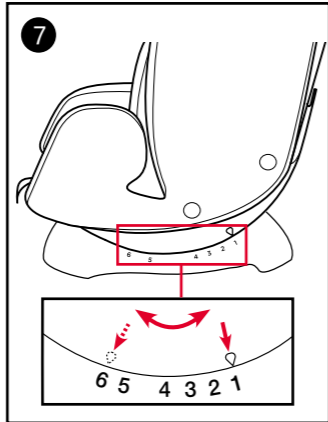
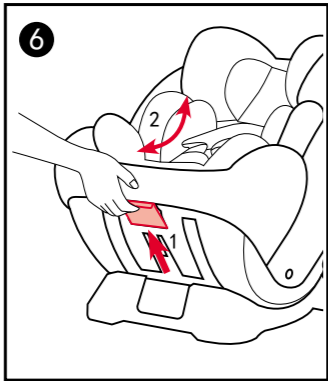
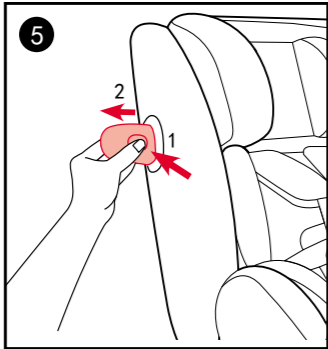
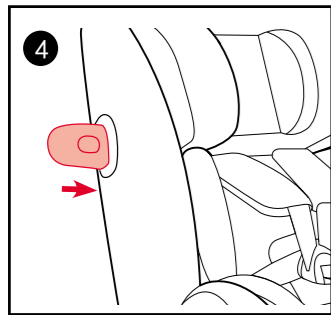
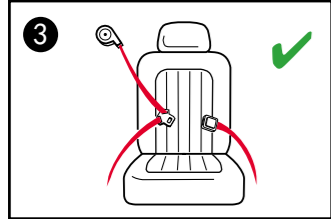
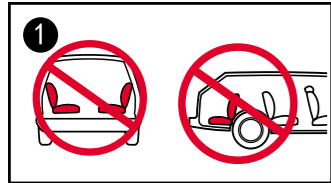
Εγχειρίδιο χρήστη
Κατάλογος
εξαρτημάτων
Οδηγός τοποθέτησης

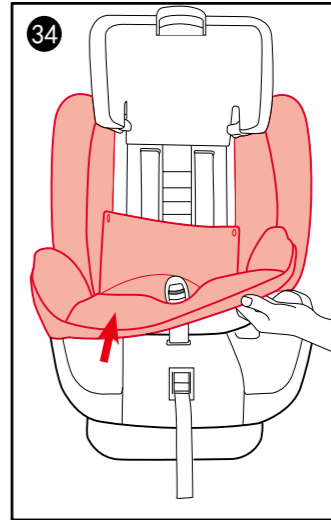
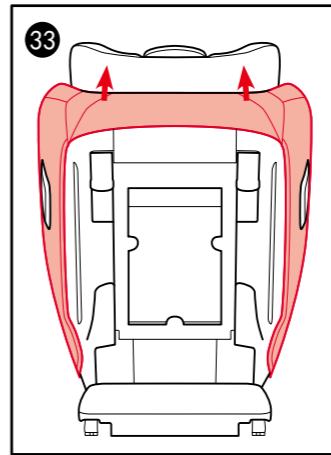
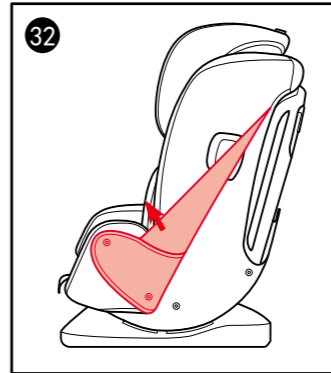
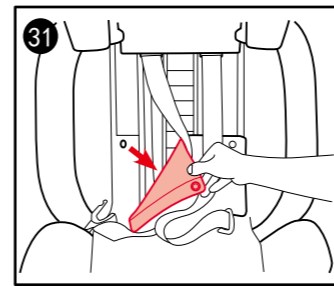
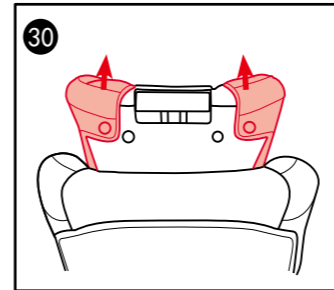
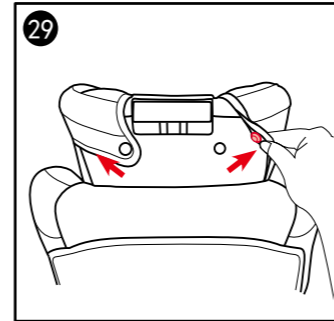
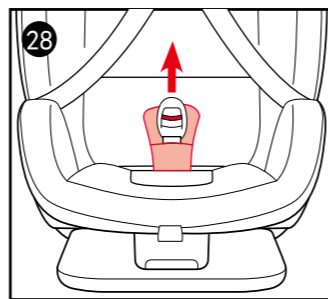
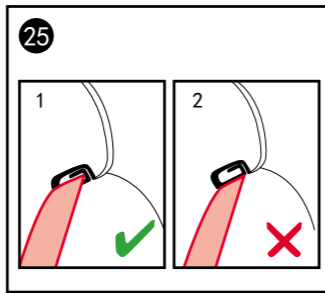
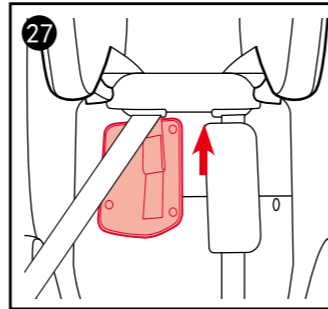
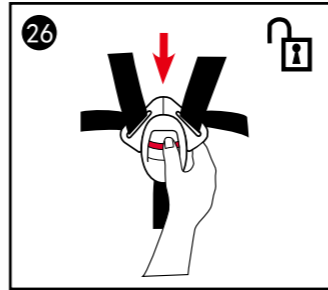
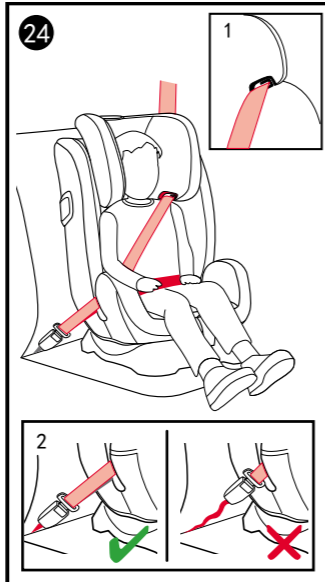
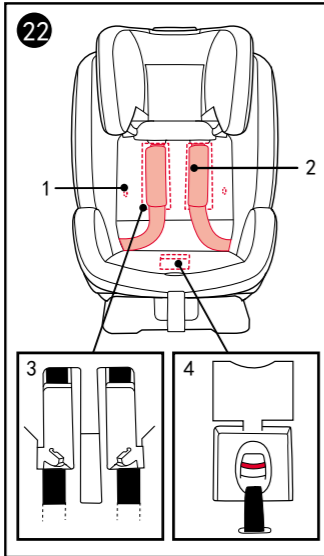
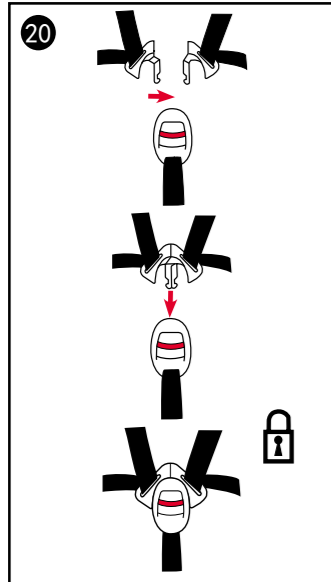
TR

Kullanıcı Kilavuzu
Parça Listesi
Kurulum Kilavuzu

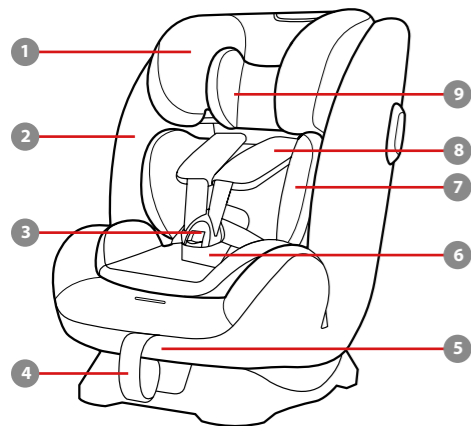
AR

دليل المالك
قائمة الأجزاء
دليل التركيب

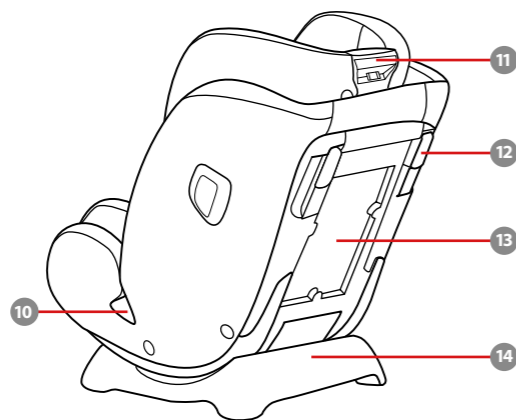




Parts List



- 1 Head Support
- 2 Seat
- 3 Buckle
- 4 Harness Adjuster Strap
- 5 Recline Adjustment Handle
- 6 Crotch Harness Cover
- 7 Body Support
- 8 Shoulder Harness Covers
- 9 Headrest Pillow
- 10 Vehicle Lap Belt Slots
- 11 Head Support Adjustment Lever



- 10 Vehicle Lap Belt Slots
- 11 Head Support Adjustment Lever
- 12 Vehicle Belt Lock-off
- 13 Instruction Manual Storage Compartment
- 14 Base
- 15 Side Impact Protection Pod (*must use on door side only)



IMPORTANT

READ THESE INSTRUCTIONS CAREFULLY BEFORE USE AND KEEP THEM FOR FUTURE REFERENCE. YOUR CHILD'S SAFETY MAY BE AFFECTED IF YOU DO NOT FOLLOW THESE INSTRUCTIONS.

WARNING:
IMPORTANT, RETAIN FOR FUTURE REFERENCE: READ CAREFULLY.

BE cautious that the rigid items and plastic parts of the enhanced child restraint system shall be so located and installed that they are not liable to become trapped by a movable seat or in the door of the vehicle.

DO NOT use the rearward facing enhanced child restraint systems in seating positions where there is an active frontal airbag installed.

To use this enhanced child restraint according to the UN Regulation No.129, your child must meet the following requirements.

Rearward Facing: Child height 40cm - 105cm / max. 22kg

Forward Facing: Child height 100cm - 145cm / 15kg - 36kg

IMPORTANT - DO NOT USE IT AS

BOOSTER MODE BEFORE THE CHILD'S HEIGHT MORE THAN 100CM (Refer to instructions).

The enhanced child restraint may not fit in all approved vehicles.

Any straps holding the enhanced child restraint to the vehicle should be tight, that any straps restraining the child should be adjusted to the child's body, and that straps should not be twisted.

After your child is placed in this enhanced child restraint, the safety belt must be used correctly. Ensure that any lap strap is worn low down, so that the pelvis is firmly engaged, shall be stressed.

This enhanced child restraint should be replaced when it has been subject to violent stresses in an accident. An accident can cause damage to it that you cannot see.

Consider the danger of making any alterations or additions to the device without approval of the adequate authority, and the danger of not following closely to the installation instructions provided by the enhanced child restraint manufacturer.

Please keep this enhanced child restraint away from sunlight, otherwise

it may be too hot for child's skin. Always touch the enhanced child restraint before placing child in it.

NEVER leave your child unattended with this enhanced child restraint.

Any luggage or other objects liable to cause injuries in the event of a collision shall be properly secured.

The enhanced child restraint system shall NOT BE USED without the soft goods.

The soft goods should not be replaced with any other than the one recommended by the manufacturer, because the soft goods constitutes an integral part of the restraint performance.

Please check if this enhanced child restraint can be installed properly in your vehicle before you purchase it.

NO enhanced child restraint can guarantee full protection from injury in an accident. However, proper use of this enhanced child restraint will reduce the risk of serious injury or death to your child.

DO NOT install this enhanced child restraint without following the instructions in this manual or you may

put your child at serious risk of injury or death.

DO NOT use this enhanced child restraint if it has damaged or missing parts.

DO NOT have your child in large/ oversized clothes because this may prevent your child from being, properly and securely fastened by the shoulder harness straps and the crotch strap between the legs.

Care and Maintenance

After removing the wedge from the insert, please store it somewhere that the child cannot access it.

Please wash the seat cover and inner padding with cold water under 30°C.

Do not iron the soft goods.

Do not bleach or dry clean the soft goods.

Do not use undiluted detergents, gasoline or other organic solvent to wash the child restraint. It may cause damage to the child restraint.

Do not wring out the seat cover and inner padding to dry. It may leave the

seat cover and inner padding with wrinkles.

Please hang dry the seat cover and inner padding in the shade.

Please remove the child restraint and base from the vehicle seat if not in use for a long period of time. Put the child restraint in a cool, dry place where your child cannot access it.

Do not tamper with the harness connectors during cleaning.

gracobaby.eu
www.gracobaby.pl

Product Information Concerns on Rearward Facing Mode

1. This is Universal Belted Enhanced Child Restraint System. It is approved according to UN Regulation No.129, for use primarily in "Universal seating positions" as indicated by vehicle manufacturers in the vehicle user's manual.
2. If in doubt, consult either the Enhanced Child Restraint System manufacturer or the retailer.

Forward Facing Mode

1. This is an i-Size booster seat Enhanced Child Restraint System. It is approved according to UN Regulation No.129, for use primarily in "i-Size seating positions" as indicated by vehicle manufacturers in the vehicle user's manual.
2. If in doubt, consult either the Enhanced Child Restraint System manufacturer or the retailer.

Materials Plastics, metal, fabrics

Patent No. Patents pending

See images 1 - 3

- 1 DO NOT install this child restraint on vehicle seats that face sideways or rearward with respect to the moving direction of the vehicle.

It is recommended to install this child restraint on the rear vehicle seat.

DO NOT install this child restraint on vehicle seats movable during installation.

- 2 DO NOT place rear-facing child restraint on front seat with air bag, because death or serious injury may occur. Please reference vehicle owner's manual for more information.

- 3 This child restraint is suitable for vehicle seats with a 3-point Retractor Safety Belt only.

DO NOT install this child restraint on vehicle seats with Lap Belts.

Use Side Impact Protection

See images 4 - 5

- 4 The enhanced child restraint is delivered with removable side impact protection. This side impact protection must be used on the door side of the vehicle for best protection.
- 5 Press the release button to remove side impact protection.

Recline Adjustment

See images 6 - 7

- 6 Press the recline adjustment handle, and adjust the enhanced child restraint to the proper position.

- 7 The recline angles are shown as 7

There are two recline angles 5-6 for rearward facing mode.

There are four recline angles 1-4 for forward facing mode.

Align the top reclining indicator with the bottom numbers for the desired recline position.

Height Adjustment for Head Support and Shoulder Harnesses

See images 8 - 10

- 8 When used in rearward facing mode, the shoulder harness height must be even with or just below the top of child's shoulders. If the shoulder harnesses are not at proper height, the child may be thrown from the enhanced child restraint in case of an accident.

- 9 When used in forward facing mode, the shoulder belt guides must be even with or just above the child's shoulders.

Please adjust the head support and shoulder harnesses to proper height according to the child's height.

- 10 Squeeze the head support adjustment lever 10 -1, meanwhile pull up or push down the head support until it clicks into one position. The head support positions are shown as 10 -2. As the headrest is adjusted up (from 6th-9th position), the sides

of the child restraint automatically move outward to provide more shoulder room.

Rearward Facing Mode (Child height 40cm-105cm/ max. 22kg)

See images 11 - 21

Please install the child restraint on the rear vehicle seat, and then put the child in the child restraint.

Installation for Rearward Facing Mode

Please adjust the enhanced child restraint to the desired recline position (2 positions for rearward facing mode). Align the top reclining indicator with one of the bottom white numbers.

Make sure the shoulder harness is adjusted to proper height before installing this enhanced child restraint.

When installing and adjusting the safety belts, make sure that both the shoulder belt and the lap belt are not twisted and will not stop

the safety belts from functioning properly.

- 11 Pass the vehicle lap belt through the vehicle lap belt slots.

- 12 Then engage the vehicle buckle tongue into the buckle.

Vehicle lap belt must pass underneath Body Support.

- 13 Pass the vehicle shoulder belt through the two rear-facing vehicle belt slots at the back of the enhanced child restraint.

- 14 Open the belt lock off and insert the shoulder belt through it.

Ensure the belt lock off is completely closed when not in use to prevent injury, or damage to vehicle upholstery.

- 15 Press the enhanced child restraint down firmly and pull the vehicle shoulder belt to fasten the enhanced child restraint securely.

15 -1 & 15 -2

Ensure to close the lock-off after checking the enhanced child restraint is securely fastened.

15 -3 & 15 -4

Keep your fingers off when closing the lock-off clips to avoid injury.

The enhanced child restraint can not be used if the vehicle safety belt buckle (female buckle end) is too long to anchor the enhanced child restraint securely.

Double check that the enhanced child restraint is securely installed and does not move on the vehicle seat.

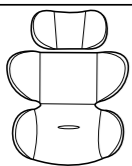
- 16 Correctly assembled vehicle belt is shown as 16

Ensure that the vehicle lap belt passes through the vehicle lap belt slot. 16 -1

Ensure that the vehicle shoulder belt passes through the rear-facing vehicle belt slot. 16 -2

The vehicle buckle tongue is engaged with the buckle correctly, as 16 -3

Securing your Child in the Child Restraint Use Body Support and Headrest Pillow



We recommend using headrest pillow and body support while the baby is under 60cm and can be used until they outgrow the body support. The headrest pillow and body support increases side impact protection.

- 17** While pressing the harness adjustment button, pull completely the two shoulder harnesses of the enhanced child restraint.
- 18** Press the button to disengage the buckle.
- 19** Fix the buckles on the both sides of seat to make placing the baby more convenient.
Place the child into the enhanced child restraint and pass both arms through the harnesses.
- 20** Engage the buckle.
- 21** Pull the adjustment webbing toward you to adjust it to the proper length and make sure your child is snugly secured.
After the child is seated, recheck whether the shoulder harnesses are at the proper height.
Always keep child secured in harness and properly tightened by removing any slack.

Forward Facing Mode

(Child height 100cm-145cm)

See images **22** - **25**

Installation for Forward Facing Mode

When using in the forward facing mode, please remove the body support, and place the shoulder harness straps, buckle and buckle tongues in the harness hideaway storage compartments.

Headrest pillow can be used according to whether the child's head is comfortable.

Please adjust the shoulder harnesses to proper length before storing the shoulder straps and buckle in their storage compartments.

Please adjust the enhanced child restraint to the desired recline position. (4 positions for forward facing mode). Align the top reclining indicator with one of the bottom white numbers.

While using and adjusting the vehicle seat belt, check that there

are no twists in the vehicle seat belt that could cause your child fastened incorrectly.

Press the button to disengage the buckle as **18**

Remove crotch strap as shown in **28** and then the body support.

When installing the enhanced child restraint in the forward facing mode, do not use the body support. Headrest pillow can be used according to whether the child's head is comfortable.

Please keep the crotch belt cover well to avoid loss.

22 Detach the snaps. **22** -1

Lift the upper flap upward and pull the lower flap forward, and then store the shoulder straps in their storage compartments. **22** -2

Pull the buckle to the back of the seat pad, and then store the buckle and buckle tongues in respective storage compartments. **22** -3 & **22** -4

23 Reattach the snaps to recover the seat pad. The recovered seat pad is shown as **23**

Securing the child in the child restraint system

Please check whether the vehicle shoulder belt guides are at proper height when the child is in the enhanced child restraint.

24 Position the shoulder belt through the shoulder belt guide and pass the lap belt through the vehicle lap belt slots. Engage the vehicle buckle and pull the vehicle belt to make sure it is tightened. **24** **25**

Shoulder belt must pass through shoulder belt guide. **24** -1

Lap belt must pass through lap belt slot.

The enhanced child restraint can not be used if the vehicle safety belt buckle (female buckle end) is too long to anchor the enhanced child restraint securely. **24** -2

NEVER use a 2-point vehicle belt (lap-belt only) to secure your child. DO NOT use shoulder belt loose or positioned under arm.

DO NOT use shoulder belt behind child's back.

DO NOT allow child to slide down in the enhanced child restraint in case of strangulation.

Detach Soft Goods

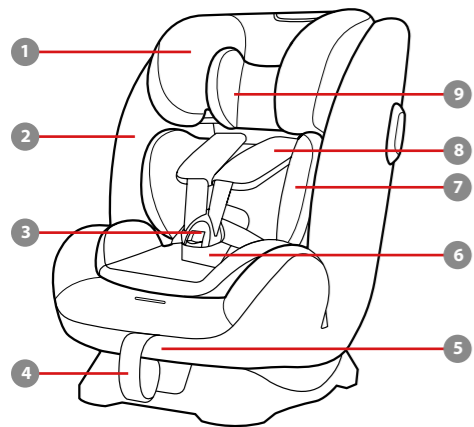
See images **26** - **34**

26 Press the red button to disengage the buckle.

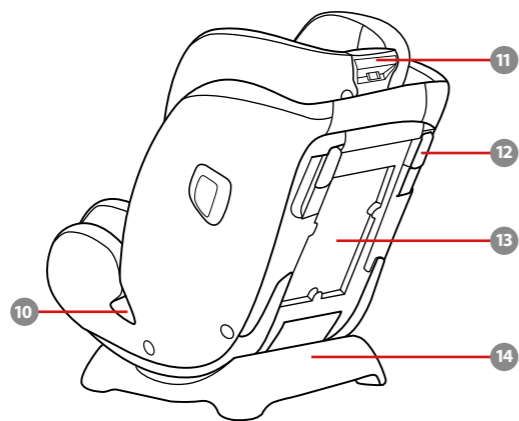
Follow steps **27** - **34** to detach soft goods.

To re-attach the soft goods please repeat the above steps in the reverse step.

Liste des pièces



- 1 Repose-tête
- 2 Siège
- 3 Boucle
- 4 Sangle de réglage du harnais
- 5 Poignée de réglage de l'inclinaison
- 6 Couverture du harnais d'entrejambe
- 7 Support corporel
- 8 Housses des harnais d'épaules
- 9 Coussin du repose-tête
- 10 Fentes pour ceinture abdominale du véhicule
- 11 Levier de réglage du reposeretête



- 12 Verrouillage de la ceinture du véhicule
- 13 Compartiment de rangement du manuel d'instructions
- 14 Base
- 15 Module de protection contre les chocs latéraux (*doit être utilisé uniquement du côté de la porte)



IMPORTANT

LISEZ ATTENTIVEMENT CES INSTRUCTIONS AVANT LA PREMIÈRE UTILISATION ET CONSERVEZ-LES. LA SÉCURITÉ DE VOTRE ENFANT POURRAIT ÊTRE COMPROMISE SI VOUS NE SUIVEZ PAS CES INSTRUCTIONS.

⚠️ AVERTISSEMENT: IMPORTANT, CONSERVER POUR CONSULTATION ULTÉRIEURE : LIRE ATTENTIVEMENT.

VEUILLEZ vous assurer que les éléments rigides et les pièces en plastique du système de retenue pour enfants amélioré soient situés et installés de sorte qu'ils ne soient pas susceptibles de se coincer sous un siège mobile ou dans la porte du véhicule.

N'utilisez PAS les systèmes de retenue pour enfants améliorés face à l'arrière dans des positions d'assise où un airbag frontal actif est installé.

Pour utiliser ce dispositif de retenue pour enfants amélioré conformément à la réglementation UN N°129, votre enfant doit respecter les conditions suivantes.

Face à l'arrière : Taille de l'enfant entre

40 cm et 105 cm / Max. 22kg

Face à l'avant : Taille de l'enfant 100cm - 145cm / 15kg - 36kg

Le dispositif de retenue pour enfants amélioré peut ne pas convenir dans tous les véhicules homologués s'il est utilisé dans certaines de ces positions.

Les sangles qui maintiennent le dispositif de retenue pour enfants amélioré dans le véhicule doivent être serrées, les sangles qui retiennent l'enfant doivent être ajustées au corps de l'enfant et ces sangles ne doivent pas être enroulées.

Après avoir placé votre enfant dans le dispositif de retenue amélioré, la ceinture de sécurité doit être utilisée correctement. Veuillez vérifier que toute sangle sous-abdominale est installée vers le bas, de manière à ce que le bassin soit fermement engagé, ceci est important.

Ce dispositif de retenue pour enfants amélioré doit être remplacé s'ils a été soumis à des tensions violentes dans un accident. Un accident peut les endommager, même si vous ne voyez pas les dommages.

Soyez conscient du danger d'apporter des modifications ou des ajouts

au dispositif sans l'approbation de l'autorité concernée ainsi que du danger de ne pas respecter strictement les instructions d'installation fournies par le fabricant du dispositif de retenue pour enfants amélioré.

Veillez conserver ce dispositif de retenue pour enfants amélioré à l'écart de la lumière du soleil, car il pourrait devenir trop chaud pour la peau de l'enfant. Touchez toujours le dispositif de retenue pour enfants amélioré avant de placer l'enfant dedans.

Ne laissez JAMAIS votre enfant sans surveillance avec ce dispositif de retenue pour enfants amélioré.

Tout bagage et autres objets susceptibles de causer des blessures en cas de collision doivent être correctement sécurisés.

Le dispositif de retenue pour enfants amélioré NE DOIT PAS être utilisé sans les pièces souples.

Les pièces souples ne doivent pas être remplacées par des pièces autres que celles recommandées par le fabricant, car les pièces souples font partie intégrante des performances du dispositif de retenue.

Veillez vérifier si ce dispositif de

retenue pour enfants amélioré peut être installé correctement dans votre véhicule avant de l'acheter.

AUCUN dispositif de retenue pour enfants amélioré ne peut garantir une protection complète contre les blessures en cas d'accident. Cependant, une bonne utilisation de ce dispositif de retenue pour enfants amélioré réduira les risques de blessures sérieuses ou de mort pour votre enfant.

N'installez PAS ce dispositif de retenue pour enfants amélioré sans respecter les instructions de ce manuel, ou vous pourriez exposer votre enfant à un risque élevé de blessures ou de mort.

N'utilisez PAS ce dispositif de retenue pour enfants amélioré si des pièces sont endommagées ou manquantes.

Ne faites PAS porter à votre enfant des vêtements trop amples/grands, car cela pourrait l'empêcher d'être bien attaché par les sangles du harnais pour les épaules et le harnais entre les jambes.

IMPORTANT - NE PAS UTILISER LE MODE BOOSTER AVANT QUE LA TAILLE DE L'ENFANT SOIT D'AU MOINS 100 CM (voir les instructions).

Entretien et maintenance

Après avoir retiré la mousse du support pour bébé, rangez-la dans un endroit hors de la portée des enfants.

Lavez les pièces souples à l'eau froide à moins de 30 °C.

Ne repassez pas les pièces souples.

Ne nettoyez pas les pièces souples à sec ou à l'eau de javel.

Ne pas utiliser de détergents neutres non dilués, de l'essence ou d'autres solvants organiques pour laver le dispositif de retenue pour enfants. Cela pourrait endommager le dispositif de retenue pour enfants.

N'essorez pas les pièces souples avec trop de force. Des plis pourraient apparaître sur les pièces souples.

Laissez les pièces souples sécher à l'ombre.

Veuillez retirer le dispositif de retenue pour enfants amélioré et la base du

siège du véhicule si vous ne prévoyez pas de l'utiliser pendant une longue période. Placez le dispositif de retenue pour enfants amélioré dans un lieu frais et sec, hors de portée des enfants.

Ne touchez pas aux connecteurs du harnais pendant le nettoyage.
gracobaby.eu
www.gracobaby.pl

Informations sur le produit

Mode face à l'arrière

1. C'est un système de retenue pour enfants amélioré avec ceinture universelle. Il est approuvé conformément à la réglementation UN n°129 pour une utilisation principalement dans des « positions de sièges universels » comme indiqué par le constructeur du véhicule dans le manuel de l'utilisateur du véhicule.

2. En cas de doute, consultez le fabricant du système de retenue pour enfants amélioré ou le distributeur.

Mode face à l'avant

1. Il s'agit d'un système de retenue pour enfants amélioré à rehausseur i-Size. Il est approuvé conformément à la réglementation UN n°129 pour une utilisation principalement dans des « positions de sièges i-Size » comme indiqué par le constructeur du véhicule dans le manuel de l'utilisateur du véhicule.

2. En cas de doute, consultez le

fabricant du système de retenue pour enfants amélioré ou le distributeur.

Matériaux Plastiques, métaux, tissus

N° de brevet Brevets en attente

Remarques sur l'installation

Voir images **1** - **3**

1 N'installez pas ce dispositif de retenue pour enfants sur des sièges de véhicule tournés sur le côté ou face à l'arrière par rapport à la direction de déplacement du véhicule.

Il est recommandé d'installer ce dispositif de retenue pour enfants sur le siège arrière du véhicule.

N'installez PAS ce siège de bébé sur des sièges de véhicule amovibles lors de l'installation.

2 NE placez PAS un dispositif de retenue pour enfants face à l'arrière sur un siège avant avec un airbag, car cela peut créer des risques de blessure ou de mort. Veuillez vous reporter au manuel

de l'utilisateur du véhicule pour plus d'informations.

3 Ce dispositif de retenue pour enfants convient uniquement aux sièges de véhicules équipés d'une ceinture de sécurité à 3 points à enrouleur seulement.

NE PAS installer ce dispositif de retenue pour enfants sur des sièges de véhicules équipés d'une ceinture abdominale.

Utilisation du dispositif de protection contre les chocs latéraux

Voir images **4** - **5**

4 Le dispositif de retenue pour enfants amélioré est livré avec un dispositif de protection contre les chocs latéraux amovible. Ce dispositif de protection contre les chocs latéraux doit être utilisé du côté de la porte du véhicule pour une protection optimale.

5 Appuyez sur le bouton d'ouverture pour retirer le dispositif de protection contre les chocs latéraux.

Réglage de l'inclinaison

Voir images **6** - **7**

6 Appuyez sur la poignée de réglage de l'inclinaison et ajustez le dispositif de retenue pour enfants amélioré à la bonne position.

7 Les angles d'inclinaison sont illustrés en **7**

Il y a deux angles d'inclinaison 5-6 pour le mode face à l'arrière.

Il y a quatre angles d'inclinaison 1-4 pour le mode face à l'avant.

Alignez l'indicateur d'inclinaison supérieur avec les chiffres inférieurs à la position d'inclinaison souhaitée.

Réglage de la hauteur du repose-tête et du harnais pour épaules

Voir images **8** - **10**

8 En cas d'utilisation face à l'arrière, la hauteur des harnais d'épaules doit être au niveau ou en dessous

du sommet des épaules de l'enfant.

Si les harnais d'épaules ne sont pas à la bonne hauteur, l'enfant pourrait être éjecté du dispositif de retenue pour enfants amélioré en cas d'accident.

9 En cas d'utilisation en mode face à l'avant, les guides de la ceinture d'épaules doivent être à niveau avec ou juste au-dessus des épaules de l'enfant.

Veillez ajuster le repose-tête et les harnais d'épaules à la bonne hauteur selon la taille de votre enfant.

10 Appuyez sur le levier de réglage du repose-tête **10** -1, tout en tirant le repose-tête vers le haut ou le bas jusqu'à ce qu'il s'enclenche dans l'une des positions. Les positions du repose-tête sont indiquées dans **10** -2

Lorsque le repose-tête est réglé vers le haut (de la 6ème à la 9ème position), les côtés du dispositif de retenue pour enfants se déplacent automatiquement vers l'extérieur pour offrir plus d'espace pour les épaules.

Mode face à l'arrière (Taille de l'enfant entre 40 cm et 105 cm / Poids de l'enfant ≤ 22kg)

Voir images **11** - **21**

Il faut installer le dispositif de retenue pour enfants sur le siège arrière du véhicule avant d'y mettre l'enfant.

Installation en mode face à l'arrière

Veillez régler le dispositif de retenue pour enfants amélioré à la position d'inclinaison souhaitée (2 positions pour le mode face à l'arrière). Alignez l'indicateur d'inclinaison supérieur avec l'un des chiffres blancs en bas.

Vérifiez que les harnais d'épaules sont à la bonne hauteur avant d'installer ce dispositif de retenue pour enfants amélioré.

Lorsque vous installez et ajustez les ceintures de sécurité, vérifiez que la ceinture d'épaules et la ceinture abdominale ne sont pas tordues et ne bloquent pas le bon fonctionnement des ceintures de sécurité.

11 Assurez-vous que la ceinture abdominale du véhicule passe à travers les fentes de la ceinture de sécurité du véhicule.

12 Puis engagez la languette de la boucle dans la boucle correctement.

La ceinture abdominale du véhicule doit passer sous le support corporel.

13 Passez la ceinture d'épaules du véhicule dans les deux fentes de ceinture du véhicule face à l'arrière situées à l'arrière du dispositif de retenue pour enfants amélioré.

14 Ouvrez le verrou de la ceinture et insérez la ceinture d'épaules à travers celle-ci.

Assurez-vous que le verrouillage de la ceinture est complètement fermé lorsqu'elle n'est pas utilisée pour éviter les blessures ou endommager l'intérieur du véhicule.

15 Appuyez fermement sur le dispositif de retenue pour enfants amélioré et tirez sur la ceinture d'épaules du véhicule pour fixer fermement le dispositif de retenue pour enfants amélioré.

15 -1 & **15** -2

Assurez-vous que le dispositif de verrouillage est bien fermé après avoir vérifié que le dispositif de retenue pour enfants amélioré est bien fixé. **15** -3 & **15** -4

Pour éviter de vous blesser, retirez vos doigts lorsque vous fermez le dispositif de verrouillage.

Le dispositif de retenue pour enfants amélioré ne peut pas être utilisé si la boucle de ceinture de sécurité du véhicule (extrémité femelle de la boucle) est trop longue pour fixer le dispositif de retenue pour enfants amélioré de façon sûre.

Vérifiez deux fois que le dispositif de retenue pour enfants amélioré est solidement installé et qu'il ne bouge pas sur le siège du véhicule.

16 La ceinture de sécurité du véhicule correctement installée

est indiquée dans **16**

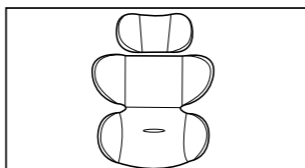
Veillez vous assurer que la ceinture abdominale du véhicule passe à travers la fente de ceinture abdominale du véhicule. **16** -1

Veillez vous assurer que la ceinture d'épaules du véhicule passe à travers la fente pour la ceinture de sécurité du véhicule face à l'arrière. **16** -2

La languette de la boucle de la ceinture du véhicule est correctement engagée dans la boucle, comme indiqué dans

16 -3

Sécuriser votre enfant dans le dispositif de retenue pour enfants en utilisant le support corporel et le coussin du repose-tête



Nous vous recommandons d'utiliser le coussin du repose-tête et le support corporel lorsque la taille de bébé est moins de 60 cm ou lorsqu'il dépasse du support corporel. Le coussin du repose-tête et le support corporel augmentent la protection contre les chocs latéraux.

17 Tout en appuyant sur le bouton de réglage du harnais, tirez complètement les deux harnais d'épaules du dispositif de retenue pour enfants amélioré.

18 Appuyez sur le bouton pour détacher la boucle.

19 Attachez les boucles de chaque côté du siège pour que le placement du bébé soit plus pratique.

Placez l'enfant dans le dispositif de retenue pour enfants amélioré et passez les deux bras à travers le harnais.

20 Engagez la boucle.

21 Tirez la toile d'ajustement vers vous pour l'ajuster à la bonne longueur et assurez-vous que votre enfant est bien attaché.

Une fois l'enfant assis, vérifiez à nouveau que les harnais d'épaules sont à la bonne hauteur.

Maintenez toujours l'enfant attaché dans le harnais et correctement serré en éliminant le jeu éventuel.

Mode face à l'avant (Taille de l'enfant entre 100 cm et 145 cm)

Voir images **22** - **25**

Installation en mode face à l'avant

Lorsqu'il est utilisé en mode face à l'avant, veuillez retirer le support corporel et placer les sangles du harnais d'épaules, la boucle et la languette de la boucle dans les compartiments de rangement du harnais.

Le coussin du repose-tête peut être utilisé en fonction du confort de la tête de l'enfant.

Veillez ajuster les harnais d'épaules à la longueur appropriée avant de ranger les sangles d'épaules ainsi que la boucle dans leurs compartiments de rangement.

Veillez régler le dispositif de retenue pour enfants amélioré dans la position d'inclinaison souhaitée. (4 positions pour le mode face à l'avant). Alignez l'indicateur d'inclinaison supérieur avec l'un des chiffres blancs en

bas.

Lors de l'utilisation et du réglage de la ceinture de sécurité du véhicule, vérifiez qu'il n'y a pas de torsion dans la ceinture de sécurité du véhicule qui pourrait causer une mauvaise fixation de votre enfant.

Appuyez sur le bouton pour détacher la boucle, comme indiqué dans **18**

Retirez la sangle d'entrejambe comme indiqué dans **28** puis le support corporel.

Lorsque vous installez le dispositif de retenue pour enfants amélioré en mode face à la route, n'utilisez pas le support corporel. Le coussin du repose-tête peut être utilisé en fonction du confort de la tête de l'enfant.

Veillez toujours garder la couverture de la ceinture d'entrejambe pour éviter toute perte.

22 Détachez les fixations. **22** -1

Soulevez le rabat supérieur vers le haut et tirez le rabat inférieur vers l'avant, puis rangez les ceintures d'épaules dans leurs

compartiments de rangement.

22 -2

Tirez la boucle vers l'arrière du coussin de siège, puis rangez la boucle et les languettes de la ceinture de sécurité du véhicule qui pourraient causer une mauvaise fixation de votre enfant.

22 -3 & **22** -4

23 Rattachez les boutons-pression pour recouvrir le coussin du siège. Le coussin de siège recouvert est illustré dans **23**

Attacher votre enfant dans le dispositif de retenue pour enfants

Veillez vérifier si les guides de la ceinture d'épaules du véhicule sont à la bonne hauteur lorsque l'enfant est dans le dispositif de retenue pour enfants amélioré.

24 Faites passer la ceinture d'épaule dans le guide de la ceinture d'épaule et faites passer la ceinture abdominale dans les fentes de ceinture abdominale du véhicule. Engagez la boucle du véhicule et tirez sur la ceinture du véhicule pour vous assurer qu'elle est bien serrée. **24** **25**

La ceinture d'épaule doit passer dans le guide de la ceinture d'épaule. **24** -1

La ceinture abdominale doit passer dans le trou pour la ceinture abdominale

Le dispositif de retenue pour enfants amélioré ne peut pas être utilisé si la boucle de ceinture de sécurité du véhicule (extrémité femelle de la boucle) est trop longue pour fixer le dispositif de retenue pour enfants amélioré de façon sûre. **24** -2

NE JAMAIS utiliser une ceinture de sécurité à 2 points (ceinture abdominale uniquement) pour attacher votre enfant.

NE PAS utiliser une ceinture d'épaule desserrée ou placée sous les bras.

NE PAS utiliser une ceinture d'épaule derrière le dos de l'enfant.

NE PAS laisser l'enfant glisser vers le bas dans le dispositif de retenue amélioré afin d'éviter tout risque d'étranglement.

Détacher les parties souples

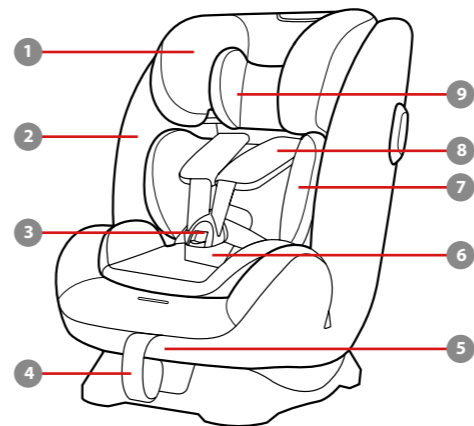
Voir images **26** - **34**

26 Appuyez sur le bouton rouge pour désengager la boucle.

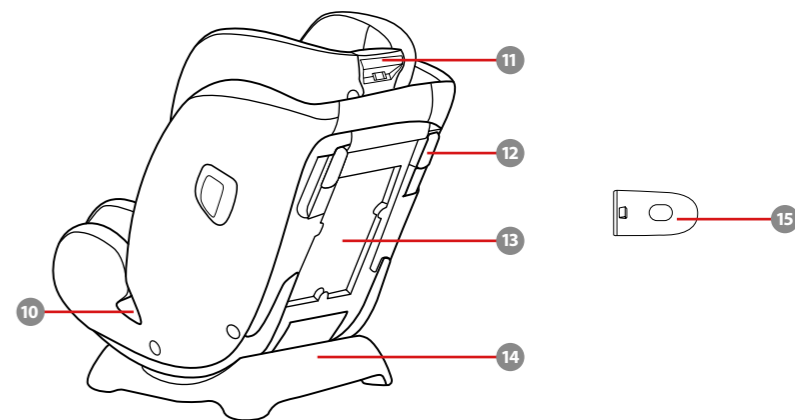
Suivez les étapes **27** - **34** pour détacher les parties souples.

Pour fixer à nouveau les parties souples, veuillez répéter les étapes ci-dessus dans l'ordre inverse.

Teileliste



- 1 Kopfstütze
- 2 Sitz
- 3 Verschluss
- 4 Gurtverstellriemen
- 5 Griff zur Neigungsanpassung
- 6 Schrittgurtabdeckung
- 7 Körperstütze
- 8 Schultergurtabdeckungen
- 9 Kissen der Kopfstütze
- 10 Fahrzeuggurtschlitz
- 11 Kopfstützenversteller



- 12 Fahrzeuggurt-Arretierung
- 13 Fach für Bedienungsanleitung
- 14 Basis
- 15 Seitlicher Aufprallschutz
(*darf nur an Türseite genutzt werden)

WICHTIG

LESEN SIE DIE ANWEISUNGEN VOR DER BENUTZUNG AUFMERKSAM DURCH, BEWAHREN SIE SIE ZUM KÜNFTIGEN NACHSCHLAGEN AUF DIE SICHERHEIT IHRES KINDES STEHT AUF DEM SPIEL, FALLS SIE DIESE ANWEISUNGEN IGNORIEREN.

⚠️ WARNUNG:
WICHTIG, ZUR KÜNFTIGEN BEZUGNAHME AUFBEWAHREN: SORGFÄLTIG LESEN.

Darauf achten, dass starre Teile und Kunststoffteile des erweiterten Kinderrückhaltesystems so platziert und installiert sind, dass sie nicht von einem beweglichen Sitz oder in der Fahrzeugtür eingeklemmt werden.

Verwenden Sie entgegen der Fahrtrichtung ausgerichtete Kinderrückhaltesysteme NICHT in Sitzpositionen, an denen ein aktiver Front-Airbag installiert ist.

Zur Nutzung dieses fortschrittlichen Kinderrückhaltesystems entsprechend der UN-Richtlinie Nr. 129 muss Ihr Kind die folgenden Voraussetzungen erfüllen.

Blick gegen die Fahrtrichtung: Körpergröße des Kindes 40 bis 105 cm/

max. 22kg

Blick in Fahrtrichtung: Körpergröße des Kindes 100 bis 145 cm/ 15 bis 36 kg

Das fortschrittliche Kinderrückhaltesystem passt bei Verwendung in einigen Positionen möglicherweise nicht in alle zugelassenen Fahrzeuge.

Die Gurte, die das fortschrittliche Kinderrückhaltesystem im Fahrzeug sichern, müssen richtig befestigt sind; die Gurte, die das Kind halten, müssen an den Körper des Kindes angepasst und dürfen nicht verdreht sein.

Bringen Sie den Sicherheitsgurt richtig an, nachdem Sie Ihr Kind in dieses fortschrittliche Kinderrückhaltesystem gesetzt haben. Stellen Sie sicher, dass der Beckengurt so tief wie möglich angelegt ist, damit das Becken sicher gehalten wird.

Dieses Kinderrückhaltesystem sollte ersetzt werden, wenn sie übermäßiger Belastung in einem Unfall ausgesetzt waren. Ein Unfall kann es beschädigen, ohne sichtbare Spuren aufzuweisen.

Beachten Sie die Gefahren durch nicht von einer zuständigen Stelle zugelassenen Veränderungen oder Ergänzungen an diesem

Produkt. Beachten Sie außerdem die Gefahren bei Nichteinhaltung der Installationsanweisungen des Herstellers eines Kinderrückhaltesystems.

Bitte platzieren Sie dieses fortschrittliche Kinderrückhaltesystem nicht im direkten Sonnenlicht; andernfalls kann es zu heiß für die Haut Ihres Kindes werden. Fassen Sie das Kinderrückhaltesystem immer erst an, bevor Sie das Kind hineinsetzen.

Lassen Sie Ihr Kind niemals unbeaufsichtigt in diesem fortschrittlichen Kinderrückhaltesystem zurück.

Gepäck und andere Gegenstände, die bei einem Unfall Verletzungen verursachen könnten, sollten angemessen gesichert werden.

Das fortschrittliche Kinderrückhaltesystem sollte NICHT ohne die Textilteile verwendet werden.

Die Textilteile sollten ausschließlich durch die vom Hersteller empfohlenen Teile ersetzt werden, da sie das Verhalten des Kinderrückhaltesystems wesentlich beeinflussen.

Bitte vergewissern Sie sich, dass dieses fortschrittliche Kinderrückhaltesystem

richtig in Ihrem Fahrzeug installiert werden kann.

KEIN Kinderrückhaltesystem kann vollständigen Schutz vor Verletzungen bei einem Unfall garantieren. Dennoch reduziert der ordnungsgemäße Einsatz dieses fortschrittlichen Kinderrückhaltesystems die Gefahr ernsthafter oder tödlicher Verletzungen Ihres Kindes.

Installieren oder verwenden Sie das verstärkte Kinderrückhaltesystem NICHT, ohne die Anweisungen in dieser Anleitung zu befolgen; andernfalls drohen Ihrem Kind ernsthafte oder gar tödliche Verletzungen.

Verwenden Sie dieses verstärkte Kinderrückhaltesystem NICHT, falls es beschädigt ist oder Teile fehlen.

Ziehen Sie Ihrem Kind beim Einsatz dieses verstärkten Kinderrückhaltesystems im Fahrtrichtung-Modus KEINE übergroßen Kleidungsstücke an; andernfalls kann Ihr Kind nicht ordnungsgemäß und zuverlässig über die Schultergurte und den Schrittgurt zwischen den Beinen gesichert werden.

WICHTIG – NICHT VORWÄRTS

GERICHTET VERWENDEN, BEVOR DAS KIND MINDESTENS 100 CM IST (siehe Anweisungen).

Pflege und Wartung

Bitte bewahren Sie den Schaumstoff des Babyesatzes nach Entfernen außerhalb der Reichweite des Kindes auf.

Bitte waschen Sie die Textilteile mit kaltem Wasser unter 30 °C.

Sie dürfen die Textilteile nicht bügeln.

Sie dürfen die Textilteile nicht bleichen oder in die chemische Reinigung geben.

Reinigen Sie dieses Kinderrückhaltesystem nicht mit unverdünnten neutralen Reinigungsmitteln, Benzin oder anderen organischen Lösungsmitteln. Diese können das Kinderrückhaltesystem beschädigen.

Wringen Sie die Textilteile nicht kräftig aus. Andernfalls könnten an den Textilteilen Falten zurückbleiben.

Bitte hängen Sie die Textilteile zum Trocknen im Schatten auf.

Bitte entfernen Sie fortschrittliches

Kinderrückhaltesystem und Basis vom Fahrzeugsitz, wenn es längere Zeit nicht verwendet wird. Bewahren Sie das fortschrittliche Kinderrückhaltesystem an einem kühlen, trockenen Ort außerhalb der Reichweite des Kindes auf.

Nehmen Sie während der Reinigung keine Änderungen an den Gurtbefestigungen vor.

gracobaby.eu
www.gracobaby.pl

Produktinformationen

Rückwärts gerichteter Modus

1. Dies ist ein universelles verbessertes Kinderrückhaltesystem mit Gurt. Es ist gemäß UN-Richtlinie Nr. 129 primär für die Verwendung in „universellen“ Sitzpositionen zugelassen, wie vom Fahrzeughersteller im Handbuch Ihres Fahrzeugs aufgeführt ist.
2. Bitte wenden Sie sich im Zweifelsfall an den Hersteller oder Händler des verstärkten Kinderrückhaltesystems.

Vorwärts gerichteter Modus

1. Diese Sitzhöhung ist ein verstärktes „i-Size“-Kinderrückhaltesystem. Es ist gemäß UN-Regelung Nr.129 primär für die Verwendung in „i-Size“-Sitzpositionen zugelassen, wie vom Fahrzeughersteller im Handbuch Ihres Fahrzeugs aufgeführt ist.
2. Bitte wenden Sie sich im Zweifelsfall an den Hersteller oder Händler des verstärkten

Kinderrückhaltesystems.

Materialien Kunststoff, Metall, Stoff

Patent-Nr. Patente angemeldet

Bei der Installation zu beachten

Siehe Abbildungen 1 - 3

- 1 Installieren Sie dieses Kinderrückhaltesystem NICHT auf Fahrzeugsitzen, die in Bezug auf die Bewegungsrichtung des Fahrzeugs zur Seite oder nach hinten gerichtet sind.

Sie sollten dieses Kinderrückhaltesystem auf einem hinteren Fahrzeugsitz installieren.

Installieren Sie dieses Kinderrückhaltesystem NICHT auf Fahrzeugsitzen, die sich während der Installation bewegen.

- 2 Platzieren Sie ein nach hinten gerichtetes Kinderrückhaltesystem NICHT auf einem vorderen Sitz mit Airbag, da andernfalls ernsthafte oder sogar tödliche Verletzungen auftreten können. Weitere Informationen entnehmen Sie

bitte dem Fahrzeughandbuch.

- 3** Dieses Kinderrückhaltesystem eignet sich nur für Fahrzeugsitze mit 3-Punkt-Sicherheitsgurt. Installieren Sie dieses Kinderrückhaltesystem NICHT auf Fahrzeugsitzen mit Beckengurt.

Seitlichen Aufprallschutz verwenden

Siehe Abbildungen **4** - **5**

- 4** Das fortschrittliche Kinderrückhaltesystem wird mit abnehmbarem seitlichem Aufprallschutz geliefert. Dieser seitliche Aufprallschutz muss für optimalen Schutz auf der Türseite des Fahrzeugs verwendet werden.

- 5** Drücken Sie zum Entfernen des seitlichen Schutz den Freigabeknopf.

Neigungseinstell

Siehe Abbildungen **6** - **7**

- 6** Drücken Sie den Griff zur Neigungsanpassung und

setzen Sie das fortschrittliche Kinderrückhaltesystem auf eine geeignete Position.

- 7** Die Neigungswinkel werden dargestellt in **7**

Die zwei Neigungswinkel 5 bis 6 sind für den rückwärts gerichteten Modus vorgesehen.

Die vier Neigungswinkel 1 bis 4 sind für den vorwärts gerichteten Modus vorgesehen.

Richten Sie die oberen Neigungsanzeige mit den Zahlen darunter auf die gewünschte Neigungsposition aus.

Höhenanpassung für Kopfstütze und Schultergurte

Siehe Abbildungen **8** - **10**

- 8** Verwendung im rückwärts gerichteten Modus müssen die Schultergurte gleich hoch wie die Oberseite der Schultern des Kindes oder knapp darunter verlaufen.

Wenn sich die Schultergurte nicht in der richtigen Höhe

befinden, könnte das Kind bei einem Unfall aus dem verstärkten Kinderrückhaltesystem geschleudert werden.

- 9** Bei Verwendung im vorwärts gerichteten Modus müssen die Schultergurtführungen gleich hoch wie die Oberseite der Schultern des Kindes oder knapp darüber verlaufen.

Stellen Sie die Kopfstütze und die Schultergurte je nach Körpergröße des Kindes bitte auf die richtige Höhe ein.

- 10** Drücken Sie den Kopfstützenversteller **10** -1, zusammen, während Sie die Kopfstütze nach oben ziehen oder nach unten drücken, bis sie in einer Position einrastet. Die Positionen der Kopfstütze sind dargestellt in **10** -2

Bei Anpassung der Kopfstütze nach oben (von der 6. bis zur 9. Position) bewegen sich die Seiten des Kinderrückhaltesystems automatisch nach außen, damit die Schultern mehr Platz erhalten.

Rückwärts gerichteter Modus (Körpergröße des Kindes 40 – 105 cm/ Gewicht des Kindes ≤ 22 kg)

Siehe Abbildungen **11** - **21**

Installieren Sie das Kinderrückhaltesystem am Rücksitz eines Fahrzeugs, und setzen Sie das Kind dann in das Kinderrückhaltesystem.

Installation für den rückwärts gerichteten Modus

Bitte passen Sie das verstärkte Kinderrückhaltesystem auf die gewünschte Neigungsposition an (2 Positionen beim rückwärts gerichteten Modus). Richten Sie Neigungsanzeige oben mit den weißen Zahlen darunter aus.

Achten Sie darauf, dass der Schultergurt auf die richtige Höhe angepasst ist, bevor Sie dieses verstärkte Kinderrückhaltesystem installieren.

Achten Sie beim Installieren und Anpassen der Sicherheitsgurte

darauf, dass sowohl Schultergurt als auch Beckengurt nicht verdreht sind und die Funktion der Sicherheitsgurte nicht beeinträchtigen.

- 11** Führen Sie den Beckengurt des Fahrzeugs durch die Fahrzeug-Beckengurtschlitze.

- 12** Stecken Sie dann die Steckzunge in das Gurtschloss.

Der Fahrzeug-Beckengurt muss unter der Körperstütze hindurchgeführt werden.

- 13** Führen Sie den Fahrzeugsicherheitsgurt durch die beiden nach hinten gerichteten Fahrzeuggurtschlitze an der Rückseite des verstärkten Kinderrückhaltesystems.

- 14** Öffnen Sie die Gurtsperre und führen Sie den Schultergurt hindurch.

Vergewissern Sie sich, dass die Gurtsperre komplett geschlossen ist, wenn sie nicht verwendet wird; ansonsten kann es zu Verletzungen kommen oder die Polsterung des Fahrzeugs beschädigt werden.

- 15** Drücken Sie das verstärkte

Kinderrückhaltesystem sicher nach unten und ziehen Sie den Fahrzeugschultergurt zur sicheren Befestigung des verstärkten Kinderrückhaltesystems. **15** -1 & **15** -2

Achten Sie darauf, die Arretierung nach Prüfung der sicheren Befestigung des verstärkten Kinderrückhaltesystems zu verschließen. **15** -3 & **15** -4

Achten Sie darauf, dass Ihre Finger beim Schließen der Sperre nicht eingequetscht und dabei verletzt werden können.

Das verstärkte Kinderrückhaltesystem kann nicht verwendet werden, wenn der Verschluss (Gurtschloss) des Fahrzeugsicherheitsgurt zu lang ist, um das fortschrittliche Kinderrückhaltesystem fest zu verankern.

Vergewissern Sie sich, dass das verstärkte Kinderrückhaltesystem sicher installiert ist und sich nicht auf dem Fahrzeugsitz bewegt.

- 16** Siehe richtig montierter Fahrzeuggurt in **16**

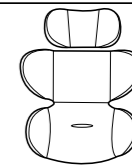
Vergewissern Sie sich, dass der

Beckengurt Fahrzeugs durch den Schlitz des Taillengurts im Fahrzeug läuft. **16** -1

Vergewissern Sie sich, dass der Schultergurt des Fahrzeugs durch den rückwärts gerichteten Schlitz des Fahrzeuggurts läuft. **16** -2

Die Steckzunge des Fahrzeugs sitzt korrekt im Gurtschloss, siehe **16** -3

Ihr Kind im Kinderrückhaltesystem sichern Körperstütze und Kissen der Kopfstütze verwenden



Wir empfehlen, das Kissen der Körperstütze und die Körperstütze zu verwenden, solange das Baby kleiner als 60 cm ist. Die Komponenten können verwendet werden, bis das Kind aus der Körperstütze herausgewachsen ist. Das Kissen der Kopfstütze und die Körperstütze verbessern den Seitenaufprallschutz.

17 Ziehen Sie die beiden Schultergurte des fortschrittlichen Kinderrückhaltesystems vollständig heraus, während Sie den Gurteinstellknopf gedrückt halten.

18 Drücken Sie den Knopf zum Lösen der Schnalle.

19 Befestigen Sie die Schnallen an beiden Seiten des Sitze, damit sich das Baby komfortabler hineinsetzen lässt. Setzen Sie das Kind in das fortschrittliche Kinderrückhaltesystem und führen Sie beide Arme durch die Gurte.

20 Schließen Sie die Schnalle.

21 Ziehen Sie die Gurtführung zu sich und stellen Sie sie auf die passende Länge ein, sodass Ihr Kind sicher gehalten wird.

Prüfen Sie nach Hineinsetzen des Kindes noch einmal, ob sich der Schultergurt auf der richtigen Höhe befindet.

Achten Sie stets darauf, dass Ihr Kind sicher angeschnallt und gut befestigt ist, indem Sie jeglichen Durchhang beseitigen.

Vorwärts gerichteter Modus (Körpergröße des Kindes 100 – 145 cm)

Siehe Abbildungen **22** - **25**
Installation für den vorwärts gerichteten Modus

Bei Verwendung in Fahrtrichtung entfernen Sie bitte die Körperstütze und platzieren Sie Schultergurtriemen, Schnalle und Steckungen im Gurt in den Aufbewahrungsfächern für den Gurt.

Das Kissen der Kopfstütze kann verwendet werden, wenn der Kopf des Kindes komfortabel Platz findet.

Stellen Sie die Schultergurte bitte auf eine passende Länge ein, bevor Sie die Schultergurte und den Verschluss in ihren Ablagefächern verstauen.

Bitte passen Sie das verstärkte Kinderrückhaltesystem auf die gewünschte Neigungsposition an. (4 Positionen für den vorwärts gerichteten Modus). Richten Sie Neigungsanzeige oben mit den

weißen Zahlen darunter aus.

Prüfen Sie bei Verwendung und Anpassung des Fahrzeuggurtes, dass der Fahrzeuggurt nicht verdreht ist; andernfalls lässt sich Ihr Kind möglicherweise nicht richtig sichern.

Drücken Sie den Knopf zum Lösen der Schnalle, siehe **18**

Entfernen Sie den Schrittgurt, wie in **28** dargestellt, und anschließend die Körperstütze.

Verwenden Sie bei Installation des fortschrittlichen Kinderrückhaltesystems in Fahrtrichtung nicht die Körperstütze. Das Kissen der Kopfstütze kann verwendet werden, wenn der Kopf des Kindes komfortabel Platz findet.

Bewahren Sie den Schrittgurt gut auf, damit er nicht verloren geht.

22 Die Druckknöpfe öffnen. **22** -1
Heben Sie die obere Lasche hoch und ziehen Sie die untere Lasche nach vorne; verstauen Sie dann die Schultergurte in ihren Ablagefächern. **22** -2

Ziehen Sie die Schnalle zur

Rückseite des Sitzpolsters und bewahren Sie Schnalle und Steckungen dann in den entsprechenden Aufbewahrungsfächern auf.

22 -3 & **22** -4

23 Schließen Sie die Druckknöpfe wieder, damit das Sitzpolster wieder einsatzbereit ist. Das zusammengefügte Sitzpolster ist abgebildet in **23**

Kind im Kinderrückhaltesystem sichern

Bitte prüfen Sie, ob sich die Schultergurtführungen des Fahrzeugs auf der richtigen Höhe befinden, wenn sich das Kind im verstärkten Kinderrückhaltesystem befindet.

24 Führen Sie den Schultergurt durch die Schultergurtführung und den Beckengurt durch die Beckengurtschlitze des Fahrzeugs. Schließen Sie den Verschluss des Fahrzeuggurtes und vergewissern Sie sich, dass er fest anliegt.

24 **25**

Der Schultergurt muss durch die Schultergurtführung laufen.

24 -1

Der Beckengurt muss durch den Beckengurtschlitz verlaufen.

Das verstärkte Kinderrückhaltesystem kann nicht verwendet werden, wenn der Verschluss (Gurtschloss) des Fahrzeugsicherheitsgurtes zu lang ist, um das verstärkte Kinderrückhaltesystem fest zu verankern. **24** -2

Verwenden Sie zur Sicherung Ihres Kindes NIEMALS einen 2-Punkt-Fahrzeuggurt (reiner Beckengurt).

Verwenden Sie den Schultergurt NICHT locker oder unter dem Arm positioniert.

Verwenden Sie den Schultergurt NICHT hinter dem Rücken des Kindes.

Lassen Sie Ihr Kind NICHT unbeaufsichtigt im verstärkten Kinderrückhaltesystem herunterrutschen, wenn Strangulationsgefahr droht.

Textilteile entfernen

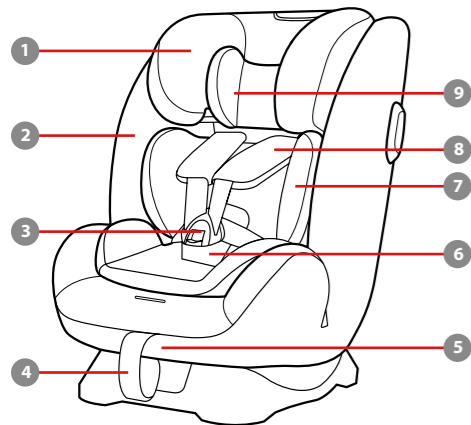
Siehe Abbildungen **26** - **34**

26 Drücken Sie den roten Knopf zum Lösen der Schnalle.

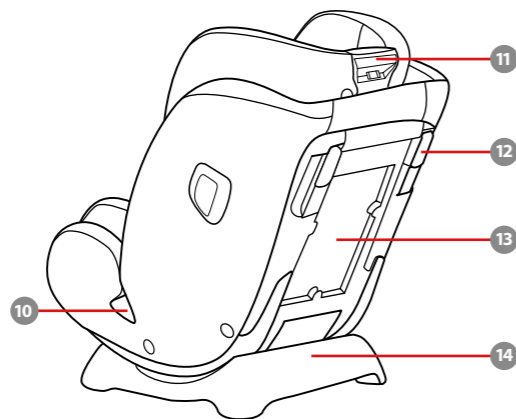
Befolgen Sie zum Entfernen der Textilteile die Schritte **27** - **34**.

Bringen Sie die Textilteile wieder an, indem Sie die obigen Schritte in umgekehrter Reihenfolge befolgen.

Onderdelenlijst



- 1 Hoofdsteen
- 2 Zitting
- 3 Gesp
- 4 Instelriem gordel
- 5 Instelhendel schuinstand
- 6 Afdekking kruisriemen
- 7 Lichaamsondersteuning
- 8 Afdekkingen schouderriemen
- 9 Kussen hoofdsteen
- 10 Heupgordelsleuven voertuig
- 11 Instelhendel voor hoofdsteen



- 12 Vergrendeling autogordel
- 13 Opslagvak instructiehandleiding
- 14 Voetstuk
- 15 Bescherming voor inslag opzij
(*mag alleen aan deurszijde worden gebruikt)



BELANGRIJK

LEES DEZE INSTRUCTIES VÓÓR HET GEBRUIK EN BEWAAR ZE OM ZE LATER TE KUNNEN RAADPLEGEN. HET NIET VOLGEN VAN DEZE INSTRUCTIES KAN GEVOLGEN HEBBEN VOOR DE VEILIGHEID VAN UW KIND.

⚠ WAARSCHUWING: BELANGRIJK, BEWAAREN VOOR LATER GEBRUIK: AANDACHTIG LEZEN.

ZORG ERVOOR dat de stugge items en plastic onderdelen van het verbeterde kinderzitstelsel zo moeten worden geplaatst en geïnstalleerd dat ze niet klem kunnen komen door een verplaatsbare stoel of in een deur van het voertuig.

Gebruik NIET de naar achteren kijkende verbeterde kinderzitstelsels in stoelposities waarbij een actieve frontale airbag is geïnstalleerd.

Om dit verbeterde kinderzitje volgens de VN-verordening nr. 129 te kunnen gebruiken, moet uw kind aan de volgende voorwaarden voldoen.

Naar achteren kijkend: Lengte kind 40cm-105cm/ max. 22kg

Naar voren kijkend: Lengte kind 100cm

- 145cm / 15kg - 36kg

Het verbeterde kinderzitje past wellicht niet in alle goedgekeurde voertuigen bij gebruik in sommige standen.

Alle riemen waarmee het verbeterde kinderzitje aan het voertuig is bevestigd, moeten strak zitten, riemen die het kind vasthouden, moeten zijn afgesteld op het lichaam van het kind, en de riemen mogen niet verdraaid zijn.

Nadat uw kind in dit verbeterde kinderzitje is geplaatst, moet de veiligheidsriem op de juiste manier worden gebruikt. Zorg ervoor dat elke middelriem laag wordt gedragen, zodat het bekken stevig vast zit.

Dit verbeterde kinderzitje moet worden vervangen als ze onderworpen zijn geweest aan zware spanningen bij een ongeluk. Een ongeluk kan daar schade aan veroorzaken die u niet kunt zien.

Houd rekening met het gevaar van het aanbrengen van veranderingen of aanvullingen aan het apparaat zonder goedkeuring van de aangewezen instantie, en het gevaar van het niet nauwkeurig volgen van de aanwijzingen als geleverd door

de fabrikant van het verbeterde kinderzitje.

Houd dit verbeterde kinderzitje uit de buurt van zonlicht, anders kan het te heet worden voor de huid van uw kind. Raak het verbeterde kinderzitje altijd aan voordat u het kind erin plaatst.

Laat uw kind NOOIT zonder toezicht achter in het verbeterde kinderzitje.

Bagage en andere voorwerpen die in geval van botsing letsel kunnen veroorzaken, moeten goed zijn vastgezet.

GEBRUIK het verbeterde kinderzitje NIET zonder de zachte onderdelen.

Vervang de zachte onderdelen alleen door de onderdelen die door de fabrikant worden aanbevolen omdat de zachte onderdelen een integraal onderdeel vormen van de werking van het kinderzitje.

Controleer of dit verbeterde kinderzitje juist kan worden geïnstalleerd in uw voertuig voordat u het aanschaft.

GEEN ENKEL verbeterd kinderzitje biedt volledige bescherming tegen letsel bij een ongeluk. Maar het juiste gebruik van het verbeterde kinderzitje vermindert het risico van ernstig letsel

of de dood.

Installeer dit verbeterde kinderzitje NIET zonder de aanwijzingen en waarschuwingen in deze handleiding te volgen, anders brengt u uw kind ernstig in gevaar.

Gebruik dit verbeterde kinderzitje NIET als het is beschadigd of als onderdelen ontbreken.

Kleed uw kind NIET in te ruimzittende kleding, omdat dit kan voorkomen dat uw kind, goed en stevig wordt vastgezet met de schoudergordels en de kruisriem tussen de benen.

BELANGRIJK - GWEBRUIK HET NIET ALS KINDERSTOELMODUS VOORDAT HET KIND LANGER IS DAN 100 CM (raadpleeg instructies).

Verzorging en onderhoud

Nadat u het schuim uit het inzetstuk hebt verwijderd, moet u het ergens opbergen waar uw kind er niet bij kan.

Was de zachte onderdelen met koud water onder de 30°C.

De zachte voorwerpen niet strijken.

De zachte voorwerpen niet bleken of laten stomen.

Gebruik geen onverdund neutraal schoonmaakmiddel, benzine of andere organische materialen om het kinderzitje te wassen. Dat kan het kinderzitje beschadigen.

De zachte onderdelen niet draaien voor drogen met veel kracht. Dit kan kreuken achterlaten in de zachte onderdelen.

Laat zachte onderdelen hangend drogen in de schaduw.

Haal het verbeterde kinderzitje en de voet uit de autostoel als het voor langere tijd niet wordt gebruikt. Berg het verbeterde kinderzitje op een koele en droge plaats op, waar uw kind er niet bij kan.

Blijf tijdens het schoonmaken van de riemaansluitingen af.

gracobaby.eu
www.gracobaby.pl

Productinformatie

Achteruit kijkende modus

1. Dit is een universeel verbeterd kinderzitsysteem met gordel. Het is goedgekeurd volgens VN-verordening nr. 129 voor gebruik in voornamelijk "Universele zitstanden" zoals is aangegeven door de fabrikant van de auto in de handleiding.
2. Neem in geval van twijfel contact op met de fabrikant van het verbeterde kinderzitsysteem of de verkoper.

Vooruit kijkende modus

1. Dit is een i-Size kinderzitje met verbeterd veiligheidsriemsysteem. Het is goedgekeurd volgens VN-verordening nr. 129 voor gebruik in voornamelijk "i-Size-zitstanden" zoals is aangegeven door de fabrikant van de auto in de handleiding.
2. Neem in geval van twijfel contact op met de fabrikant van het verbeterde kinderzitsysteem of de verkoper.

Materiaal Kunststoffen, metaal, gewezen stoffen

Patentnr. Patent aangevraagd

Concerns on Installation

Zie afbeeldingen 1 - 3

1. Installeer dit kinderzitje NIET op stoelen die opzij of naar achteren kijken ten opzichte van de rijrichting van het voertuig. Aanbevolen wordt om dit kinderzitje op de autostoel achter te plaatsen.

Installeer het kinderzitje NIET op autostoelen die tijdens de installatie bewegen.

2. Plaats een achteruit kijkend kinderzitje NIET op een voorstoel met een airbag (Afb), omdat dit overlijden of ernstig letsel kan veroorzaken. Zie de handleiding van het voertuig voor meer informatie.

3. Dit kinderzitje is uitsluitend geschikt voor autostoelen met driepunts veiligheidsgordels.

Installeer het kinderzitje NIET op autostoelen met een heupgordel.

Gebruik de afscherming voor inslag opzij

Zie afbeeldingen 4 - 5

4. Dit verbeterde kinderzitje wordt geleverd met verwijderbare afscherming voor inslag opzij. Deze afscherming voor inslag opzij moet worden gebruikt aan de deurszijde van het voertuig voor de beste bescherming.

5. Druk op de ontgrendelknop om de bescherming voor inslag opzij te verwijderen.

Instelling schuine stand

Zie afbeeldingen 6 - 7

6. Druk op de hendel voor de instelling van de schuine stand en plaats het verbeterde kinderzitje in de juiste stand.
7. De hoeken van de stand zijn afgebeeld in afb. 7

Er zijn twee schuine standen 5-6 voor de achteruit kijkende stand.

Er zijn vier schuine standen 1-4 voor de vooruit kijkende stand.

Lijn de bovenste indicator voor schuinstand uit met de onderste nummers voor de gewenste schuinstand.

Hoogteafstelling voor hoofdsteun en schouderriemen

Zie afbeeldingen 8 - 10

8. Bij gebruik in de achteruit kijkende modus moet de hoogte voor de schouderriemen gelijklopen met of net onder de schouders van het kind staan.

Als de schouderriemen geen juiste hoogte hebben, kan het kind uit het verbeterde kinderzitje worden geworpen bij een ongeluk.

9. Bij gebruik in de vooruit kijkende stand moeten de sleuven voor de schouderriemen gelijklopen met of net boven de schouders van het kind liggen.

Stel de hoofdsteun en de

schouderriemen af op de juiste hoogte overeenkomstig de lengte van het kind.

10. Knijp in de hendel voor de afstelling van de hoofdsteun 10 -1, en trek de hoofdsteun tegelijkertijd omhoog of duw het omlaag tot het in een stand klikt. De standen van de hoofdsteun zijn afgebeeld in 10 -2

Wanneer de hoofdsteun omhoog wordt bijgesteld (vanaf de 6e-9e stand), bewegen de zijanten van het kinderzitje automatisch naar buiten om meer schouderruimte te bieden.

Achteruit kijkende modus

(Lengte kind 40cm-105cm/
gewicht kind ≤ 22kg)

Zie afbeeldingen 11 - 21

Installeer het kinderzitje op de autostoel en plaats het kind vervolgens in het kinderzitje.

Installatie voor achteruit kijkende modus

Stel het verbeterde kinderzitje af op de gewenste schuinstand (2 posities voor achteruit kijkende modus). Lijn de bovenste indicator voor schuinstand uit met een van de onderste witte nummers.

Zorg ervoor dat de schouderriem op de juiste hoogte is afgesteld voordat u dit verbeterde kinderzitje installeert.

Zorg er bij het installeren en afstellen van de veiligheidsriemen voor dat zowel de schouderriem als de heupgordel niet gedraaid zijn en de veilige werking van de veiligheidsriemen niet hinderen.

11. Voer de heupgordel van het voertuig door de sleuven van de heupgordel van het voertuig.
12. Koppel vervolgens de tong van de gesp van de auto in de gesp. De heupgordel van het voertuig moet onder de lichaamsondersteuning doorgaan.
13. Steek de schouderriem van het voertuig door de twee achteruit kijkende autogordelsleuven aan de achterkant van het verbeterde kinderzitje.

14. Open de riemvergrendeling en steek de schouderriem erdoor. Zorg ervoor dat de riemvergrendeling geheel gesloten is als deze niet in gebruik is om letsel, of schade aan de bekleding, te voorkomen.

15. Druk het verbeterde kinderzitje stevig omlaag en trek aan de schouderriem van het voertuig om het verbeterde kinderzitje stevig vast te zetten.

15 -1 & 15 -2

Zorg ervoor dat u de vergrendeling sluit na het controleren dat het verbeterde kinderzitje stevig is vastgezet.

15 -3 & 15 -4

Houd uw vingers weg bij het sluiten van de vergrendelingsklemmen om letsel te vermijden.

Het verbeterde kinderzitje kan niet worden gebruikt als de gesp van de veiligheidsriem (vrouwelijke gesp) te lang is om het verbeterde kinderzitje veilig vast te zetten.

Controleer nogmaals dat het verbeterde kinderzitje stevig is

geïnstalleerd en niet beweegt op de autostoel.

- 16** Een goed gemonteerde autoriem is afgebeeld in afb. **16**

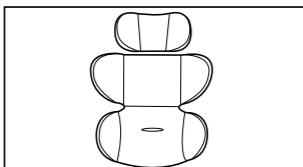
Zorg ervoor dat de heupgordel van het voertuig door de heupgordelsleuf van het voertuig gaat. **16** -1

Zorg ervoor dat de schouderriem van het voertuig door de achteruit kijkende autogordelsleuf gaat.

- 16** -2

De tong van de gesp van de auto zit op de juiste manier in de gesp, als in **16** -3

Het kind vastzetten in het kinderzitje met de lichaamsondersteuning en het kussen van de hoofdsteun



We adviseren het gebruik van het hoofdsteunkussen en de lichaamsondersteuning zolang de baby kleiner is dan 60cm of tot het te groot is voor de lichaamsondersteuning. Het hoofdsteunkussen en de lichaamsondersteuning vergroten de bescherming tegen zijdelingse inslagen.

- 17** Houd de instelknop voor de gordels ingedrukt en trek aan de twee schoudergordels van het verbeterde kinderzitje.

- 18** Druk op de knop om de riem te ontgrendelen.

- 19** Maak de gespen aan beide kanten van het zitje vast zodat u het kind gemakkelijker kunt plaatsen.

Zet het kind in het verbeterde kinderzitje en steek beide armen door de riemen..

- 20** Maak de gesp vast.

- 21** Trek de gordelinstelling naar u toe en stel hem op de juiste lengte af om ervoor te zorgen dat uw kind goed vast zit.

Nadat het kind in het zitje is geplaatst, moet u controleren of de schouderriemen op de juiste hoogte zitten.

Houd het kind altijd goed vast in de gordels door het wegnemen van alle vrije ruimte.

Vooruit kijkende modus

(Lengte kind 100cm-145cm)

Zie afbeeldingen **22** - **25**

Installatie voor vooruit kijkende modus

Bij gebruik in de vooruit kijkende stand moet u de lichaamsondersteuning verwijderen en de schoudergordels, gesp en gesptongen in de opbergvakken voor de gordels plaatsen.

Het kussen van de hoofdsteun kan worden gebruikt afhankelijk van of het hoofd van het kind wel of niet comfortabel is.

Pas de schouderriemen aan op de juiste lengte voordat u de schouderriemen en gesp opbergt.

Stel het verbeterde kinderzitje af op de gewenste schuinstand. (4 hellende standen voor de vooruit kijkende stand). Lijn de bovenste indicator voor schuinstand uit met een van de onderste witte nummers.

Tijdens het gebruiken en afstellen van de veiligheidsgordel moet u controleren dat de veiligheidsgordel niet gedraaid is waardoor uw kind onjuist vastgezet zou kunnen worden.

Druk op de knop om de riem te ontgrendelen als **18**

Verwijder de kruisriem als getoond in **23** en vervolgens de lichaamsondersteuning.

Gebruik niet de lichaamsondersteuning als u het verbeterde kinderzitje in de vooruit kijkende modus installeert. Het kussen van de hoofdsteun kan worden gebruikt afhankelijk van of het hoofd van het kind wel of niet comfortabel is.

Bewaar de kruisriemkap goed om verliezen te vermijden.

- 22** Maak de klemmen los. **22** -1

Til de bovenste klep omhoog en trek de onderste klep naar voren. Berg dan de schouderriemen op in het opbergvak. **22** -2

Trek de gesp naar de rug van het zitkussen en berg de gesp en gesptongen in de betreffende opbergvakken op. **22** -3 & **22** -4

- 23** Maak de klemmen weer vast om het kussen terug te leggen. Het zitkussen is afgebeeld als in **23**

Uw kind in het kinderzitsysteem vastzetten

Controleer of de geleiders voor de schouderriem van het voertuig op de juiste hoogte staan wanneer het kind in het verbeterde kinderzitje zit.

- 24** Steek de schouderriem door de schouderriemgeleider, steek de heupgordel door de heupgordelsleuven. Maak de gesp van het voertuig vast en trek aan de autogordel om ervoor te zorgen dat het strak zit. **24** **25**

De schouderriem moet door de schouderriemgeleider gaan. **24** -1

De heupgordel moet door de heupgordelsleuven gaan.

Het verbeterde kinderzitje kan niet worden gebruikt als de gesp van de veiligheidsriem (vrouwelijke gesp) te lang is om het verbeterde kinderzitje veilig vast te zetten. **24** -2

Gebruik NOOIT een tweepuntsgordel (alleen

heupriem) om uw kind vast te zetten.

Gebruik de schouderriem NIET los of onder de arm.

Gebruik de schouderriem NIET achter de rug van het kind.

Laat het kind NIET omlaag glijden in het verbeterde kinderzitje vanwege de kans op verwurging.

Zachte voorwerpen losmaken

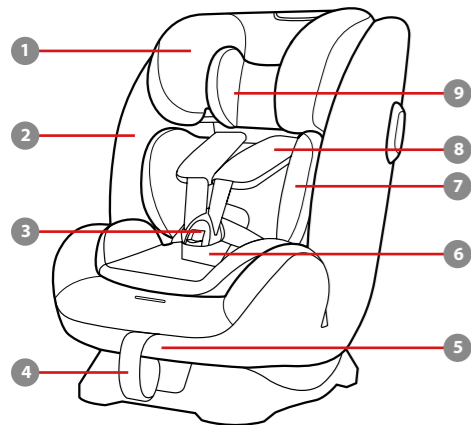
Zie afbeeldingen **26** - **34**

- 26** Druk op de rode knop om de riem te ontgrendelen.

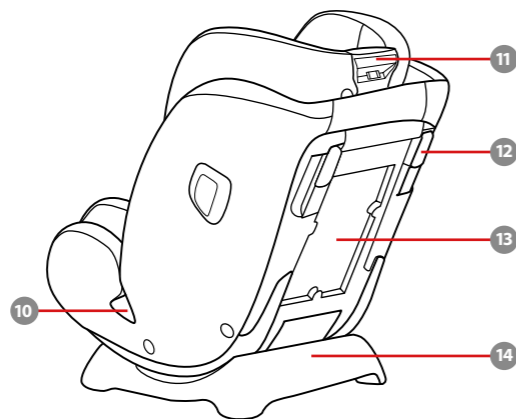
Volg de stappen **27** - **34** voor het losmaken van zachte voorwerpen..

Om het zachte materiaal opnieuw te bevestigen, herhaalt u de bovenstaande stappen in omgekeerde volgorde.

Elenco parti



- 1 Poggiatesta
- 2 Sedile
- 3 Fibbia
- 4 Cinghia di regolazione della cintura
- 5 Maniglia di regolazione della reclinazione
- 6 Coperture della cintura spartigambe
- 7 Supporto per il corpo
- 8 Coperture per bretelle
- 9 Cuscino poggiatesta
- 10 Fessure per la cintura addominale del veicolo
- 11 Leva di regolazione poggiatesta



- 12 Blocco cintura del veicolo
- 13 Vano di conservazione del manuale di istruzioni
- 14 Base
- 15 Aletta di protezione da impatto laterale (*deve essere solo sul lato portiera)



IMPORTANTE

LEGGERE ATTENTAMENTE QUESTE ISTRUZIONI E CONSERVARLE PER USO FUTURO. LA MANCATA OSSERVANZA DI QUESTE ISTRUZIONI PUÒ METTERE A REPENTAGLIO LA SICUREZZA DEI BAMBINI.

AVVERTENZA:
IMPORTANTE, CONSERVARE PER RIFERIMENTO FUTURO: LEGGERE ATTENTAMENTE.

PRESTARE attenzione in modo che gli oggetti rigidi e le parti in plastica del dispositivo avanzato di ritenuta per bambini siano posizionati e installati in modo che non rischiano di rimanere incastrati in un sedile spostabile o nella portiera del veicolo.

NON usare dispositivi avanzati di ritenuta per bambini in modalità contraria al senso di marcia nei sedili in cui è installato un airbag anteriore attivo.

Per utilizzare il dispositivo avanzato di ritenuta per bambini in conformità alla normativa UN N. 129, il bambino deve soddisfare i seguenti requisiti.

Modalità contraria al senso di marcia: Altezza del bambino 40 cm-105 cm/ max. 22kg

Modalità in senso di marcia: Altezza del bambino 100 cm-145 cm/15 kg-36 kg

Il dispositivo avanzato di ritenuta per bambini potrebbe non essere adatto a tutti i veicoli approvati se utilizzato in alcune posizioni.

Le cinghie che fissano il dispositivo avanzato di ritenuta per bambini al veicolo devono essere strette, le cinghie del bambino devono essere adattate al suo corpo e non devono essere attorcigliate.

Dopo aver messo il bambino nel dispositivo di ritenuta per bambini, utilizzare correttamente la cintura di sicurezza. È estremamente importante che la cinghia addominale sia indossata in basso in modo da sostenere il bacino.

Il dispositivo avanzato di ritenuta per bambini deve essere sostituito se è stato sottoposto a violenti sollecitazioni in caso di incidente. Un incidente può causare danni impossibili da notare.

Considerare il pericolo di apportare modifiche o aggiunte al dispositivo senza approvazione dell'autorità competente, e il pericolo di non seguire attentamente le istruzioni di installazione fornite dal produttore del

dispositivo avanzato di ritenuta per bambini.

Tenere il dispositivo avanzato di ritenuta per bambini lontano dalla luce del sole per evitare di causare ustioni alla pelle del bambino. Toccare sempre il dispositivo avanzato di ritenuta per bambini prima di far sedere il bambino.

NON lasciare mai il bambino incustodito con questo dispositivo avanzato di ritenuta per bambini.

I bagagli o altri oggetti che potrebbero causare lesioni in caso di collisione devono essere fissati adeguatamente.

Il dispositivo avanzato di ritenuta per bambini NON DEVE ESSERE UTILIZZATO senza il rivestimento imbottito.

Il rivestimento imbottito deve essere sostituito con altri consigliati dal produttore, in quanto costituiscono parte integrante delle prestazioni del dispositivo di ritenuta.

Prima di acquistare questo dispositivo avanzato di ritenuta per bambini, assicurarsi che possa essere installato correttamente nel veicolo.

NESSUN dispositivo avanzato di ritenuta per bambini è in grado di

garantire una protezione completa da lesioni in caso di incidenti. Tuttavia, l'uso corretto del dispositivo avanzato di ritenuta per bambini riduce il rischio di lesioni gravi o mortali per il bambino.

NON installare il dispositivo avanzato di ritenuta per bambini senza osservare le istruzioni del presente manuale. Si potrebbero causare lesioni o decesso.

NON utilizzare questo dispositivo avanzato di ritenuta per bambini se presenta danni o parti mancanti.

NON vestire il bambino con indumenti troppo grandi, in quanto si potrebbe impedire al bambino di essere, correttamente e saldamente allacciato con le cinture per le spalle e la cintura spartigambe.

IMPORTANTE: NON UTILIZZARLO COME MODALITÀ RIALZO PRIMA CHE IL BAMBINO SUPERI I 100 CM DI ALTEZZA (fare riferimento alle istruzioni).

Cura e manutenzione

Dopo aver rimosso la gommapiuma dell'inserto per bambini, conservarlo lontano dalla portata dei bambini.

Lavare il rivestimento imbottito con acqua fredda sotto i 30°C.

Non stirare il rivestimento imbottito.

Non candeggiare e non lavare a secco il rivestimento imbottito.

Non usare un detergente neutro non diluito benzina o altri solventi organici per lavare il dispositivo di ritenuta per bambini. Potrebbero danneggiare il dispositivo di ritenuta per bambini.

Non attorcigliare il rivestimento imbottito per asciugare con grande forza. Si potrebbero lasciare grinze sul rivestimento imbottito.

Appendere il rivestimento imbottito all'ombra per asciugare.

Rimuovere il sistema di ritenuta per bambini avanzato e la base dal sedile del veicolo se non vengono usati per un lungo periodo di tempo. Conservare il dispositivo avanzato di ritenuta per bambini in un luogo fresco, asciutto e a cui il bambino non

può accedere.

Non manomettere gli attacchi della cintura durante la pulizia.

gracobaby.eu
www.gracobaby.pl

Informazioni sul prodotto

Modalità contraria al senso di marcia

1. È un sistema di ritenuta per bambini avanzato universale con cinture. È omologato secondo la Normativa UN N.129, per l'uso principale nei "posti a sedere universali", come indicato dai produttori dei veicoli nel manuale d'uso.
2. In caso di dubbi, consultare il produttore o il rivenditore del dispositivo avanzato di ritenuta per bambini.

Modalità in senso di marcia

1. È un sistema di ritenuta per bambini avanzato con rialzo i-Size. È omologato secondo la Normativa UN N.129, per l'uso principale nei "posti a sedere universali", come indicato dai produttori dei veicoli nel manuale d'uso.
2. In caso di dubbi, consultare il produttore o il rivenditore del dispositivo avanzato di ritenuta per bambini.

Materiali Plastica, metalli, tessuti

N. brevetto In attesa di brevetto

Dubbi sull'installazione

Vedere le figure 1 - 3

- 1 NON installare questo dispositivo di ritenuta per bambini su sedili dei veicoli rivolti lateralmente o verso la parte posteriore rispetto al senso di marcia del veicolo.

Si raccomanda di installare questo dispositivo di ritenuta per bambini sul sedile posteriore del veicolo.

NON installare questo dispositivo di ritenuta per bambini su sedili dei veicoli che si sono rivelati instabili durante l'installazione.

- 2 NON posizionare il dispositivo di ritenuta per bambini rivolto in senso contrario di marcia sul sedile anteriore se sono presenti airbag. Potrebbero verificarsi lesioni gravi o decesso. Per ulteriori informazioni, fare riferimento al manuale del veicolo.
- 3 Questo dispositivo di ritenuta per bambini è adatto solo per sedili

dei veicoli dotati di cinture di sicurezza retrattili a 3 punti.

NON installare questo dispositivo di ritenuta per bambini su sedili dei veicoli con cinture addominali.

Utilizzo della protezione da impatto laterale

Vedere le figure 4 - 5

- 4 Il sistema di ritenuta per bambini avanzato è fornito di protezione da impatto laterale rimovibile. Questa protezione da impatto laterale deve essere utilizzata sul lato della portiera del veicolo per una migliore protezione.

- 5 Premere il pulsante di rilascio per rimuovere la protezione da impatto laterale.

Regolazione della reclinazione

Vedere le figure 6 - 7

- 6 Premere la maniglia di regolazione della reclinazione e regolare il sistema di ritenuta per bambini

avanzato nella posizione corretta.

- 7 Gli angoli di reclinazione sono mostrati in 7

La modalità contraria al senso di marcia dispone di due diversi angoli di reclinazione 5-6.

La modalità in senso di marcia dispone di quattro diversi angoli di reclinazione 1-4.

Allineare l'indicatore di reclinazione superiore con i numeri inferiori per la posizione di inclinazione desiderata.

Regolazione dell'altezza del poggiatesta e delle bretelle

Vedere le figure 8 - 10

- 8 Se utilizzato in modalità contraria al senso di marcia, la cintura per le spalle deve essere all'altezza o appena sotto la parte superiore delle spalle del bambino.

Se le cinture per le spalle non si trovano all'altezza appropriata, in caso di collisione il bambino rischia di essere sbalzato fuori dal

sistema di ritenuta per bambini avanzato.

- 9 Se utilizzato in modalità in senso di marcia, le guide della cintura per le spalle devono essere all'altezza o appena sotto le spalle del bambino.

Portare il poggiatesta e le cinture per le spalle all'altezza appropriata per le dimensioni del bambino.

- 10 Tirare leva di regolazione del poggiatesta 10-1, quindi tirare verso l'alto o spingere verso il basso il poggiatesta finché non scatta in una posizione. Le posizioni del poggiatesta sono mostrate in 10-2

Quando il poggiatesta viene regolato verso l'alto (dalla 6ª alla 9ª posizione), i lati del sistema di ritenuta per bambini si spostano automaticamente verso l'esterno per garantire più spazio per le spalle.

Modalità contraria al senso di marcia

(Altezza del bambino 40 cm-105 cm/Peso del bambino ≤22 kg)

Vedere le figure 11 - 21

Montare prima il dispositivo di ritenuta per bambini sul sedile posteriore della vettura e riporre poi il bambino nel dispositivo di ritenuta per bambini.

Installazione nella modalità contraria al senso di marcia

Regolare il dispositivo di ritenuta per bambini all'angolo di reclinazione desiderato (2 posizioni per la modalità contraria al senso di marcia). Allineare l'indicatore di reclinazione superiore con uno dei numeri inferiori in bianco.

Prima di installare il sistema di ritenuta per bambini avanzato, assicurarsi di regolare le bretelle all'altezza appropriata.

Durante l'installazione e la regolazione delle cinture di sicurezza, assicurarsi che la sezione

spalle e la sezione addominale delle cinture di sicurezza non siano attorcigliate e non impediscano quindi il corretto funzionamento delle cinture di sicurezza.

11 Far passare la cintura addominale del veicolo attraverso le relative fessure.

12 Quindi, inserire la linguetta della fibbia del veicolo nella fibbia stessa.

La cintura addominale del veicolo deve passare sotto il supporto per il corpo.

13 Passare la cintura per le spalle del veicolo attraverso le due fessure della cintura del veicolo rivolta all'indietro sul retro del sistema di ritenuta per bambini avanzato.

14 Aprire il bloccaggio della cintura e inserire la cintura per le spalle.

Assicurarsi che il bloccaggio della cintura sia completamente chiuso quando non è in uso per evitare lesioni o danni alla tappezzeria del veicolo.

15 Premere saldamente il dispositivo avanzato di ritenuta per bambini e tirare la cintura per le spalle del

veicolo per fissare in modo sicuro il dispositivo avanzato di ritenuta per bambini. **15** -1 & **15** -2

Assicurarsi di chiudere il blocco dopo aver verificato che il dispositivo avanzato di ritenuta per bambini sia fissato saldamente. **15** -3 & **15** -4

Tenere lontane le dita quando si chiudono i fermagli di bloccaggio per evitare lesioni.

Non è possibile utilizzare il dispositivo avanzato di ritenuta per bambini se la fibbia della cintura di sicurezza (estremità femmina della fibbia) è troppo lunga per ancorare in modo sicuro il dispositivo avanzato di ritenuta per bambini.

Controllare di nuovo che il dispositivo avanzato di ritenuta per bambini sia installato saldamente e non si muova sul sedile del veicolo.

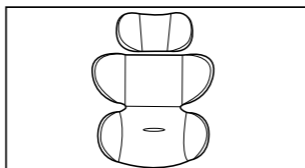
16 La cintura di sicurezza del veicolo correttamente assemblata è mostrata in **16**

Assicurarsi che la cintura addominale del veicolo passi attraverso la relativa fessura. **16** -1

Assicurarsi che la cintura per le spalle del veicolo passi attraverso la relativa fessura rivolta verso il retro. **16** -2

Innestare correttamente la linguetta delle cinture nell'apposita fibbia, come mostrato in **16** -3

Protezione del bambino nel dispositivo di ritenuta per bambini - Uso del supporto per il corpo e del cuscino poggiatesta



Si consiglia di utilizzare il cuscino poggiatesta e il supporto per il corpo finché il bambino non raggiunge i 60 cm o non diventa troppo grande per il supporto per il corpo. Il cuscino poggiatesta e il supporto per il corpo aumentano la protezione dagli impatti laterali.

17 Premendo il pulsante di regolazione cintura, tirare completamente le due cinture per le spalle del dispositivo avanzato di ritenuta per bambini.

18 Premere il pulsante per sganciare la fibbia.

19 Fissare le fibbie su entrambi i lati del sedile, per agevolare il posizionamento del bambino.

Mettere il bambino nel dispositivo avanzato di ritenuta per bambini e infilare le braccia nelle cinture.

20 Agganciare la fibbia.

21 Tirare verso il basso il regolatore per regolarlo alla lunghezza adeguata e assicurarsi che il bambino sia perfettamente allacciato.

Una volta sistemato il bambino nel seggiolino, verificare che le cinture per le spalle siano all'altezza adeguata.

Mantenere sempre il bambino protetto con la cintura e stretto correttamente rimuovendo eventuali allentamenti.

Modalità in senso di marcia

(Altezza bambino 100 cm-145 cm)

Vedere le figure **22** - **25**

Installazione nella modalità in senso di marcia

Quando si utilizza in modalità in senso di marcia, rimuovere il supporto per il corpo e posizionare le bretelle, la fibbia e le linguette delle fibbie nei vani di conservazione della cintura.

Il cuscino poggiatesta può essere utilizzato se la testa del bambino è comoda.

Prima di riporre le bretelle e la fibbia nei rispettivi vani, regolare le cinture per le spalle alla lunghezza corretta.

Regolare il dispositivo avanzato di ritenuta per bambini nella posizione di reclinazione desiderata. (4 posizioni per la modalità in senso di marcia) Allineare l'indicatore di reclinazione superiore con uno dei numeri inferiori in bianco.

Durante l'utilizzo e la regolazione della cintura di sicurezza del veicolo, verificare che non vi siano torsioni nella cintura di sicurezza del veicolo che potrebbero causare il fissaggio errato del bambino.

Premere il pulsante per sganciare la fibbia **18**

Rimuovere la cintura spartigambe come mostrato in **28**, quindi il supporto per il corpo.

Non utilizzare il supporto per il corpo quando si installa il dispositivo avanzato di ritenuta per bambini in modalità in senso di marcia. Il cuscino poggiatesta può essere utilizzato se la testa del bambino è comoda.

Conservare bene la copertura della cintura inguinale per evitare di perderla.

22 Staccare i ganci. **22** -1

Sollevare la linguetta superiore verso l'alto e tirare la linguetta inferiore in avanti, quindi riporre le bretelle negli appositi vani. **22** -2

Tirare la fibbia sul retro dell'imbottitura del sedile, quindi riporre la fibbia e le linguette della fibbia nei rispettivi vani.

22 -3 & **22** -4

23 Fissare di nuovo i ganci per ripristinare l'imbottitura del sedile. L'imbottitura del sedile recuperata viene mostrata in **23**

Protezione del bambino nel dispositivo di ritenuta per bambini

Controllare se le guide della cintura per le spalle del veicolo sono all'altezza corretta quando il bambino è nel dispositivo di ritenuta per bambini.

24 Posizionare la cintura per le spalle attraverso la relativa guida e far passare la cintura addominale attraverso le relative fessure della cintura addominale del veicolo.

Inserire la fibbia del veicolo e tirare la cintura del veicolo per assicurarsi che sia serrata. **24** **25**

La cintura per le spalle deve passare attraverso la relativa guida. **24** -1

La cintura addominale deve passare attraverso la relativa fessura.

Non è possibile utilizzare il dispositivo avanzato di ritenuta per bambini se la fibbia della cintura di sicurezza (estremità femmina della fibbia) è troppo lunga per ancorare in modo sicuro il dispositivo avanzato di ritenuta per bambini. **24** -2

NON usare una cintura del veicolo con 2 punti di fissaggio (solo cintura addominale) per bloccare il bambino.

NON utilizzare la cintura per le spalle allentata o posizionata sotto il braccio.

NON utilizzare la cintura per le spalle dietro le spalle del bambino.

NON consentire al bambino di scivolare nel dispositivo avanzato di ritenuta per bambini in caso di strangolamento.

Rimozione del rivestimento imbottito

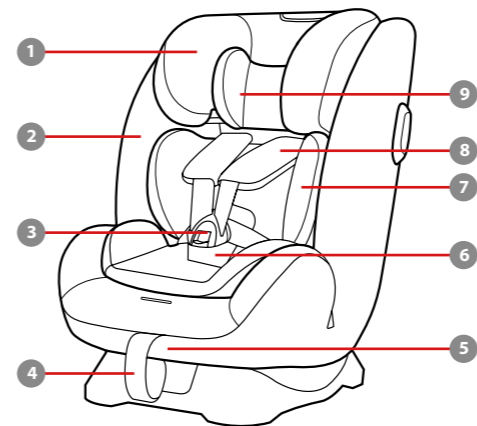
Vedere le figure **26** - **34**

26 Premere il pulsante rosso per sganciare la fibbia.

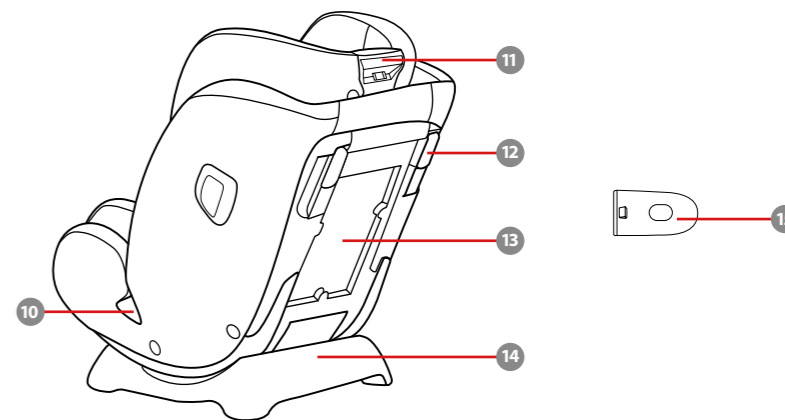
Seguire i passi **27** - **34** per rimuovere il rivestimento imbottito.

Per inserire di nuovo il rivestimento imbottito, ripetere le procedure di cui sopra in ordine inverso.

Lista de piezas



- 1 Reposacabezas
- 2 Asiento
- 3 Hebilla
- 4 Correa de ajuste del arnés
- 5 Asa de ajuste de la inclinación
- 6 Protector del arnés para la entrepierna
- 7 Apoyo para el cuerpo
- 8 Protector del arnés de los hombros
- 9 Almohada del reposacabezas
- 10 Ranuras para el cinturón ventral del vehículo
- 11 Palanca de ajuste del reposacabezas



- 12 Cierre del cinturón del vehículo
- 13 Compartimento de almacenamiento del manual de instrucciones
- 14 Base
- 15 Pieza de protección contra impactos laterales (*debe usarse solo en el lado de la puerta)

IMPORTANTE

LEA DETENIDAMENTE ESTAS INSTRUCCIONES ANTES DE UTILIZAR EL PRODUCTO Y GUÁRDELAS PARA FUTURAS CONSULTAS. LA SEGURIDAD DE SU HIJO PUEDE VERSE AFECTADA SI NO SIGUE ESTAS INSTRUCCIONES.

⚠️ ADVERTENCIA: IMPORTANTE, GUARDE ESTE MANUAL PARA FUTURAS CONSULTAS: LEA DETENIDAMENTE ESTAS INSTRUCCIONES.

TENGA cuidado para que los elementos rígidos y las piezas de plástico del dispositivo de sujeción para niños mejorado se coloquen e instalen de manera que no puedan quedar atrapados por un asiento móvil o en la puerta del vehículo.

NO use los dispositivos de sujeción para niños mejorados con orientación hacia atrás en asientos donde haya un airbag frontal activo instalado.

Para utilizar este dispositivo de sujeción para niños mejorado de acuerdo con la norma n.º 129 de la ONU, el niño deberá cumplir los siguientes requisitos:

Posición hacia atrás: Altura del niño: 40

cm-105 cm/22 kg máximo

Posición hacia adelante: Altura del niño: 100 cm - 145 cm/15 kg-36 kg

El reposacabezas del niño mejorado puede no caber en todos los vehículos aprobados cuando se utiliza en alguna de las posiciones.

Las correas que fijan el dispositivo de sujeción para niños mejorado al vehículo deben estar apretadas, mientras que las correas que sujetan al niño deben ajustarse al cuerpo del niño y no retorcerse.

Una vez colocado el niño en el dispositivo de sujeción para niños mejorado, el cinturón de seguridad se deberá utilizar correctamente. Asegúrese de que ninguna correa de seguridad quede demasiado baja, de forma que la pelvis quede firmemente sujeta.

Este dispositivo de sujeción para niños mejorado se debe reemplazar si ha estado sometido a tensiones violentas en un accidente. Un accidente puede causar daños no visibles en dichos elementos.

Considere el peligro de realizar alteraciones o modificaciones al dispositivo sin la aprobación de la

autoridad adecuada y el peligro de no seguir estrictamente las instrucciones de instalación facilitadas por el fabricante del dispositivo de sujeción para niños mejorado.

Mantenga el dispositivo de sujeción para niños mejorado alejado de la luz directa del sol ya que, si no lo hace, podría alcanzar temperaturas demasiado altas para la piel de su hijo. Toque siempre el dispositivo de sujeción para niños mejorado antes de colocar al niño en él.

NUNCA deje a su hijo sin supervisión en este dispositivo de sujeción para niños mejorado.

Sujete correctamente el equipaje y cualquier otro objeto susceptible de provocar lesiones en caso de colisión.

NO UTILICE el sistema de sujeción para niños mejorado sin el acolchado.

El acolchado no deberá sustituirse por uno que no esté recomendado por el fabricante, ya que el acolchado constituye una parte esencial del funcionamiento del dispositivo de sujeción.

Compruebe si el sistema de sujeción para niños se puede instalar correctamente en el vehículo antes de

comprarlo.

NINGÚN dispositivo de sujeción para niños mejorado puede garantizar una protección total contra lesiones en caso de accidente. Sin embargo, un uso adecuado de este dispositivo de sujeción para niños mejorado reducirá el riesgo de lesiones graves o, incluso, de muerte del niño.

NO instale este dispositivo de sujeción para niños mejorado sin seguir las instrucciones que se indican en este manual ya que, si las incumple, podría poner a su hijo en peligro de sufrir lesiones o, incluso, de muerte.

NO utilice este dispositivo de sujeción para niños mejorado si está dañado o si falta alguna de sus piezas.

NO coloque a su hijo con ropa suelta o de una talla mayor, ya que podría provocar que la sujeción del niño, mediante las correas de los arneses de los hombros y la correa de la pelvis entre las piernas, no sea firme y segura.

IMPORTANTE - NO USE LA SILLA A FAVOR DE LA MARCHA ANTES DE QUE EL NIÑO MIDA MÁS DE 100 CM (consulte las instrucciones)

Cuidados y mantenimiento

Después de retirar la espuma del reductor para bebés, guárdela en un lugar donde no pueda acceder el niño.

Lave el acolchado con agua fría por debajo de los 30 °C.

No planche el acolchado.

No limpie en seco ni utilice lejía para lavar el acolchado.

No utilice detergentes neutros sin diluir, gasolina u otros disolventes orgánicos para limpiar el Sistema de Retención Infantil. Si lo hace, puede dañar el Sistema de Retención Infantil.

No retuerza con demasiada fuerza el acolchado cuando lo seque. Podrían quedar arrugas en el acolchado.

Deje secar el acolchado en un lugar alejado de la luz directa del sol.

Retire este Sistema de Retención Infantil y la base del asiento del vehículo cuando no vaya a utilizarlos durante un periodo prolongado de tiempo. Deje el Sistema de Retención Infantil en un lugar fresco y seco donde el niño no pueda acceder.

No manipule los conectores del arnés durante la limpieza.

gracobaby.eu

www.gracobaby.pl

Información del producto

Modo a contramarcha

- Este es un sistema de Sistema de Retención Infantil universal. Está aprobado conforme al Reglamento n.º 129 de la ONU, para el uso principal en "asientos universales" como indican los fabricantes de vehículos en el manual del usuario del vehículo.
- En caso de duda, consulte al fabricante o al distribuidor del Sistema de Retención Infantil.

Modo a favor de la marcha

- Este es un Sistema de Retención Infantil con elevador i-Size. Está aprobado conforme al Reglamento n.º 129 de la ONU, para el uso principal en "asientos i-Size" como indican los fabricantes de vehículos en el manual del usuario del vehículo.
- En caso de duda, consulte al fabricante o al distribuidor del Sistema de Retención Infantil.

Materiales Plásticos, metales, telas

N.º de patente Pendiente de patentes

Consideraciones acerca de la instalación

Consulte las imágenes 1 - 3

1 NO instale este dispositivo de sujeción para niños en asientos de vehículo cuya posición esté orientada hacia un lado o hacia atrás con respecto a la dirección de conducción del vehículo.

Le recomendamos que instale este dispositivo de sujeción para niños mejorado en los asientos traseros.

NO instale este dispositivo de sujeción para niños en asientos de vehículo que se muevan durante la instalación.

2 NO coloque el dispositivo de sujeción para niños mirando hacia atrás en asientos delanteros con airbag, ya que podría provocar lesiones graves o, incluso, la muerte. Consulte el manual de usuario del vehículo para obtener más información.

3 Este dispositivo de sujeción para niños mejorado es adecuado para asientos de vehículos solo con

cinturones de seguridad retráctiles con 3 puntos.

NO instale este dispositivo de sujeción para niños mejorado en asientos de vehículo con cinturones de seguridad de cintura.

Usar la protección contra impactos laterales

Consulte las imágenes **4** - **5**

4 El Sistema de Retención Infantil se entrega con una protección contra impactos laterales extraíble. Esta protección contra impactos laterales debe usarse en el lado de la puerta del vehículo para conseguir la máxima protección.

5 Presione el botón de liberación para quitar la protección contra impactos laterales.

Ajuste de la inclinación

Consulte las imágenes **6** - **7**

6 Presione el asa de ajuste de la inclinación y ajuste el Sistema de Retención Infantil hasta que la posición sea la adecuada.

7 Los ángulos de inclinación son los indicados en la imagen **7**

El modo a contramarcha tiene dos ángulos de inclinación (5-6).

El modo a favor de la marcha tiene cuatro ángulos de inclinación (1-4).

Alinee el indicador de inclinación superior con los números inferiores de la posición de inclinación deseada.

Ajuste de la altura de los arneses de los hombros y del reposacabezas

Consulte las imágenes **8** - **10**

8 Cuando se utilice en el modo a contramarcha, los arneses de los hombros deberán estar a la altura de los hombros del niño o por debajo.

Si los arneses de los hombros no están a la altura adecuada, el niño podría salir despedido del Sistema de Retención Infantil en el caso de que ocurra un accidente.

9 En modo a favor de la marcha, las guías del cinturón del hombro deberán estar a la altura de los hombros del niño o ligeramente por encima de estos.

Ajuste el reposacabezas y compruebe si la altura de los arneses de los hombros es la correcta, según la altura del niño.

10 Apriete la palanca de ajuste del reposacabezas **10**-1 al mismo tiempo que empuja hacia arriba o hacia abajo el reposacabezas hasta que quede fijado en una posición. Las posiciones del reposacabezas se indican en la figura **10**-2

A medida que el reposacabezas se ajusta hacia arriba (desde la posición 6ª a la 9ª), los laterales del Sistema de Retención Infantil se mueven automáticamente hacia afuera para proporcionar más espacio para los hombros.

Modo orientado hacia atrás

(Altura del niño: 40 cm-105 cm/Peso del niño: ≤ 22 kg)

Consulte las imágenes **11** - **21**

Instale el Sistema de Retención Infantil en el asiento trasero del vehículo y, a continuación, coloque al niño en el Sistema de Retención Infantil.

Instalación del Modo a contramarcha

Ajuste el Sistema de Retención Infantil hasta la posición de inclinación que desee (2 posiciones para el modo a contramarcha). Alinee el indicador de inclinación superior con uno de los números blancos inferiores.

Asegúrese de que los arneses de los hombros estén ajustados a una altura adecuada antes de instalar este Sistema de Retención Infantil.

Cuando instale y ajuste los cinturones de seguridad, asegúrese de que tanto el cinturón de los hombros como el de la cintura no estén retorcidos

y no bloqueen los cinturones de seguridad para que puedan funcionar correctamente.

11 Pase el cinturón abdominal del vehículo por las ranuras de dicho cinturón.

12 A continuación, enganche la lengüeta de la hebilla del vehículo en la hebilla.

El cinturón abdominal del vehículo debe pasar por debajo del soporte para el cuerpo.

13 Pase el cinturón de los hombros del vehículo a través de las dos ranuras de dicho cinturón con orientación a contramarcha, situadas en la parte trasera del Sistema de Retención Infantil.

14 Abra el cierre e inserte el cinturón de los hombros a través del él. Asegúrese de que el cierre del cinturón esté completamente cerrado cuando no lo utilice para evitar lesiones o daños en la tapicería del vehículo.

15 Presione el Sistema de Retención Infantil hacia abajo firmemente y tire del cinturón de los hombros del vehículo para apretar dicho dispositivo de forma segura. **15**-1 & **15**-2

Asegúrese de cerrar el cierre después de comprobar que el Sistema de Retención Infantil esté firmemente sujeto. **15**-3 & **15**-4

Mantenga los dedos alejados al cerrar los clips de bloqueo para evitar lesiones.

El Sistema de Retención Infantil no puede utilizarse si la hebilla del cinturón de seguridad del vehículo (extremo hembra de la hebilla) es demasiado larga para sujetar con seguridad dicho dispositivo.

Verifique que el Sistema de Retención Infantil esté bien instalado y no se mueve en el asiento del vehículo.

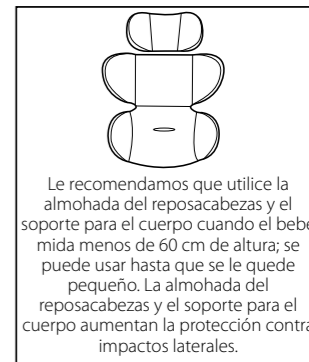
16 El cinturón del vehículo montado correctamente aparece en la figura **16**

Asegúrese de que el cinturón ventral del vehículo pasa por la ranura de dicho cinturón. **16**-1

Asegúrese de que el cinturón de los hombros del vehículo pasa por la ranura del cinturón del vehículo orientado a contramarcha. **16**-2

El enganche de la hebilla del vehículo deberá estar correctamente sujeto con la hebilla, como se muestra en la imagen **16**-3

Proteger al niño en el sistema de sujeción para niños mediante el soporte para el cuerpo y la almohada del reposacabezas



17 Mientras presiona el botón de ajuste del arnés, tire totalmente de los dos arneses de los hombros del Sistema de Retención Infantil.

18 Pulse el botón rojo para soltar la hebilla.

19 Enganche las hebillas a ambos lados del asiento para que sea más cómodo colocar al bebé.

Coloque al niño en el Sistema de Retención Infantil y pase ambos brazos por los arneses.

20 Enganche la hebilla.

21 Tire de la cincha de ajuste hacia usted, ajústela a la longitud adecuada y asegúrese de que su hijo quede sujeto cómodamente.

Después de sentar al niño, vuelva a comprobar si los arneses de los hombros están a una altura adecuada.

Mantenga siempre al niño asegurado en el arnés y bien sujeto sin que haya holguras.

Modo a favor de la marcha

(Altura del niño:
100 cm-145 cm)

Consulte las imágenes **22** - **25**

Instalación del Modo a favor de la marcha

Cuando se utilice en el modo orientado hacia adelante, quite el soporte para el cuerpo y coloque las correas del arnés para hombros, la hebilla y los enganches de las hebillas en los compartimentos de almacenamiento ocultos del arnés.

La almohada del reposacabezas se puede usar en función de si la cabeza del niño está en una posición cómoda.

Ajuste los arneses de los hombros hasta que la longitud sea la adecuada antes de guardar las correas de los hombros y la hebilla en sus compartimentos de almacenamiento.

Ajuste el Sistema de Retención Infantil a la posición de inclinación que desee. (4 posiciones para

el modo a favor de la marcha). Alinee el indicador de inclinación superior con uno de los números blancos inferiores.

Mientras usa y ajusta el cinturón del asiento del vehículo, verifique que dicho cinturón no está retorcido, lo que podría provocar una mala sujeción del niño.

Pulse el botón rojo para soltar la hebilla como se muestra en **18**

Retire la correa de la entrepierna tal y como se muestra en **28** y, a continuación, el soporte para el cuerpo.

Cuando instale el dispositivo de sujeción para niños mejorado en el modo orientado hacia adelante, no utilice el soporte para el cuerpo. La almohada del reposacabezas se puede usar en función de si la cabeza del niño está en una posición cómoda.

Mantenga el protector de la correa de la entrepierna para evitar que se pierda.

22 Quite los broches. **22** -1

Levante la solapa superior en vertical y tire de la solapa inferior hacia delante. A continuación,

guarde las correas de los hombros en sus compartimentos de almacenamiento. **22** -2

Tire de la hebilla hacia la parte trasera del acolchado del asiento y, a continuación, guarde dicha hebilla y sus lengüetas en los compartimentos de almacenamiento correspondientes. **22** -3 & **22** -4

23 Vuelva a acoplar los broches para recuperar el acolchado del asiento. El aspecto del acolchado del asiento recuperado será el mostrado en la figura **23**

Sujetar al niño en el Sistema de Retención Infantil

Verifique si las guías del cinturón de los hombros del vehículo están a la altura adecuada cuando el niño esté en el Sistema de Retención Infantil.

24 Coloque el cinturón de los hombros a través de la guía de dicho cinturón y pase el cinturón de la cintura a través de las ranuras del cinturón ventral del vehículo. Enganche la hebilla del vehículo y tire del cinturón del vehículo para asegurarse de que esté apretado.

24 **25**

El cinturón del hombro debe pasar por la guía del cinturón del hombro. **24** -1

El cinturón de la cintura pasa por la ranura de dicho cinturón.

El Sistema de Retención Infantil no puede utilizarse si la hebilla del cinturón de seguridad del vehículo (extremo hembra de la hebilla) es demasiado larga para sujetar con seguridad dicho dispositivo. **24** -2

NUNCA use un cinturón de vehículo de 2 puntos (solo cinturón para la cintura) para asegurar al niño.

NO utilice el cinturón del hombro suelto o colocado debajo del brazo.

NO utilice el cinturón para los hombros por detrás de la espalda del niño.

NO permita que el niño se escurra hacia abajo en el Sistema de Retención Infantil para evitar el riesgo de estrangulamiento.

Desmontaje de los materiales acolchados

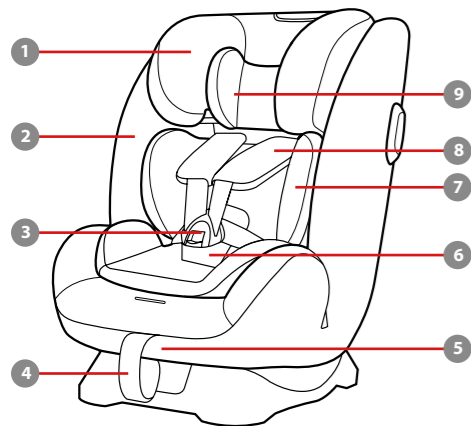
Consulte las imágenes **26** - **34**

26 Presione el botón rojo para soltar la hebilla.

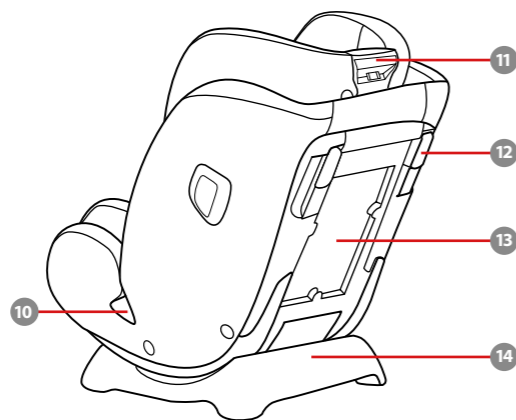
Siga los pasos **27** - **34** para desmontar los materiales acolchados.

Para volver a montar los materiales acolchados, repita los pasos anteriores en orden inverso.

Lista de componentes



- 1 Apoio de cabeça
- 2 Assento
- 3 Fivela
- 4 Correas de ajuste das alças
- 5 Manípulo de ajuste de inclinação
- 6 Capa do cinto das virilhas
- 7 Apoio do corpo
- 8 Capas das alças
- 9 Almofada do apoio para a cabeça



- 10 Ranhuras para a correia subabdominal
- 11 Alavanca de ajuste do apoio de cabeça
- 12 Bloqueio do cinto de segurança
- 13 Compartimento de armazenamento do manual de instruções
- 14 Base
- 15 Módulo de proteção contra impactos laterais (*deve utilizar apenas do lado da porta)



IMPORTANTE

LEIA ATENTAMENTE ESTAS INSTRUÇÕES ANTES DE UTILIZAR O PRODUTO E GUARDE-AS PARA REFERÊNCIA FUTURA. A SEGURANÇA DA CRIANÇA PODE SER AFETADA SE NÃO SEGUIR ESTAS INSTRUÇÕES.

AVISO:
IMPORTANTE, GUARDAR PARA REFERÊNCIA FUTURA: LER ATENTAMENTE.

TENHA atenção ao facto de as peças rígidas e plásticas do dispositivo avançado de retenção para crianças deverem estar localizadas e instaladas de forma a não ficarem presas num assento móvel ou na porta do veículo.

NÃO utilize dispositivos de retenção para crianças virados para a retaguarda em lugares sentados onde esteja instalado um airbag frontal ativo.

Para utilizar este dispositivo avançado de retenção para crianças de acordo com a Regulamentação UN N.º 129, a criança deve cumprir os seguintes requisitos.

Virado para a frente: Altura da criança 100 cm-145 cm/15 kg-36 kg

Virado para a retaguarda: Altura da criança 40-105 cm/Peso máximo da criança 22 kg

O dispositivo avançado de retenção para crianças poderá não caber em todos os veículos aprovados quando for utilizado em determinadas posições.

Todas as correias que seguram o dispositivo avançado de retenção ao veículo devem estar apertadas, qualquer correia que retenha a criança deve estar ajustada ao corpo da mesma e as alças não devem estar torcidas.

Após a colocação da criança no dispositivo avançado de retenção, o cinto de segurança deve ser utilizado corretamente. Certifique-se de que a correia subabdominal está o mais baixo possível para que a cintura esteja bem segura.

Este dispositivo avançado de retenção para crianças deve ser substituído caso tenha sido sujeito a esforços violentos num acidente. Um acidente pode causar danos não visíveis.

Não devem ser efetuadas alterações ou adições ao dispositivo sem a aprovação de uma autoridade competente e devem ser seguidas as instruções de

instalação fornecidas pelo fabricante do dispositivo avançado de retenção para crianças.

Mantenha este dispositivo avançado de retenção para crianças afastado de luz solar direta, caso contrário, este poderá atingir temperaturas demasiado elevadas para a pele da criança. Toque sempre no dispositivo avançado de retenção para crianças antes de colocar a criança.

NUNCA deixe a criança sem supervisão neste dispositivo avançado de retenção para crianças.

Todas as bagagens ou outros objetos que possam causar ferimentos em caso de colisão, devem estar corretamente fixos.

O sistema avançado de retenção para crianças NÃO DEVE SER UTILIZADO sem a capa de tecido acolchoado.

A capa de tecido acolchoado não deve ser substituída por qualquer outra que não seja recomendada pelo fabricante, pois é parte integrante do sistema de retenção.

Verifique se este dispositivo avançado de retenção para crianças pode ser instalado corretamente no seu veículo antes de o adquirir.

NENHUM sistema avançado de retenção para crianças pode garantir uma proteção total contra ferimentos num acidente. Contudo, a utilização apropriada deste dispositivo avançado de retenção para crianças reduzirá o risco de lesões graves ou morte da criança.

NÃO instale este dispositivo avançado de retenção para crianças sem seguir as instruções deste manual, pois poderá sujeitar a criança a riscos ferimentos ou morte.

NÃO utilize este dispositivo avançado de retenção para crianças se o mesmo estiver danificado ou existirem peças em falta.

NÃO coloque a criança com roupa larga/grande, pois poderá impedir que as alças e a correia das virilhas apertem firmemente a criança.

IMPORTANTE - NÃO UTILIZE O DISPOSITIVO NO MODO DE ASSENTO ELEVATÓRIO SE A ALTURA DA CRIANÇA FOR INFERIOR A 100 cm (consulte as instruções).

Cuidado e manutenção

Depois de retirar a espuma do redutor para bebê, armazene-a fora do alcance da criança.

Lave a capa de tecido acolchoado com água fria a uma temperatura inferior a 30 °C.

Não engome a capa de tecido.

Não utilize lixívia nem lavar a seco a capa de tecido.

Não utilize detergente neutro concentrado, gasolina ou outro solvente orgânico para lavar o dispositivo de retenção para crianças. Poderá danificar o dispositivo de retenção para crianças.

Não torça as capas de tecido acolchoado para as secar rapidamente. Poderá enrugur as capas de tecido acolchoado.

Deixe secar as capas de tecido acolchoado num local à sombra.

Retire o dispositivo avançado de retenção para crianças e a base do assento do veículo se não pretende utilizá-lo durante um longo período. Coloque o dispositivo avançado de

retenção para crianças num local fresco e seco não acessível a crianças.

Não adultere os conectores do cinto durante a limpeza.

gracobaby.eu

www.gracobaby.pl

Informações sobre o produto

Modo virado para a retaguarda

1. Este é um sistema avançado universal de retenção para crianças. Está aprovado ao abrigo da Regulamentação UN N.º 129 para ser utilizado principalmente em veículos com “lugares sentados universais”, como indicado pelo fabricante do veículo no manual do utilizador.

2. Em caso de dúvida, consulte o fabricante ou o revendedor do sistema avançado de retenção para crianças.

Modo virado para a frente

1. Esta é uma cadeira auto com sistema avançado de retenção para crianças i-Size. Está aprovado ao abrigo da Regulamentação UN N.º 129 para ser utilizado principalmente em veículos com “lugares sentados i-Size”, como indicado pelo fabricante do veículo no manual do utilizador.

2. Em caso de dúvida, consulte o fabricante ou o revendedor do

sistema avançado de retenção para crianças.

Materiais Plástico, metal, tecido

N.º. De patente Patentes pendentes

Cuidados na instalação

Ver imagens 1 - 3

1 NÃO instale este dispositivo de retenção para crianças em bancos de veículo virados para o lado ou para a retaguarda em relação à direção de deslocação do veículo.

Recomendamos que instale este dispositivo de retenção para crianças no banco traseiro do veículo.

NÃO instale este dispositivo de retenção para crianças em banco de veículos em movimento.

2 NÃO coloque o dispositivo de retenção para crianças virado para a retaguarda num banco dianteiro com airbag, porque poderão ocorrer lesões graves ou mesmo a morte. Consulte o manual do veículo para obter mais

informações.

3 Este dispositivo de retenção para crianças é apropriado apenas para bancos de veículo com cintos de segurança retráteis de 3 pontos. NÃO instale este dispositivo de retenção para crianças num veículo que possua apenas cintos subabdominais.

Utilizar a proteção contra impactos laterais

Ver imagens 4 - 5

4 O dispositivo avançado de retenção para crianças é fornecido com uma proteção contra impactos laterais. Esta proteção contra impactos laterais deve ser utilizada no lado da porta do veículo para oferecer a melhor proteção.

5 Pressione o botão de libertação para remover a proteção contra impactos laterais.

Ajuste da reclinção

Ver imagens 6 - 7

6 Pressione o manípulo de ajuste de inclinação e ajuste o dispositivo avançado de retenção para crianças para a posição adequada.

7 Os ângulos de reclinção são apresentados na figura 7

O modo virado para a retaguarda apresenta dois ângulos de inclinação 5-6.

O modo virado para a frente apresenta quatro ângulos de inclinação 1-4.

Alinhe o indicador de reclinção na parte superior com os números na parte inferior para definir a posição de reclinção desejada.

Ajuste da altura para o apoio de cabeça e alças

Ver imagens 8 - 10

8 Quando utilizar o produto no modo virado para a retaguarda, as alças devem estar ao nível dos ombros da criança ou

ligeiramente acima.

Se as alças não estiverem à altura adequada, a criança pode ser projetada do dispositivo avançado de retenção para crianças em caso de acidente.

9 Quando utilizar o produto no modo virado para a frente, os guias das alças devem estar ao nível dos ombros da criança ou ligeiramente acima.

Ajuste o apoio de cabeça e as alças para a altura adequada, de acordo com a altura da criança.

10 Aperte a alavanca de ajuste do apoio de cabeça 10-1 e ajuste o apoio de cabeça para cima ou para baixo até que este encaixe numa posição. As posições do apoio de cabeça são apresentadas na figura 10-2

À medida que ajusta o apoio de cabeça para cima (da 6.ª à 9.ª posição), as laterais do dispositivo de retenção para crianças afastam-se para fora para oferecer mais espaço para os ombros.

Modo virado para a retaguarda

(Altura da criança 40-105 cm/Peso da criança ≤ 22 kg)

Ver imagens 11 - 21

Instale o dispositivo de retenção para crianças no assento traseiro do veículo e, em seguida, coloque a criança no dispositivo.

Instalação para o modo virado para a retaguarda

Ajuste o dispositivo avançado de retenção para crianças para a posição de inclinação desejada (2 posições para o modo virado para a retaguarda). Alinhe o indicador de reclinção na parte superior com um dos números brancos na parte inferior.

Certifique-se de que as alças são ajustadas para a altura adequada antes de instalar o dispositivo de retenção para crianças.

Ao instalar e ajustar o cinto de segurança, certifique-se de que a correia de ombro e a correia subabdominal não estão torcidas e não vão impedir o cinto de segurança de funcionar corretamente.

11 Passe o cinto subabdominal através das ranhuras para o cinto subabdominal.

12 Em seguida, encaixe a lingueta do cinto na fivela.

O cinto subabdominal deve passar por baixo do apoio do corpo.

13 Passe a correia de ombro do cinto pelas duas ranhuras do cinto viradas para a retaguarda na parte traseira do dispositivo avançado de retenção para crianças.

14 Abra o bloqueio do cinto e introduza a correia de ombro.

Certifique-se de que o bloqueio do cinto está completamente fechado quando não estiver a ser utilizado para evitar lesões ou danos nos estofos do veículo.

15 Pressione o dispositivo avançado de retenção para crianças firmemente para baixo e puxe o cinto de segurança para prender

com firmeza o dispositivo avançado de retenção para crianças. **15** -1 e **15** -2

Certifique-se de que fecha o bloqueio depois de verificar que o dispositivo de retenção para crianças está firmemente preso.

15 -3 e **15** -4

Mantenha os dedos afastados ao fechar os ganchos, para evitar lesões.

O dispositivo avançado de retenção para crianças não pode ser utilizado se o cinto de segurança (conector fêmea da fivela) for demasiado longo para fixar o dispositivo avançado de retenção para crianças em segurança.

Verifique novamente se o dispositivo avançado de retenção para crianças está firmemente instalado e não se move no assento do veículo.

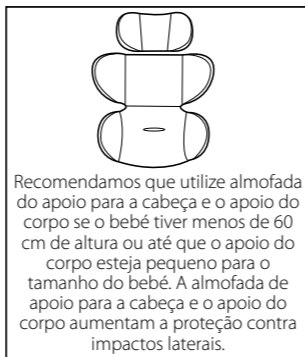
16 Pode consultar uma imagem do cinto de segurança bem colocado na ilustração **16**

Certifique-se de que a correia subabdominal passa através da ranhura para a correia subabdominal. **16** -1

Certifique-se de que a correia de ombro passa através da ranhura para o cinto voltada para a retaguarda. **16** -2

A lingueta da fivela está corretamente encaixada na fivela, conforme ilustrado em **16** -3

Prender a criança no dispositivo de retenção utilizando o apoio do corpo e a almofada do apoio para a cabeça



Recomendamos que utilize almofada do apoio para a cabeça e o apoio do corpo se o bebé tiver menos de 60 cm de altura ou até que o apoio do corpo esteja pequeno para o tamanho do bebé. A almofada de apoio para a cabeça e o apoio do corpo aumentam a proteção contra impactos laterais.

17 Enquanto pressiona o botão de ajuste das correias, puxe completamente as duas alças do dispositivo avançado de retenção para crianças.

18 Pressione o botão para desencaixar a fivela.

19 Afaste as linguetas do cinto para o exterior da cadeira para facilitar a colocação do bebé.

Coloque a criança no dispositivo avançado de retenção para crianças e passe ambos os braços pelas correias.

20 Encaixe a fivela.

21 Puxe a cinta de ajuste na sua direção para ajustar o comprimento e certifique-se de que a criança está presa e confortável.

Após a colocação da criança, verifique se as alças se encontram à altura apropriada.

Mantenha a criança segura com as correias e devidamente apertada eliminando quaisquer folgas.

Modo virado para a frente

(Altura da criança 100-145 cm)

Ver imagens **22** - **25**

Instalação no modo virado para a frente

Quando utilizar o produto no modo virado para a frente, remova o apoio do corpo e coloque as alças, a fivela e as linguetas nos compartimentos de armazenamento.

A almofada de apoio para a cabeça pode ser usada de acordo com o conforto da cabeça da criança.

Ajuste as alças para o comprimento adequado antes de armazenar as alças e a fivela nos seu compartimentos de armazenamento.

Ajuste o dispositivo avançado de retenção para crianças para a posição de inclinação desejada. (4 posições no modo virado para a frente). Alinhe o indicador de reclinção na parte superior com um dos números brancos na parte

inferior.

Utilizando e ajustando o cinto de segurança do veículo, certifique-se de que não existem torções no cinto que possam impedi-lo de prender corretamente a criança.

Pressione o botão para desencaixar a fivela, conforme ilustrado em **18**

Remova a correia das virilhas conforme apresentado na ilustração **28** e, em seguida, o apoio do corpo.

Quando instalar o dispositivo avançado de retenção para crianças no modo virado para a frente, não utilize o apoio do corpo. A almofada de apoio para a cabeça pode ser usada de acordo com o conforto da cabeça da criança.

Mantenha a capa da correia separadora de pernas bem colocada para evitar que se perca.

22 Desencaixe as molas. **22** -1

Levante a aba superior e puxe a aba inferior para a frente e, em seguida, armazene as alças nos seus compartimentos de armazenamento. **22** -2

Puxe a fivela para a traseira da capa de tecido acolchoado e armazene a fivela e as linguetas da fivela nos respetivos compartimentos de armazenamento. **22** -3 e **22** -4

23 Volte a apertar as molas para recolocar a capa de tecido acolchoado. A capa de tecido acolchoado novamente colocada é apresentada na ilustração **23**

Colocar e prender a criança no dispositivo de retenção

Verifique se os guias da correia de ombro do veículo estão à altura adequada quando a criança estiver a utilizar o dispositivo avançado de retenção para crianças.

24 Posicione a correia de ombro através do guia da correia de ombro e passe a correia subabdominal através das ranhuras para a correia subabdominal do veículo. Encaixe a fivela e puxe o cinto de segurança para garantir que está preso. **24** **25**

A correia de ombro deve passar pelo guia da correia de ombro.

24 -1

A correia subabdominal deve passar pela ranhura para a correia subabdominal.

O dispositivo avançado de retenção para crianças não pode ser utilizado se a fivela do cinto de segurança (conector fêmea da fivela) for demasiado longa para fixar o dispositivo de retenção em segurança. **24** -2

NUNCA utilize um cinto de segurança de 2 pontos (correia subabdominal apenas) para prender a criança.

NÃO utilize a correia de ombro solta ou posicionada debaixo do braço.

NÃO utilize a correia de ombro atrás das costas da criança.

NÃO deixe a criança deslizar para baixo no dispositivo avançado de retenção para crianças em caso de estrangulamento.

Retirar a capa de tecido

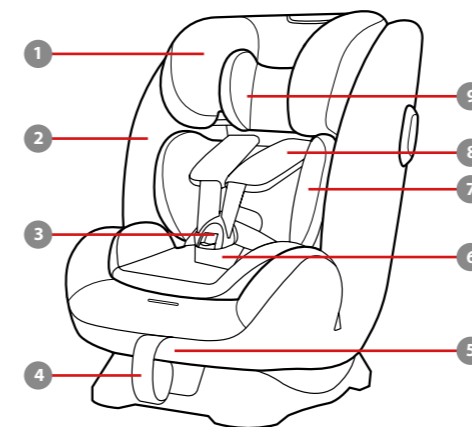
Ver imagens **26** - **34**

26 Pressione o botão vermelho para abrir a fivela.

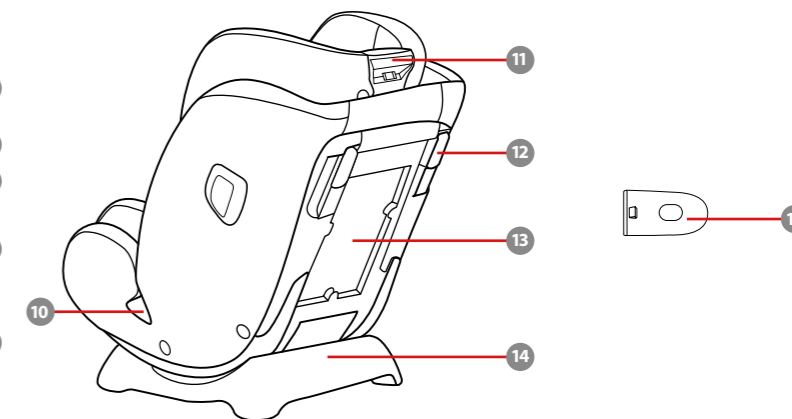
Siga os passos **27** - **34** para retirar a capa de tecido.

Para voltar a colocar a capa de tecido, repita os passos indicados acima na ordem inversa.

Lista części



- 1 Oparcie głowy
- 2 Siedzenie
- 3 Sprzączka
- 4 Pas regulatora upręży
- 5 Dźwignia regulacji nachylenia
- 6 Osłona upręży kroczonej
- 7 Oparcie ciała
- 8 Osłony upręży na ramiona
- 9 Poduszka zagłówka
- 10 Szczeliny pasa biodrowego pojazdu
- 11 Dźwignia regulacji oparcia głowy



- 12 Blokada pasa pojazdu
- 13 Wnęka przechowywania instrukcji obsługi
- 14 Baza
- 15 Zabezpieczenie przed uderzeniem bocznym (*używanie wyłącznie po stronie drzwi)

WAŻNE

PRZED UŻYCIEM FOTELIKA PROSIMY ZAPOZNAĆ SIĘ Z ZAWIERAJĄCĄ WAŻNE INFORMACJE INSTRUKCJĄ I ZACHOWAĆ JĄ NA PRZYSZŁY UŻYTEK. CZYTAJ UWAGNIE. NIEPRZESTRZEGANIE TYCH INSTRUKCJI MOŻE SPOWODOWAĆ NARAŻENIE BEZPIECZEŃSTWA TWOJEGO DZIECKA.

⚠️ OSTRZEŻENIE:
WAŻNE, NALEŻY ZACHOWAĆ DO WYKORZYSTANIA W PRZYSZŁOŚCI. NALEŻY PRZECZYTAĆ UWAGNIE.

NALEŻY uważać, aby elementy sztywne i elementy plastikowe systemu fotelika samochodowego był umiejscowione i zainstalowane tak, aby nie zostały uchwycone przez ruchome siedzenie lub w drzwiach pojazdu.

NIE WOLNO umieszczać podwyższonego fotelika samochodowego skierowanego do tyłu na fotelach, w których zainstalowana jest aktywna przednia poduszka powietrzna.

Aby używać ten podwyższony fotelik dla dziecka, zgodnie z przepisami UN Nr 129, dziecko musi spełniać następujące wymagania.

Ustawienie tyłem do kierunku jazdy: Wzrost dziecka 40 - 105 cm /maks. 22kg

Ustawienie przodem do kierunku jazdy: Wzrost dziecka 100cm - 145cm / 15kg - 36kg

Podwyższony fotelik samochodowy dla dziecka w przypadku używania w niektórych pozycjach, nie pasować do wszystkich dopuszczonych pojazdów.

Pasy utrzymujące podwyższony fotelik samochodowy dla dziecka w pojeździe powinny być naprężone, pasy, którymi przypięte jest dziecko powinny być dopasowane do budowy jego ciała. Pasy nie powinny być poskręcane.

Po umieszczeniu dziecka w tym podwyższonym foteliku samochodowym, musi zostać prawidłowo założony pas bezpieczeństwa. Należy się upewnić, że został napięty nisko założony pas biodrowy, podtrzymujący biodro.

Ten fotelik samochodowy dla dziecka należy wymienić na nowy w przypadku jego narażenia na działanie gwałtownych naprężeń w wyniku wypadku. Wypadek może spowodować niewidoczne

uszkodzenie.

Należy mieć na uwadze niebezpieczeństwo wynikające z wykonywania zmian lub przerw w urzędzeniu bez uzyskania zatwierdzenia przez adekwatny urząd oraz niebezpieczeństwo wynikające z nieprzestrzegania instrukcji instalacji dostarczanych przez producenta podwyższonego dziecięcego fotelika samochodowego.

Podwyższony fotelik samochodowy należy chronić przed promieniami słonecznymi. W przeciwnym razie może być on zbyt gorący dla skóry dziecka. Przed umieszczeniem dziecka należy zawsze dotknąć podwyższony fotelik dla dziecka.

NIGDY nie należy pozostawiać dziecka w podwyższonym foteliku samochodowym bez opieki.

Wszelki bagaż lub inne przedmioty, które mogą spowodować obrażenia ciała w razie kolizji powinny być prawidłowo zabezpieczone.

NIE NALEŻY UŻYWAĆ systemu podwyższonego fotelika dla dziecka, bez miękkich wkładek.

Miękkich wkładek nie należy zastępować innymi niż zalecane przez

producenta, ponieważ stanowią one integralny element skuteczności działania fotelika dla dziecka.

Przed zakupieniem należy sprawdzić, czy ten podwyższony fotelik dla dziecka można prawidłowo zainstalować w pojeździe.

ŻADEN podwyższony dziecięcy fotelik samochodowy nie gwarantuje pełnej ochrony przed obrażeniami w wypadku. Jednak prawidłowe użycie tego fotelika w znaczny sposób ograniczy ryzyko poważnego uszczerbku na zdrowiu lub śmierci dziecka.

NIE należy montować ani używać tego podwyższonego fotelika samochodowego, nie postępując ściśle według instrukcji i ostrzeżeń zawartych w tej Instrukcji, ponieważ w przeciwnym razie dziecko może zostać narażone na poważne obrażenia lub śmierć.

NIE należy używać tego podwyższonego fotelika samochodowego, jeśli jest uszkodzony lub gdy brakuje w nim części.

NIE należy pozostawiać dziecka w dużym/zbyt obszernym ubraniu, ponieważ może to uniemożliwić

prawidłowe i bezpieczne zamocowanie dziecka paskami uprząży na ramionach i pasem kroczywym między udami.

WAŻNE - NIE NALEŻY UŻYWAĆ W TRYBIE PODSTAWKI PODWYŻSZAJĄCEJ, ZANIM DZIECKO OSIĄGNIJE WZROST 100 CM (patrz instrukcje).

Pielęgnacja i konserwacja

Po wyjęciu pianki z wkładki dla noworodków należy ją umieścić w miejscu, do którego dziecko nie ma dostępu.

Elementy miękkie należy myć zimną wodą o temperaturze poniżej 30°C.

Nie należy prasować miękkich elementów.

Nie należy wybielać lub czyścić chemicznie miękkich elementów.

Nie należy używać nierozcieńczonego neutralnego detergentu, benzyny lub innych rozpuszczalników organicznych do mycia fotelika dziecięcego. Mogą one spowodować uszkodzenie fotelika samochodowego dla dziecka.

Nie należy wykręcać na siłę miękkich elementów w celu ich wysuszenia.

Może to spowodować pofałdowanie elementów miękkich.

Elementy miękkie należy zawiesić w cieniu w celu ich wysuszenia.

Podwyższony fotelik samochodowy dla dziecka i podstawę należy wyjąć z pojazdu, gdy długo nie będą używane. Podwyższony fotelik samochodowy należy umieścić w chłodnym, suchym miejscu, bez dostępu dziecka.

Podczas czyszczenia nie należy manipulować przy sprzączkach uprząży.

gracobaby.eu
www.gracobaby.pl

Informacje o produkcie

Tryb skierowania do tyłu

- To jest uniwersalny system podwyższonego fotelika samochodowego przypinanego pasami. Posiada on aprobatę zgodności z regulacją UN Nr 129, do używania w głównie w "Uniwersalnych pozycjach siedzenia", według wskazania producentów pojazdów w podręczniku użytkownika pojazdu.
- W przypadku wątpliwości, należy się skontaktować z producentem podwyższonego fotelika samochodowego dla dziecka lub sprzedawcą.

Tryb skierowania do przodu

- To jest system podwyższonego fotelika samochodowego z podstawką podwyższającą i-Size. Posiada on aprobatę zgodności z regulacją UN Nr 129, do używania w głównie w "pozycjach siedzenia i-Size", według wskazania producentów pojazdów w podręczniku użytkownika pojazdu.
- W przypadku wątpliwości, należy

się skontaktować z producentem podwyższonego fotelika samochodowego dla dziecka lub sprzedawcą.

Materiały Tworzywa sztuczne, metale, tkaniny

Nr patentu W trakcie patentowania

Uwagi dotyczące montażu

Patrz rysunki 1 - 3

- NIE należy instalować tego fotelika samochodowego dla dziecka na siedzeniach pojazdu usytuowanych bokiem lub do tyłu w odniesieniu do kierunku jazdy pojazdu. Zaleca się instalację tego fotelika samochodowego dla dziecka na tylnym siedzeniu pojazdu. NIE należy instalować tego fotelika samochodowego dla dziecka na przesuwalnych siedzeniach pojazdu podczas instalacji.
- NIE należy umieszczać skierowanego do tyłu fotelika samochodowego dla dziecka na

przednim siedzeniu pojazdu z poduszką powietrzną, ponieważ może to spowodować śmierć lub poważne obrażenia. Dalsze informacje znajdują się w podręczniku właściciela pojazdu.

3 Ten fotelik samochodowy dla dziecka jest odpowiedni tylko do siedzeń samochodowych wyposażonych w 3-punktowy pas bezpieczeństwa ze związaniem.

NIE należy instalować tego fotelika samochodowego dla dziecka na siedzeniach pojazdu z pasami biodrowymi.

Stosowanie zabezpieczenia przed uderzeniem bocznym

Patrz rysunki **4** - **5**

4 Podwyższony fotelik samochodowy dla dziecka, jest dostarczany z wyjmowanym zabezpieczeniem przed uderzeniem bocznym. Dla najlepszej ochrony, to dodatkowe zabezpieczenie boczne musi być używane podczas jazdy po stronie

drzwi pojazdu.

5 Naciśnij przycisk zwalniania, aby wyjąć zabezpieczenie przed uderzeniem bocznym.

Regulacja nachylenia

Patrz rysunki **6** - **7**

6 Naciśnij dźwignię regulacji nachylenia i ustaw odpowiednią pozycję podwyższonego fotelika samochodowego dla dziecka.

7 Kąty nachylenia są pokazane na ilustracji **7**

Dla trybu skierowania do tyłu dostępne są dwa kąty nachylenia 5-6.

Dla trybu skierowania do przodu dostępne są cztery kąty nachylenia 1-4.

Wyrównać górny wskaźnik nachylenia z numerami na dole, dla wymaganego położenia wychylenia.

Regulacja wysokości dla oparcia głowy i uprząży na ramiona

Patrz rysunki **8** - **10**

8 Podczas używania w trybie skierowania do tyłu, wysokość uprząży na ramiona musi się pokrywać lub znajdować się lekko poniżej wysokości ramion dziecka.

Jeżeli uprząż na ramiona nie będzie się znajdować na właściwej wysokości w razie wypadku dziecko może zostać wyrzucone z fotelika samochodowego.

9 W przypadku używania w trybie skierowania do przodu prowadnice pasów na ramiona muszą znajdować się na wysokości ramion dziecka lub nieco powyżej.

Dopasuj oparcie głowy i uprząż na ramiona do wzrostu dziecka.

10 Ściśnij dźwignię regulacji oparcia głowy **10**-1, a w międzyczasie pociągnij w górę lub pchnij w dół oparcie głowy, aż do kliknięcia w jednej z pozycji. Pozycje oparcia głowy są pokazane na ilustracji **10**-2

Ponieważ zagłówek jest regulowany w górę (od pozycji 6-tej-9-tej), boki podwyższonego fotelika dla dziecka, automatycznie przesuwają się na zewnątrz, aby zapewnić więcej miejsca na ramiona.

Tryb skierowania do tyłu

(Wzrost dziecka 40 - 105 cm / Waga dziecka ≤ 22kg)

Patrz rysunki **11** - **21**

Zainstaluj dziecięcy fotelik samochodowy na tylnym siedzeniu pojazdu, a następnie umieść dziecko w foteliku samochodowym.

Instalacja dla trybu skierowania do tyłu

Wyreguluj podwyższony fotelik samochodowy dla dziecka do wymaganego położenia nachylenia (2 położenia w trybie skierowania do tyłu). Wyrównaj górny wskaźnik nachylenia z jednym z białych numerów na dole.

Przed zamontowaniem dziecięcego fotelika samochodowego upewnij się, że uprząż na ramiona jest wyregulowana do prawidłowej wysokości.

Podczas instalacji i regulacji pasów bezpieczeństwa należy się upewnić, że pas na ramiona i pas biodrowy nie są skręcone i nie uniemożliwiają prawidłowego działania pasa bezpieczeństwa.

11 Przełóż pas biodrowy pojazdu przez szczeliny pasa biodrowego pojazdu.

12 Następnie wsuń języczek sprzączki pojazdu do sprzączki.

Pas biodrowy pojazdu musi przechodzić pod podparciem ciała.

13 Przeprowadź pas na ramiona pojazdu przez dwie skierowane do tyłu szczeliny mocowania pasa na ramiona z tyłu podwyższonego fotelika samochodowego dla dziecka.

14 Otwórz wyłącznik blokady pasa i przeprowadź przez niego pas na ramiona.

Upewnij się, że wyłącznik blokady pasa jest całkowicie zamknięty,

gdy nie jest używany, aby zapobiec obrażeniu ciała lub uszkodzeniu tapicerki w pojeździe.

15 Mocno dociśnij podwyższony fotelik samochodowy dla dziecka i pociągnij pas na ramiona pojazdu w celu pewnego przymocowania podwyższonego fotelika samochodowego dla dziecka.

15-1 & **15**-2

Należy pamiętać o zamknięciu wyłącznika blokady po sprawdzeniu, czy dziecięcy fotelik samochodowy jest pewnie przymocowany. **15**-3 & **15**-4

Podczas zamykania zacisków wyłącznika blokady trzymać palce z daleka celem uniknięcia obrażeń.

Podwyższonego fotelika dziecięcego nie wolno używać, jeżeli sprzączka pasa bezpieczeństwa w pojeździe (żeńską końcówką sprzączki) jest za długa, aby pewnie przymocować podwyższony fotelik dla dziecka.

Należy dwukrotnie sprawdzić, czy podwyższony fotelik samochodowy dla dziecka jest bezpiecznie przymocowany i czy nie przemieszcza się na fotelu

pojazdu.

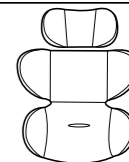
16 Prawidłowo założony pas bezpieczeństwa pojazdu pokazano na ilustracji **16**

Należy się upewnić, że pas biodrowy pojazdu przechodzi przez szczeliny pasa biodrowego pojazdu. **16**-1

Należy się upewnić, że pas na ramiona pojazdu przechodzi przez skierowaną do tyłu szczelinę pasa pojazdu. **16**-2

Język sprzączki jest prawidłowo zatrzaśnięty w sprzączce, jak na ilustracji **16**-3

Podczas zabezpieczania dziecka w foteliku samochodowym dla dziecka należy użyć podparcia ciała i poduszkę zagłówek



Zalecamy używanie poduszki zagłówek i podparcia ciała, przy wzroście dziecka poniżej 60 cm, a korzystając z nich można, dopóki dziecko nie wyrośnie z podparcia ciała. Poduszka zagłówek i podparcie ciała zwiększają ochronę przed uderzeniami bocznymi.

17 Naciskając przycisk regulacji upręży, wyciągnij całkowicie dwa pasy upręży na ramiona podwyższonego fotelika samochodowego dla dziecka.

18 Naciśnij przycisk, aby zwolnić sprzączkę.

19 Zamocuj sprzączki z obu stron siedzenia, aby posadzenie dziecka było bardziej wygodne.

Umieść dziecko w podwyższonym foteliku samochodowym dla dziecka i przełóż oba ramiona przez uprząż.

20 Zatrzaśnij sprzączkę.

21 Pociągnij do siebie regulator upręży celem wyregulowania jej prawidłowej długości i aby się upewnić, że dziecko jest wygodnie zabezpieczone.

Po posadzeniu dziecka sprawdź ponownie, czy uprząż na ramiona znajduje się na prawidłowej wysokości.

Dziecko zawsze powinno być zabezpieczone uprężą i odpowiednio przytrzymane przez usunięcie wszystkich luzów.

Tryb skierowania do przodu

(Wzrost dziecka 100cm - 145cm)

Patrz rysunki **22** - **25**

Instalacja dla trybu skierowania do przodu

Podczas używania w trybie przodem do kierunku jazdy, należy zdjąć podparcie ciała i umieścić paski szelek naramiennych, sprzączki i języki sprzączek w schowkach do chowania upręży.

Poduszkę zagłówek można używać, gdy jest to wygodne dla głowy dziecka.

Przed umieszczeniem w schowkach pasów na ramiona i sprzączki należy wyregulować uprząż na ramiona do odpowiedniej długości.

Ustaw podwyższony fotelik samochodowy dla dziecka w wymaganej pozycji nachylenia. (4 pozycje dla trybu skierowania do przodu). Wyrównaj górny wskaźnik nachylenia z jednym z białych numerów na dole.

Podczas używania i regulacji pasów bezpieczeństwa pojazdu sprawdzić, czy nie ma skręceń na pasach bezpieczeństwa pojazdu, które mogą powodować nieprawidłowe przypięcie dziecka.

Naciśnij przycisk, aby zwolnić sprzączkę **18**

Zdejmij pas kroczy, jak pokazano na ilustracji **28**, a następnie podparcie ciała.

Podczas instalacji podwyższonego fotelika samochodowego dla dziecka przodem do kierunku jazdy, nie należy używać podparcia ciała. Poduszkę zagłówek można używać, gdy jest to wygodne dla głowy dziecka.

Aby uniknąć strat, należy dbać o dobry stan osłony pasa kroczonego.

22 Rozłącz zatrzaśki. **22** -1

Podnieś górną klapkę do góry i wyciągnij dolną klapkę do przodu, a następnie schowaj pasy na ramiona do ich schowków. **22** -2

Pociągnij sprzączkę do tyłu wkładki fotela, a następnie schowaj sprzączkę i języki sprzączki do ich odpowiednich schowków. **22** -3 & **22** -4

23 Ponownie zamocuj zatrzaśki w celu ponownego założenia wkładki siedzenia. Ponownie założona wkładka fotela jest pokazana na ilustracji **23**

Zabezpieczenie dziecka w systemie fotelika samochodowego dla dziecka

Sprawdź, czy prowadnice pasa bezpieczeństwa na ramiona pojazdu są na prawidłowej wysokości, kiedy w podwyższonym foteliku samochodowym dla dziecka znajduje się dziecko.

24 Przełóż pas na ramiona przez prowadnicę pasa na ramiona i przeprowadź pas biodrowy przez szczeliny pasa biodrowego pojazdu. Zamknij sprzączkę pasa i pociągnij pas bezpieczeństwa pojazdu celem upewnienia się, że jest napięty. **24** **25**

Pas na ramiona musi przejść przez prowadnicę pasa na ramiona. **24** -1

Pas biodrowy musi przechodzić przez gniazdo pasa biodrowego.

Podwyższonego fotelika dziecięcego nie wolno używać, jeżeli sprzączka pasa bezpieczeństwa w pojeździe (żeńska końcówka sprzączki) jest za długa, aby pewnie przymocować podwyższony fotelik dla dziecka. **24** -2

NIGDY nie należy używać 2-punktowego pasa pojazdu (tylko pas biodrowy) do zabezpieczenia swojego dziecka.

NIE wolno używać pasa na ramiona luźnego lub umieszczonego pod ramieniem.

NIE wolno stosować pasa na ramiona umieszczonego za plecami dziecka.

NIE wolno dopuszczać do zsuwania się dziecka w podwyższonym foteliku samochodowym, może to spowodować uduszenie.

Odłączanie miękkich elementów

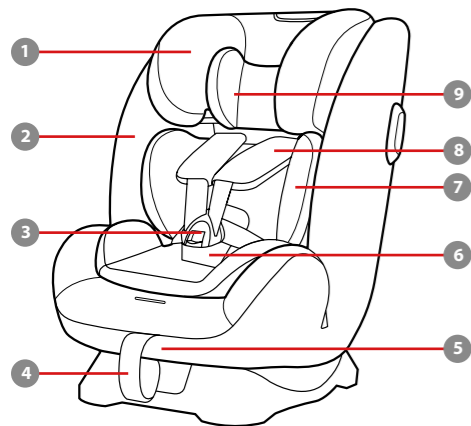
Patrz rysunki **26** - **34**

26 Naciśnij czerwony przycisk, aby zwolnić sprzączkę.

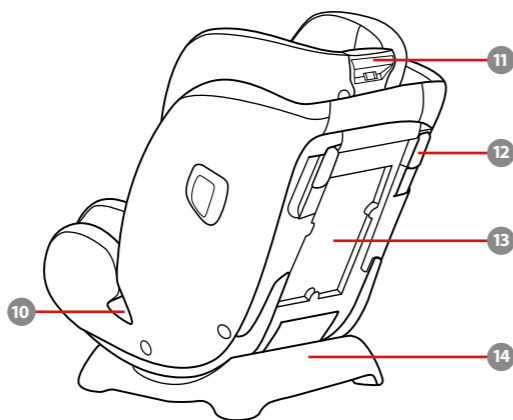
Aby odłączyć miękkie elementy, wykonaj czynności **27** - **34**.

Aby ponownie zamontować miękkie elementy, wykonaj czynności opisane powyżej w odwrotnej kolejności.

Seznam dílů



- 1 Podhlavník
- 2 Sedák
- 3 Přezka
- 4 Popruh pro nastavení postroje
- 5 Rukojeť nastavení sklonu
- 6 Polstr mezinožního postroje
- 7 Opora těla
- 8 Polstry ramenního postroje
- 9 Poduška opěrky hlavy
- 10 Otvor pro bederní pás vozu
- 11 Páčka nastavení opěrky hlavy



- 12 Vodič bezpečnostního pásu vozu
- 13 Příhrádka na návod
- 14 Základna
- 15 Ochrana proti bočnímu nárazu
(*lze používat pouze na straně u dveří)



DŮLEŽITÉ

PŘED POUŽITÍM SI POZORNĚ PŘEČTĚTE TYTO POKYNY A USCHOVEJTE JE PRO BUDOUCÍ POUŽITÍ. V PŘÍPADĚ NEDODRŽENÍ TĚCHTO POKYNŮ MŮŽE DOJÍT K OHROŽENÍ BEZPEČNOSTI VAŠEHO DÍTĚTE.

VAROVÁNÍ:
DŮLEŽITÉ, USCHOVEJTE PRO BUDOUCÍ POUŽITÍ: POZORNĚ ČTĚTE.

DBEJTE na to, aby pevné předměty a plastové části vylepšené dětské autosedačky byly umístěny a instalovány tak, aby nemohly být zachyceny pohyblivým sedadlem nebo dveřmi vozidla.

NEPOUŽÍVEJTE vylepšené dětské autosedačky v orientaci proti směru jízdy na sedadlech, na kterých je nainstalován aktivní čelní airbag.

Aby bylo možné používat tento vylepšený dětský zádržný systém v souladu s předpisem OSN č. 129, musí vaše dítě splňovat následující požadavky.

Orientace proti směru jízdy: Výška dítěte 40 - 105 cm/ max. 22 kg

Orientace po směru jízdy: Výška dítěte 100 - 145 cm/ 15 - 36 kg

Je možné, že tuto vylepšenou dětskou autosedačku nebude možné umístit do všech schválených vozů při použití v některé z poloh.

Veškeré popruhy, které přidržují tuto vylepšenou dětskou autosedačku k vozidlu, musí být utažené. Všechny popruhy zajišťující dítě musí být nastaveny podle jeho těla. Popruhy nesmí být zkroutené.

Po umístění dítěte do této vylepšené dětské autosedačky musí být správně použit bezpečnostní pás. Zkontrolujte, aby nebyl žádný z bederních popruhů v dolní části opotřebovaný a aby byla pánev pevně zajištěna.

Pokud byla tato vylepšená dětská autosedačka vystavena nadměrnému prnutí při dopravní nehodě, musí být vyměněna. Při dopravní nehodě může dojít ke skrytému poškození.

Zvažte nebezpečí, které s sebou nesou jakékoli úpravy nebo doplňky tohoto zařízení, které nebyly schváleny kompetentním orgánem. Dále zvažte nebezpečí, které vyplývá z nedodržení pokynů pro instalaci od výrobce této vylepšené dětské autosedačky.

Tuto vylepšenou dětskou autosedačku uchovávejte mimo přímé sluneční světlo. V opačném případě bude příliš horká pro pokožku dítěte. Před umístěním dítěte vždy dotykem zkontrolujte teplotu vylepšené dětské autosedačky.

V ŽÁDNÉM PŘÍPADĚ nenechávejte své dítě s touto vylepšenou dětskou autosedačkou bez dozoru.

Veškerá zavazadla nebo jiné předměty, které v případě nehody mohou způsobit zranění, musí být řádně zajištěny.

Tento vylepšený dětský zádržný systém NELZE používat bez látkových potahů.

Látkové potahy smí být nahrazeny pouze podle doporučení výrobce, protože se nedílnou částí podílejí na účinnosti zádržného systému.

Před zakoupením zkontrolujte, zda lze tuto vylepšenou dětskou autosedačku řádně nainstalovat do vašeho vozu.

ŽÁDNÁ vylepšená dětská autosedačka nezaručuje plnou ochranu před zraněním v případě nehody. Správným používáním této vylepšené dětské autosedačky se ale sníží riziko vážného zranění nebo smrti vašeho dítěte.

VŽDY instalujte tuto vylepšenou dětskou autosedačku výhradně v souladu s tímto návodem. V opačném případě vystavujete své dítě nebezpečí vážného zranění nebo smrti.

V ŽÁDNÉM PŘÍPADĚ nepoužívejte tuto vylepšenou dětskou autosedačku, pokud je nekompletní nebo poškozená.

NEOBLÉKEJTE své dítě do oblečení, které je příliš/nadměrně velké. Mohlo by to zabránit řádnému a bezpečnému uchycení dítěte ramenními popruhy a popruhy mezi nohama.

DŮLEŽITÉ - NEPOUŽÍVEJTE AUTOSEDAČKU PO SMĚRU JÍZDY, DOKUD VÝŠKA DÍTĚTE NEPŘESÁHNE 100 CM (viz návod).

Péče a údržba

Vyjměte pěnovou vložku pro novorozence a uložte ji mimo dosah dětí.

Látkové části umývejte vlažnou vodou do teploty 30°C.

Látkové části nežehlete.

Na látkové části nepoužívejte bělidlo ani je nečistěte za sucha.

Tento výrobek nemýjte nezředěným neutrálním čisticím prostředkem, benzínem ani jiným organickými rozpouštědly. Mohlo by dojít k poškození autosedačky.

Nesnažte se kroutit ani ždímat látkové části sedačky velkou silou. Může to na látkových částech zanechat záhyby.

Látkové části sušte zavěšené ve stínu.

Pokud vylepšenou dětskou autosedačku a základnu delší dobu nepoužíváte, vyjměte je z vozidla. Vylepšenou dětskou autosedačku skladujte na chladném a suchém místě mimo dosah dětí.

Během čištění se vyhybejte konektorům a nezasahujte ani do přezky a postroje, aby nedošlo k jejich poškození.

gracobaby.eu

www.gracobaby.pl

Informace o produktu

Proti směru jízdy

1. Toto je univerzální pásem připravený zdokonalený dětský zádržný systém. Byl schválen v souladu s předpisem OSN č. 129 pro používání primárně na „místech k sezení Universal“ dle pokynů výrobce vozidla v návodu k vozidlu.
2. Pokud si nebudete jisti, obraťte se na výrobce nebo prodejce této vylepšené dětské autosedačky.

Po směru jízdy

1. Toto je vylepšená dětská autosedačka i-Size. Byl schválen v souladu s předpisem OSN č. 129 pro používání primárně na „místech k sezení i-Size“ dle pokynů výrobce vozidla v návodu k vozidlu.
2. Pokud si nebudete jisti, obraťte se na výrobce nebo prodejce této vylepšené dětské autosedačky.

Materiály Plasty, kovy, textil

Č. patentu Čeká na udělení patentu

Dbejte při instalaci

Viz obrázky 1 - 3

- 1 NEINSTALUJTE tuto dětskou autosedačku na sedadla vozu, která směřují do strany nebo dozadu vzhledem ke směru pohybu vozu.

Tuto dětskou autosedačku doporučujeme nainstalovat na zadní sedadlo vozu.

Tuto dětskou autosedačku NEINSTALUJTE na sedadla vozidla, která se během instalace pohybují.

- 2 NEUMÍSTUJTE dětskou autosedačku v orientaci proti směru jízdy na přední sedadlo vybavené airbagem, protože hrozí nebezpečí smrti nebo vážného zranění. Vyhledejte další informace v návodu na používání automobilu.

- 3 Tato dětská autosedačka je vhodná pouze pro sedadla vozů vybavených 3bodovým samonavíjecím bezpečnostním pásem.

Tuto dětskou autosedačku NEINSTALUJTE do vozů, které jsou vybaveny pouze kyčelními pásy.

Použití ochrany proti bočnímu nárazu

Viz obrázky 4 - 5

- 4 Tato vylepšená dětská autosedačka je dodávána s odnímatelnou ochranou proti bočnímu nárazu. Pro zajištění maximální ochrany je nutné tuto ochranu proti bočnímu nárazu použít na straně u dveří vozidla.

- 5 Chcete-li ochranu proti bočnímu nárazu odejmout, stiskněte uvolňovací tlačítko.

Nastavení sklonu

Viz obrázky 6 - 7

- 6 Stiskněte tlačítko nastavení sklonu a upravte pozici vylepšené dětské autosedačky do nejvhodnější pozice.

- 7 Možné úhly nastavení jsou ukázány na obrázku 7

K dispozici jsou dva úhly nastavení 5 - 6 pro režim proti směru jízdy.

K dispozici jsou čtyři úhly nastavení 1 - 4 pro režim po směru

jízdy.

Zarovnejte horní indikátor sklonu s dolními čísly pro požadovanou polohu sklonu.

Výškové nastavení pro hlavovou opěrku a ramenní pásy

Viz obrázky 8 - 10

- 8 Při používání proti směru jízdy musí být ramenní pásy zároveň s horní stranou ramen dítěte nebo těsně pod ní.

Pokud nejsou pásy nastaveny do správné výšky, může dítě v případě autonehody z vylepšené dětské autosedačky vypadnout.

- 9 Při používání po směru jízdy musí být otvory pro ramenní pásy zároveň, nebo velmi těsně nad rameny dítěte

Nastavte hlavovou opěrku a ramenní pásy do správné výšky vzhledem k výšce dítěte.

- 10 Sevřete páčku pro nastavení výšky 10-1 a zároveň ji zatlačte dolů, nebo vytáhněte nahoru, dokud nezacvakne do jedné

pozice. Pozice hlavové opěrky jsou uvedeny na obrázku 10-2

Při vysouvání hlavové opěrky (od 6. - 9. pozice) se automaticky vysunují boční strany sedačky a poskytují více prostoru pro ramena.

Proti směru jízdy (Výška dítěte 40 - 105 cm / hmotnost dítěte ≤ 22 kg)

Viz obrázky 11 - 21

Nainstalujte autosedačku na zadním sedadle vozidla a poté usadte dítě do autosedačky.

Instalace proti směru jízdy

Nejprve nastavte úhel sklonu vylepšené dětské autosedačky do vhodné pozice (2 pozice pro instalaci proti směru jízdy). Zarovnejte horní indikátor sklonu s jedním ze spodních bílých čísel.

Před instalací vylepšené dětské autosedačky se ujistěte, že jsou ramenní pásy ve správné výšce.

Při upevňování a nastavování pásů se ujistěte, že žádný z nich není překroucen a nezastaví pásy v

plnění jejich správné funkce.

- 11 Proveďte kyčelní pás vozu otvorem pro kyčelní pás vozu.

- 12 Potom zapněte jazýček přezky pásu vozu do přezky. Bederní bezpečnostní pás vozu musí procházet pod oporou těla.

- 13 Upevněte ramenní pás vozu do dolního a horního otvoru na pás na zadní straně vylepšené dětské autosedačky.

- 14 Ramenní pás musí jít skrz sloty na pásy.

Ujistěte se, že sloty na pásy jsou zapnuty i pokud autosedačku nepoužíváte, abyste předešli zranění, nebo poškození potahů vozidla.

- 15 Zatlačte vylepšenou dětskou autosedačku do sedadla a zároveň utahujte bodové pásy tak, aby byla autosedačka správně a bezpečně zafixovaná. 15-1 & 15-2

Zkontrolujte, zda je vylepšená dětská autosedačka bezpečně upevněná, a zavřete vodič pásu.

- 15-3 & 15-4

Při zavírání svorek vodičů pásů dávejte pozor, abyste si neporanili

prsty.

Tuto vylepšenou dětskou autosedačku nelze instalovat do vozů, u kterých je přezka bezpečnostního pásu vozu (zásuvková část přezky) příliš daleko od sedadla a neumožňuje tak bezpečnou instalaci.

Ještě jednou zkontrolujte, zda je vylepšená dětská autosedačka bezpečně nainstalována a nepohybuje se na sedadle vozu.

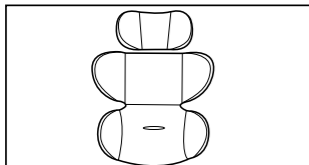
- 16 Správně namontovaný pás vozidla je ukázán na obrázku 16

Zkontrolujte, zda bederní pás vozu prochází otvorem pro bederní pás vozu. 16-1

Ramenní pás prochází skrz sloty na ramenní pás. 16-2

Přezka pásu vozidla je správně sepnutá dle obrázku 16-3

Zapnutí dítěte do autosedačky s použitím opory těla a podušky opěrky hlavy



Doporučujeme používat vložku opěrky hlavy a vnitřní vložku pro dítě do 60 cm a lze ji používat do té doby, dokud dítě z vnitřní vložky nevyroste. Vložka opěrky hlavy a vnitřní vložka zvyšují ochranu v případě bočního nárazu.

17 Nejprve stiskněte a držte tlačítko pro povolení postroje a povolte zcela oba ramenní pásy vylepšené dětské autosedačky.

18 Stiskněte tlačítko pro odepnutí spony.

19 Upevněte přezky na obou stranách sedačky tak, aby bylo vložení dítěte pohodlnější.

Usadte dítě do vylepšené dětské autosedačky a protáhněte obě jeho ruce skrz postroj.

20 Zapněte přezku.

21 Zatáhněte za pás nastavení délky postroje a utáhněte je tak, abyste zajistili, že je dítě pevně připoutáno.

Jakmile je dítě usazeno, zkontrolujte zda je správně nastavená výška pásů.

Vždy uchovávejte dítě zajištěné v řádně utaženém postroji bez zbytečné vůle.

Po směru jízdy (Výška dítěte 100 - 145 cm)

Viz obrázky **22** - **25**

Instalace po směru jízdy

Při používání autosedačky po směru jízdy vyjměte oporu těla a umístěte popruhy ramenního postroje, přezku a jazýčky přezky do úložných prostor postroje.

Podušku opěrky hlavy lze použít, pokud je to pohodlné pro hlavu dítěte.

Před uložením ramenních popruhů a přezky do úložných prostor nastavte správnou délku ramenních popruhů.

Nastavte úhel sklonu vylepšené dětské autosedačky do vhodné polohy. (4 polohy pro instalaci po směru jízdy). Zarovnejte horní indikátor sklonu s jedním ze spodních bílých čísel.

Při upevňování a nastavování bezpečnostního pásu vozu se ujistěte, že není překroucený, aby se zabránilo nesprávnému upevnění dítěte.

Stiskněte červené tlačítko pro odepnutí spony viz **18**

Vyjměte rozkrokový pás podle obrázku **28** a potom oporu těla.

Při instalování vylepšené dětské autosedačky po směru jízdy nepoužívejte oporu těla. Podušku opěrky hlavy lze použít, pokud je to pohodlné pro hlavu dítěte.

Řádně uschovejte polstr rozkrokového pásu, aby se zabránilo jeho ztrátě.

22 Rozepněte patenty. **22** -1

Zvedněte horní klopku nahoru, vytáhněte dolní klopku dopředu a potom uložte ramenní popruhy do příslušných úložných prostor.

22 -2
Zatáhněte přezku k zadní části vložky sedačky a potom uložte přezku a jazýčky přezky do příslušných úložných prostor.

22 -3 & **22** -4

23 Znovu připněte úchyty vložky sedačky. Znovunasazený polstr sedačky je zobrazen na obrázku **23**

Zajištění dítěte ve vylepšené dětské autosedačce

Když se dítě nachází ve vylepšené autosedačce, zkontrolujte, zda jsou vodítka ramenního pásu vozu

ve správné výšce.

24 Proveďte ramenní pás otvorem pro ramenní pás a bederní pás vozu otvory pro bederní pás. Zapněte přezku a zatažením pásu vozu zkontrolujte, zda je napnutý.

24 **25**

Ramenní pás musí procházet otvorem pro ramenní pás. **24** -1

Bederní pás musí procházet otvorem pro bederní pás.

Zdokonalený dětský zádržný systém nelze instalovat do vozů, u kterých je přezka bezpečnostního pásu vozu (samičí část svorky) příliš daleko od sedadla a neumožňuje tak bezpečnou instalaci. **24** -2

V ŽÁDNÉM PŘÍPADĚ nepoutejte dítě pomocí 2bodového bezpečnostního pásu (pouze bederní pás).

NEPOUŽÍVEJTE ramenní pás uvolněný ani umístěný pod paží.

NEPOUŽÍVEJTE ramenní pás za zády dítěte.

ZABRAŇTE tomu, aby dítě v této vylepšené dětské autosedačce sklouzlo dolů – hrozí nebezpečí uškrcení.

Sejmutí látkových částí

Viz obrázky **26** - **34**

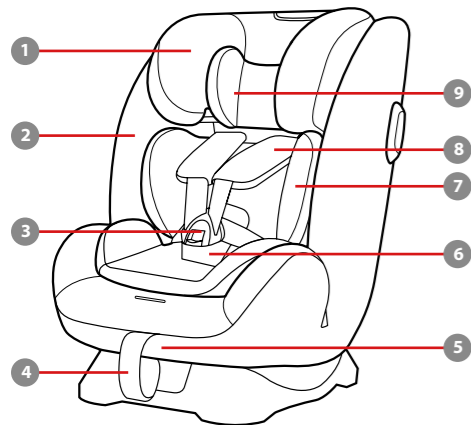
26 Stiskněte červené tlačítko pro odepnutí přezky.

Sejměte látkové části podle kroků

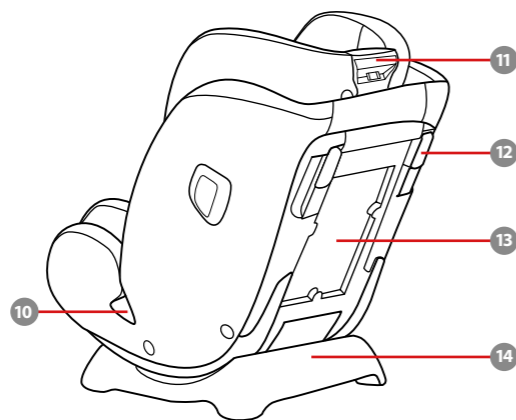
27 - **34**

Při nasazování podhlavníku a novorozenecké vložky postupujte v obráceném pořadí.

Zoznam jednotlivých častí



- 1 Opierka hlavy
- 2 Sedačka
- 3 Spona
- 4 Remienok na nastavenie popruhov
- 5 Rukoväť na nastavenie sklonu
- 6 Kryt rozkrokového popruhu
- 7 Telová podložka
- 8 Kryty ramenných popruhov
- 9 Poduška opierky hlavy



- 10 Otvory pre panvový pás vozidla
- 11 Páčka na nastavenie opierky hlavy
- 12 Zaisťovacie zariadenie pásu vozidla
- 13 Úložný priestor na Návod na použitie
- 14 Základňa
- 15 Modul ochrany proti bočnému nárazu (*musí sa používať len na strane dverí)



DÔLEŽITÉ

PREĎ POUŽITÍM SI POZORNE PREČÍTAJTE TIETO POKYNY A UCHOVAJTE ICH PRE NESKORŠIE POUŽITIE. AK NEBUDETE DODRŽIAVAT' TIETO POKYNY, MÔŽE TO MAŤ VPLYV NA BEZPEČNOSŤ VÁŠHO DIEŤAŤA.

▲ VÝSTRAHA: DÔLEŽITÉ UPOZORNENIE, ULOŽTE PRE BUDÚCE POUŽITIE: POZORNE SI PREČÍTAJTE.

BUĎTE OBOZRETNÍ a dbajte na to, aby pevné predmety a plastové časti zosilneného detského zadržiavacieho systému boli umiestnené a inštalované tak, aby nebolo možné ich zachytenie do pohyblivých sedadiel alebo dverí vozidla.

NEPOUŽÍVAJTE zosilnené detské zadržiavacie systémy smerujúce tvárou dozadu na miestach na sedenie, kde je nainštalovaný aktívny čelný airbag.

Na používanie tejto zosilnenej detskej autosedačky podľa Predpisu OSN č. 129 musí vaše dieťa spĺňať nasledujúce požiadavky.

Pri smerovaní tvárou dozadu: Výška dieťaťa 40 až 105 cm/max. 22kg

Pri smerovaní tvárou dopredu: Výška dieťaťa 100 až 145 cm/15 až 36 kg

Zosilnená detská autosedačka nemusí byť vhodná pre všetky schválené vozidlá pri použití v niektorých polohách.

Všetky popruhy, ktoré pridržiavajú zosilnenú detskú autosedačku k vozidlu, musia byť utiahnuté a všetky popruhy, ktoré držia dieťa, musia byť prispôbené telu dieťaťa, pričom žiadne popruhy nesmú byť skrútené.

Po umiestnení dieťaťa do tejto zosilnenej detskej autosedačky sa musí správne použiť bezpečnostný pás. Zaisťte, aby bedrový popruh prechádzal nízko v spodnej časti s pevne pripútanou panvou a musí byť napnutý.

Táto zosilnená detská autosedačka sa musí vymeniť v prípade, že bola vystavená intenzívnemu namáhaniu pri nehode. Nehoda môže spôsobiť poškodenie, ktoré nemusí byť viditeľné.

Berte do úvahy nebezpečenstvo vyplývajúce z vykonávania akýchkoľvek zmien alebo doplnení zariadenia bez súhlasu zodpovedajúceho orgánu a nebezpečenstva vyplývajúceho z toho, že sa nebudú dôsledne dodržiavať

pokyny na inštaláciu poskytnuté výrobcom zosilnenej detskej autosedačky.

Udržiavajte túto zosilnenú detskú autosedačku mimo slnečného svetla, v opačnom prípade môže byť pre pokožku dieťaťa príliš horúca. Pred vloženie dieťaťa do zosilnenej detskej autosedačky sa jej vždy dotknite.

NIKDY nenechávajte svoje dieťa s touto zosilnenou detskou autosedačkou bez dozoru.

Akákoľvek batožina alebo iné predmety, ktoré by mohli spôsobiť zranenie v prípade kolízie, sa musia správnym spôsobom zaisťiť.

Zosilnený detský zadržiavací systém sa NESMIE POUŽÍVAŤ bez mäkkých textílií.

Mäkké textílie sa nesmú nahrádzať inými než odporúčanými výrobcom, pretože mäkké textílie tvoria neoddeliteľnú súčasť charakteristických vlastností detskej autosedačky.

Pred zakúpením skontrolujte, či je možné túto zosilnenú detskú autosedačku správne nainštalovať do vášho vozidla.

ŽIADNA zosilnená detská autosedačka nedokáže zaručiť úplnú ochranu

pred zranením pri nehode. Správne používanie tejto zosilnenej detskej autosedačky však znižuje riziko vážneho poranenia alebo smrti dieťaťa.

NEINŠTALUJTE túto zosilnenú detskú autosedačku bez toho, aby ste sa neriadili pokynmi v tejto príručke, pretože inak by ste mohli svoje dieťa vystaviť vážnemu riziku poranenia alebo smrti.

NEPOUŽÍVAJTE túto zosilnenú detskú autosedačku, ak má poškodené alebo chýbajúce časti.

NEOBLIEKAJTE svoje dieťa do veľkých/nadrozmerých odevov, pretože by mohli zabrániť tomu, aby bolo dieťa, správne a bezpečne upevnené ramennými popruhmi a rozkrokovým popruhom medzi nohami.

DÔLEŽITÉ - NEPOUŽÍVAJTE V REŽIME SEDAČKY PO SMERE JAZDY, KÝM VÝŠKA DIEŤAŤA NEDOSIAHNE VIAC AKO 100 CM (pozrite si pokyny).

Starostlivosť a údržba

Po vybratí peny z dočísenej vložky ju uložte niekam mimo dosahu dieťaťa.

Textilné prvky umývajte studenou vodou s teplotou do 30 °C.

Nežehlite mäkké textilie.

Mäkké textilie nebieťte ani chemicky nečistite.

Na umývanie detskej autosedačky nepoužívajte nezriedený neutrálny čistiaci prostriedok, benzín ani iné organické rozpúšťadla. Môže to spôsobiť poškodenie detskej autosedačky.

Textilné prvky nežmýkajte veľkou silou, aby ste ich vysušili. Mohlo by to na textilných prvkoch zanechať zvrásnenie.

Textilné prvky vysušte ich zavesením do tieňa.

Ak sa táto zosilnená detská autosedačka a základňa dlhšie nepoužívajú, vyberte ich zo sedadla vozidla. Zosilnenú detskú autosedačku dajte na chladné a suché miesto, kde sa k nej vaše dieťa nedostane.

Behom čistení sa vyhýbajte konektorom a nezasahujte ani do spony a postroja, aby nedošlo k ich poškodeniu.

gracobaby.eu

www.gracobaby.pl

Informácie o výrobku

Režim smerovania tvárou dozadu

1. Toto je Univerzálny pásom držaný zosilnený detský zadržiaci systém. Je schválený podľa Predpisu OSN č. 129 na použitie predovšetkým na „univerzálnych miestach na sedenie“, ako sa uvádza výrobcami vozidla v návode na používanie vozidla.
2. V prípade pochybností sa obráťte na výrobcu Zosilneného detského zadržiacieho systému alebo predajcu.

Režim smerovania tvárou dopredu

1. Toto je autosedačka Zosilneného detského zadržiacieho systému i-Size. Je schválený podľa Predpisu OSN č. 129 na použitie predovšetkým na „miestach na sedenie vybavené i-Size“, ako sa uvádza výrobcami vozidla v návode na používanie vozidla.

2. V prípade pochybností sa obráťte na výrobcu Zosilneného detského zadržiacieho systému alebo predajcu.

Materiály Plast, kov, textil

Patent č. Patentová prihláška sa prerokúva

Pokyny týkajúce sa inštalácie

Pozrite si obrázky 1 - 3

1. NEINŠTALUJTE túto detskú autosedačku na sedadlá vozidla, ktoré smerujú do boku alebo dozadu vzhľadom na smer pohybu vozidla.

Odporúča sa inštalovať túto detskú autosedačku na zadné sedadlo vozidla.

NEINŠTALUJTE túto detskú autosedačku na sedadlá vozidla, ktoré sú počas inštalácie pohyblivé.

2. NEUMIESTŇUJTE detskú autosedačku na predné sedadlo s airbagom tvárou dozadu (chráťtom v smere jazdy), pretože môže dôjsť k smrti alebo vážnemu

zraneniu. Viac informácií nájdete v návode na obsluhu vozidla.

3. Táto detská autosedačka je vhodná len pre sedadlá vozidiel s 3-bodovým navijacím bezpečnostným pásom. NEINŠTALUJTE túto detskú autosedačku na sedadlá vozidla vybavené bedrovými pásmi.

Použite chránič proti bočnému nárazu

Pozrite si obrázky 4 - 5

4. Zosilnená detská autosedačka sa dodáva s odnímateľným chráničom proti bočnému nárazu. Tento chránič proti bočnému nárazu sa musí používať na strane dverí vozidla, aby sa zaistila čo najlepšia ochrana.

5. Stlačte uvoľňovacie tlačidlo, ak chcete vybrať chránič proti bočnému nárazu.

Nastavenie sklonu

Pozrite si obrázky 6 - 7

6. Ak chcete nastaviť zosilnenú detskú autosedačku do správnej polohy, stlačte rukoväť na nastavenie sklonu.

7. Uhly sklonu sú zobrazené ako 7. V režim smerovania tvárou dozadu sú k dispozícii dva uhly sklonu 5 - 6.

V režime smerovania tvárou dopredu sú k dispozícii štyri uhly sklonu 1 - 4.

Zarovnajte horný indikátor sklonu s dolnými číslami pre požadovanú polohu sklonu.

Nastavenie výšky opierky hlavy a ramenných popruhov

Pozrite si obrázky 8 - 10

8. Pri používaní v režime tvárou dozadu musí byť výška ramenných popruhov zároveň s ramenami dieťaťa alebo tesne pod ich vrcholom.

Ak sa ramenné popruhy nenachádzajú v správnej výške, dieťa môže v prípade havárie vyletieť zo zosilnenej detskej autosedačky.

9. Pri používaní v režime smerovania tvárou dopredu musia byť vodiace prvky ramenných pásov zároveň s ramenami dieťaťa alebo tesne nad nimi.

Nastavte opierku hlavy a ramenné popruhy do správnej výšky podľa výšky dieťaťa.

10. Stlačte páčku na nastavenie opierky hlavy 10-1 a pritom vytiahnite alebo zatlačte opierku hlavy, kým nezapadne do jednej polohy. Polohy opierky hlavy sú zobrazené na obrázku 10-2

Keď sa opierka hlavy nastavuje nahor (zo 6. - 9. polohy), strany detskej autosedačky sa automaticky posúvajú smerom von, aby poskytli väčší priestor pre ramená.

Režim smerovania tvárou dozadu

(Výška dieťaťa 40 – 105 cm / Hmotnosť dieťaťa ≤ 22kg)

Pozrite si obrázky 11 - 21

Nainštalujte detskú autosedačku na zadné sedadlo vozidla a potom do nej vložte dieťa.

Inštalácia pre režim smerovania tvárou dozadu

Nastavte zosilnenú detskú autosedačku do požadovanej polohy sklonu (2 polohy pre režim tvárou dozadu). Zarovnajete horný indikátor sklonu s jedným z dolných bielych čísel.

Pred inštaláciou tejto zosilnenej detskej autosedačky skontrolujte, či je ramenný popruh nastavený do správnej výšky.

Pri inštalácii a nastavovaní bezpečnostných pásov sa uistite, že ramenný a panvový pás sú skrútené a nebránia správne fungovaniu bezpečnostných pásov.

11 Prevlečte panvový pás vozidla cez otvory pre panvový pás vozidla.

12 Potom zacvaknite jazyček spony vozidla do spony.

Panvový pás vozidla musí prechádzať popod telovú podložku.

13 Prevlečte ramenný pás vozidla cez dva otvory pre pás vozidla smerujúce dozadu na zadnej strane zosilnenej detskej autosedačky.

14 Otvorte istenie zámku pásu a prevlečte cez neho ramenný pás.

Zaistite, aby bolo istenie pásu úplne zatvorené, keď sa nepoužíva, aby sa predišlo zraneniu alebo poškodeniu čalúnenia vozidla.

15 Pevne zatlačte zosilnenú detskú autosedačku a potiahnutím ramenného pásu vozidla ju pevne pripútajte. **15** -1 & **15** -2

Po skontrolovaní toho, či je zosilnená detská autosedačka bezpečne pripevnená, zaistite, aby bolo zaistovacie zariadenie zapnuté. **15** -3 & **15** -4

Pri zatváraní príchytiek istenia držte prsy mimo, aby ste predišli poraneniu.

Zosilnená detská autosedačka sa nesmie používať, ak je spona bezpečnostného pásu vozidla (samičí koniec spony) príliš dlhá na pevné ukotvenie zosilnenej detskej autosedačky.

Opakovane skontrolujte, či je zosilnená detská autosedačka bezpečne namontovaná a či sa nepohybuje na sedadle vozidla.

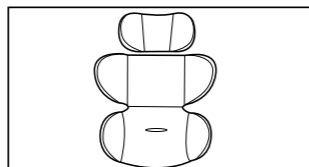
16 Správne zostavený pás vozidla je zobrazený ako **16**

Zaistite, aby bedrový pás vozidla prechádzal cez otvor pre bedrový pás vozidla. **16** -1

Zaistite, aby ramenný pás vozidla prechádzal cez dozadu smerujúci otvor pre pás vozidla. **16** -2

Jazyček spony vozidla je správne spojený so sponou, ako je to na obrázku **16** -3

Zaistenie dieťaťa v detskej autosedačke pomocou telovej podložky a podušky opierky hlavy



Odporúčame používať podušku opierky hlavy a telovú podložku, kým bude mať dieťa menej ako 60 cm a môže sa používať, kým z telovej podložky nevyrastie. Poduška opierky hlavy a telová podložka zvyšujú ochranu pri bočnom náraze.

17 Stlačte a podržte tlačidlo na nastavenie popruhov, zároveň úplne vyťahnite dva ramenné popruhy zosilnenej detskej autosedačky.

18 Stlačením tlačidla rozopnite sponu.

19 Zaistite spony na oboch stranách sedačky, aby bolo umiestnenie dieťaťa pohodlnejšie.

Položte dieťa do zosilnenej detskej autosedačky a prevlečte mu obe ruky cez popruhy.

20 Zapnite sponu.

21 Potiahnite nastavovací popruh smerom k sebe, aby ste ho nastavili na správnu dĺžku, a uistite sa, že je vaše dieťa pohodlne zaistené.

Keď bude dieťa sedieť, znova skontrolujte, či sú ramenné popruhy v správnej výške.

Vždy majte dieťa upevnené v popruhoch a riadne ich dotiahnite, aby ste odstránili všetky uvoľnené časti.

Režim smerovania tvárou dopredu (Výška dieťaťa 100 až 145 cm)

Pozrite si obrázky **22** - **25**

Inštalácia pre režim smerovania tvárou dopredu

Pri používaní v režime tvárou dopredu vyberte telovú podložku a vložte ramenné popruhy, spony a jazyčky späť do úložných priestorov na skrytie popruhov.

Podušku opierky hlavy možno použiť podľa toho, či je hlavička dieťaťa uložená pohodlne.

Pred uložením ramenných popruhov a spony do úložných priestorov nastavte ramenné popruhy na správnu dĺžku.

Nastavte zosilnenú detskú autosedačku do požadovanej polohy sklonu. (4 polohy pre režime smerovania tvárou dopredu.) Zarovnajajte horný indikátor sklonu s jedným z dolných bielych čísel.

Pri používaní a nastavovaní bezpečnostného pásu

vozidla skontrolujte, či nie je bezpečnostný pás vozidla skrútený, čo by mohlo spôsobiť nesprávne pripútanie dieťaťa.

Stlačením tlačidla rozopnite sponu, ako je na obrázku **18**

Vyberte rozkrokový popruh, ako je znázornené na obrázku **28**, a potom aj telovú podložku.

Pri inštalácii zosilnenej detskej autosedačky v režime tvárou dopredu nepoužívajte telovú podložku. Podušku opierky hlavy možno použiť podľa toho, či je hlavička dieťaťa uložená pohodlne.

Dobre si uschovajte kryt rozkrokového pásu, aby ste predišli jeho strate.

22 Odopnite cvočky. **22** -1

Zdvihnite hornú chlopňu nahor a spodnú chlopňu potiahnite dopredu, potom ramenné popruhy uložte do ich úložných priestorov. **22** -2

Potiahnite sponu smerom k zadnej strane čalúnenia sedačky a potom uložte sponu a jazyčky spony do príslušných úložných priestorov **22** -3 & **22** -4

23 Znova pripnite cvočky, aby ste dali späť čalúnenie sedačky. Vrátenej vankúš sedačky je zobrazený ako **23**

Zaistenie dieťaťa v detskom zadržiavacom systéme

Keď je dieťa v zosilnenej detskej autosedačke, skontrolujte, či sú vodiace prvky ramenného pásu vozidla v správnej výške.

24 Prevlečte ramenný pás cez vodiaci prvok ramenného pásu a prevedte panvový pás cez otvory pre panvový pás vozidla. Zapnite sponu vozidla a potiahnite pás vozidla, aby ste sa uistili, že je zatahnutý. **24** **25**

Ramenný pás prechádzať cez vodiaci prvok ramenného pásu. **24** -1

Panvový pás musí prechádzať cez otvor pre panvový pás.

Zosilnená detská autosedačka sa nesmie používať, ak je spona bezpečnostného pásu vozidla (samičí koniec spony) príliš dlhá na pevné ukotvenie zosilnenej detskej autosedačky. **24** -2

NIKDY nepoužívajte na zaistenie dieťaťa 2-bodový pás vozidla (len panvový pás).

NEPOUŽÍVAJTE ramenný pás uvoľnený ani prevlečený popod rameno.

NEPOUŽÍVAJTE ramenný pás za chrbtom dieťaťa.

V prípade škrtienia NEDOVOLTE, aby sa dieťa v zosilnenej detskej autosedačke sklзло nadol.

Odpojenie mäkkých textílií

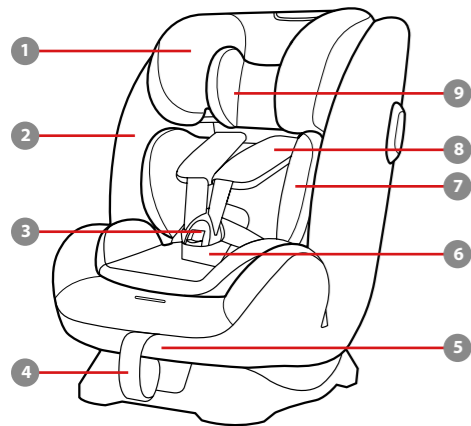
Pozrite si obrázky **26** - **34**

26 Stlačením červeného tlačidla rozopnite sponu.

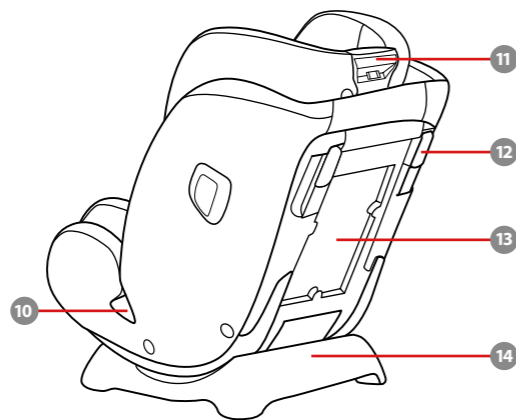
Na odpojenie mäkkých textílií postupujte podľa krokov **27** - **34**.

Ak budete chcieť pripojiť mäkké textílie späť, zopakujte vyššie uvedené kroky v opačnom poradí.

Popis dijelova



- 1 Oslonac za glavu
- 2 Sjedalica
- 3 Kopča
- 4 Traka podešivača remena
- 5 Ručka za podešavanje nagiba
- 6 Jastučić središnjeg pojasa
- 7 Potpora za tijelo
- 8 Jastučići traka za pričvršćivanje djetetovih ramena
- 9 Jastuk naslona za glavu
- 10 Prorezi za provlačenje sigurnosnog pojasa za kukove putnika u vozilu



- 10 Prorezi za provlačenje sigurnosnog pojasa za kukove putnika u vozilu
- 11 Ručica za podešavanje oslonca za glavu
- 12 Sigurnosni držači sigurnosnog pojasa vozila
- 13 Odjeljak za pohranu priručnika s uputama
- 14 Baza
- 15 Podložak za zaštitu od bočnog udarca (*mora se koristiti samo na strani bočnih vrata)



VAŽNO

PRIJE UPORABE PAŽLJIVO PROČITAJTE OVE UPUTE I ZADRŽITE IH ZA BUDUĆU UPORABU. SIGURNOST VAŠEG DJETETA MOŽE BITI UGROŽENA AKO SE NE PRIDRŽAVATE OVIH UPUTA.

▲ UPOZORENJE: VAŽNO, SAČUVAJTE ZA BUDUĆU UPORABU: PAŽLJIVO PROČITAJTE.

PAZITE kako ne biste postavili ili ugradili čvrste i plastične dijelove napredne dječje autosjedačice tako da se mogu zaglaviti zbog pomicanja sjedala u vozilu ili vrata vozila.

NE KORISTITE naprednu dječju autosjedačicu okrenutu obrnuto od smjera vožnje ako je aktiviran prednji zračni jastuk.

Za korištenje ove napredne dječje autosjedačice u skladu s Uredbom UN-a br. 129 dijete mora imati sljedeće mjere.

U smjeru suprotnom od smjera vožnje: Visina djeteta 40 cm - 105 cm / maks. 22kg

U smjeru vožnje: Visina djeteta 100 cm - 145 cm / 15kg - 36 kg

VAŽNO - NE KORISTITE KAO BOOSTER

AUTOSJEDALICU DOK DIJETE NIJE VIŠE OD 100 CM (Pogledajte upute).

Naprednu dječju autosjedačicu možda neće biti moguće postaviti u sva odobrena vozila.

Svi pojasevi i trake koje naprednu dječju autosjedačicu pričvršćuju za vozilo moraju biti čvrsto zategnuti, a trake za pričvršćivanje djeteta prilagođene da pristaju djetetovom tijelu i ni u kom slučaju ne smiju biti savijene.

Nakon postavljanja djeteta u ovu naprednu dječju autosjedačicu potrebno je pravilno pričvrstiti sigurnosne pojaseve. Provjerite je li pojas preko krila nisko postavljen kako bi zdjelica djeteta bila sigurno i dobro pričvršćena u slučaju sudara.

Naprednu dječju autosjedačicu treba promijeniti ako je bila izložena snažnim udarcima tijekom automobilske nesreće. Automobilska nesreća može prouzročiti oštećenja koja nisu uočljiva.

Imajte na umu opasnosti koje će nastati zbog preinaka ili dodataka na proizvodu bez odobrenja odgovarajućeg tijela te zbog nepridržavanja strogih uputa za ugradnju koje je naveo proizvođač

napredne dječje autosjedačice.

Naprednu dječju autosjedačicu držite izvan utjecaja izravnog sunčevog svjetla jer može biti prevruća za osjetljivu dječju kožu. Uvijek dodirnite naprednu dječju autosjedačicu prije no što u nju stavite dijete.

NIKAD NE ostavljajte dijete bez nadzora u ovoj naprednoj dječjoj auto-sjedačici.

Sva prtljaga ili drugi predmeti koji bi mogli prouzročiti ozljede u slučaju sudara moraju biti pravilno pričvršćeni.

Napredna dječja autosjedačica NE SMUJE SE KORISTITI bez obloga i mekih dijelova.

Obloge i meki dijelovi napredne dječje autosjedačice smiju se zamijeniti isključivo onima koje preporučuje proizvođač jer su i ti dijelovi bitni za učinkovitost i radna svojstva sigurnosnog sustava za dijete.

Prije kupovine provjerite može li se ova napredna dječja autosjedačica pravilno ugraditi u vaše vozilo.

NITI najnaprednija dječja autosjedačica ne može jamčiti potpunu zaštitu od ozljeda u automobilskoj nesreći. No, pravilna uporaba ove napredne dječje autosjedačice smanjit će rizik od

ozbiljnih ozljeda ili smrti djeteta.

NE POSTAVLJAJTE ovu naprednu dječju autosjedačicu ako se nećete strogo pridržavati uputa u ovom priručniku jer time svoje dijete možete dovesti u ozbiljnu opasnost od ozljeda i smrti.

NE KORISTITE ovu naprednu dječju auto-sjedačicu ako je oštećena ili joj nedostaju dijelovi.

NE ODJEUVAJTE djetetu odjeću koja je za njega prevelika jer to može onemogućiti pravilno pritezanje traka za pričvršćivanje djetetovih ramena i pričvršnog remena između nogu.

Briga i održavanje

Nakon uklanjanja pričvršnih krilca s umetka pohranite ih izvan dohvata djeteta.

Oblogu sjedala i unutarnje umetke perite hladnom vodom temperature niža od 30 °C.

Ne glačajte obloge i meke dijelove.

Ne izbjeljajte niti nemojte kemijski čistiti obloge.

Ne koristite nerazrijeđene deterdžente, benzin ili druga organska otapala za pranje dječje autosjedačice. To može

oštetiti dječju autosjedalicu.

Ne uvijajte oblogu sjedala i unutarnje umetke radi cijedenja i sušenja. To može ostaviti nabore na oblozi sjedala i unutarnjem umetku.

Oblogu sjedala i unutarnje umetke objesite i sušite na sjenovitom mjestu.

Uklonite dječju autosjedalicu i bazu sa sjedala u vozilu ako se neće dulje vrijeme koristiti. Stavite dječju autosjedalicu na hladno i suho mjesto izvan dohvata djece.

Tijekom čišćenja ne dirajte niti ne mijenjajte priključke traka za pričvršćivanje djeteta.

gracobaby.eu
www.gracobaby.pl

Podaci o proizvodu

Smještaj u smjeru suprotnom od vožnje

- Ovo je univerzalna, sigurnosnim pojasevima pričvršćena napredna dječja autosjedalica. Odobrena je prema UN propisu br. 129 za uporabu prvenstveno u „univerzalnim sjedećim položajima“ kako su naveli proizvođači vozila u odgovarajućem korisničkom priručniku vozila.
- U slučaju nedoumice provjerite kod proizvođača naprednog sustava pričvršćivanja djeteta ili prodavača.

Smještaj u smjeru vožnje

- Ovo je i-Size booster sjedalo napredne dječje autosjedalice. Odobrena je prema Uredbi UN-a br. 129 za uporabu prvenstveno u „i-Size sjedećim položajima“ kako su naveli proizvođači vozila u odgovarajućem korisničkom priručniku vozila.
- U slučaju nedoumice provjerite kod proizvođača naprednog sustava pričvršćivanja djeteta ili

prodavača.

Materijali Plastika, metal, tkanine

Patent br. Patenti prijavljeni i čekaju registraciju

Pripazite prilikom postavljanja

Pogledajte slike 1 - 3

- NE POSTAVLJAJTE ovu dječju autosjedalicu na sjedala u vozilu koja su okrenuta bočno ili prema stražnjem dijelu suprotno od smjera kretanja vozila.

Preporučuje se postaviti ovu dječju autosjedalicu na stražnje sjedalo u vozilu.

NE POSTAVLJAJTE ovu dječju autosjedalicu na vozila koja se prilikom postavljanja pomiču.

- NE POSTAVLJAJTE dječju autosjedalicu okrenutu suprotno od smjera vožnje na prednje sjedalo koje ima zračni jastuk jer to može prouzročiti ozbiljne ozljede ili smrt. Za više informacija pogledajte korisnički priručnik vozila.

- Ova dječja autosjedalica prikladna je samo za sjedala sa sigurnosnim pojansom na uvlačenje u 3 točke.

NE POSTAVLJAJTE ovu dječju autosjedalicu na sjedalo u vozilu samo sa sigurnosnim pojansom preko kukova.

Upotreba zaštite od bočnog udarca

Pogledajte slike 4 - 5

- Napredna dječja autosjedalica isporučuje se sa zaštitom od bočnog udarca koja se može ukloniti. Zaštita od bočnog udarca mora se obvezno koristiti tijekom vožnje na strani prema vratima vozila radi najbolje zaštite.

- Pritisnite gumb za oslobađanje radi uklanjanja zaštite od bočnog udarca.

Podešavanje nagiba

Pogledajte slike 6 - 7

- Pritisnite ručku za podešavanje nagiba i namjestite naprednu dječju autosjedalicu u

odgovarajući položaj.

- Kutovi nagiba prikazani su na slici 7

Dva kuta nagiba za smještaj u smjeru suprotnom od vožnje označena su s 5-6.

Četiri kuta nagiba za smještaj u smjeru vožnje označena su s 1-4.

Poravnajte gornji indikator nagiba s donjim brojevima radi postizanja željenog nagiba autosjedalice.

Podešavanje visine naslona za glavu i trake za pričvršćivanje djetetovih ramena

Pogledajte slike 8 - 10

- Kada se dječja autosjedalica koristi okrenuta obrnuto od smjera vožnje, trake za pričvršćivanje djetetovih ramena moraju biti u ravnini ili malo ispod djetetovih ramena.

Ako trake za pričvršćivanje djetetovih ramena nisu na pravilnoj visini, u slučaju nesreće dijete može biti izbačeno iz napredne dječje autosjedalice.

- Kada se dječja autosjedalica koristi okrenuta u smjeru vožnje vodilice sigurnosnih pojasa za ramena moraju biti u ravnini ili malo iznad djetetovih ramena.

Namjestite oslonac za glavu i trake za pričvršćivanje djetetovih ramena na pravilnu visinu prema djetetovoj veličini.

- Stisnite ručicu za podešavanje naslona za glavu 10-1 dok istodobno povlačite prema gore ili gurate prema dolje naslon za glavu dok ne klikne i smjesti se u svoj položaj. Položaji oslonca za glavu prikazani su na slici 10-2
- Kako namještate naslon za glavu prema gore (od 6. - 9. položaja), bočne strane dječje autosjedalice automatski se pomiču prema vani kako bi osigurale više prostora za ramena.

Smještaj u smjeru suprotnom od vožnje

(Visina djeteta 40 cm – 105 cm / maks. 22 kg)

Pogledajte slike 11 - 21

Dječju autosjedalicu postavite na stražnje putničko sjedalo u vozilu, a zatim stavite dijete u autosjedalicu.

Postavljanje dječje autosjedalice okrenute u smjeru obrnutom od vožnje

Namjestite naprednu dječju autosjedalicu u željeni nagnuti položaj (2 položaja za smještaj u smjeru obrnutom od vožnje). Poravnajte gornji indikator nagiba s jednim od brojeva bijele boje na dnu.

Prije postavljanja napredne dječje autosjedalice provjerite jesu li trake za pričvršćivanje djetetovih ramena namještene na pravilnu visinu.

Prilikom postavljanja i prilagođavanja sigurnosnih pojasa provjerite kako niti jedan pojas,

onaj za ramena kao niti onaj za kukova nisu uvijeni što bi moglo spriječiti pravilan rad sigurnosnih pojasa.

- Uvjerite se kako sigurnosni pojas za kukove putnika u vozilu prolazi kroz odgovarajuće proreze namijenjene za taj pojas.

- Zatim zakopčajte kopču sigurnosnog pojasa u vozilu.

Sigurnosni pojas za kukove putnika u vozilu mora prolaziti ispod potpore za tijelo.

- Provucite sigurnosni pojas za ramena putnika u vozilu kroz dva proreza za taj pojas na stražnjoj strani napredne dječje autosjedalice.

- Otvorite sigurnosni držač pojasa i stavite u nj sigurnosni pojas za ramena.

Provjerite kako je sigurnosni držač pojasa potpuno zatvoren dok se ne koristi kako biste spriječili ozljede ili oštećenja presvlaka u vozilu.

- Pritisnite naprednu dječju autosjedalicu i povucite sigurnosni pojas za ramena putnika u vozilu kako biste sigurno pričvrstili

naprednu dječju autosjedralicu.

15 -1 i **15** -2

Svakako blokirajte sigurnosni držač pojasa nakon što ste provjerili je li napredna dječja autosjedralica sigurno pričvršćena. **15** -3 i **15** -4

Pazite na prste tijekom zatvaranja stezaljki sigurnosnog držača pojasa kako biste izbjegli ozljede.

Napredna dječja autosjedralica ne smije se koristiti ako je kopčica sigurnosnog pojasa u vozilu (ženski kraj kopčice) preduga za sigurno učvršćivanje dječje naprednoj autosjedralice.

Dva puta provjerite je li napredna dječja autosjedralica sigurno pričvršćena i da se ne pomiče po sjedalu vozila.

16 Pravilno postavljen i učvršćen sigurnosni pojas vozila prikazan je na slici **16**

Uvjerite se da sigurnosni pojas za kukove putnika u vozilu prolazi kroz proreze za taj pojas na dječjoj autosjedralici. **16** -1

Uvjerite se kako sigurnosni pojas za ramena putnika u vozilu prolazi kroz prorez za taj pojas na stražnjoj strani dječje autosjedralice. **16** -2

Jezičac kopče sigurnosnog pojasa u vozilu pravilno je zakopčan kao što je prikazano na slici **16** -3

Učvršćivanje djeteta u dječjoj autosjedralici uporabom potpore djeteta i jastuka naslona za glavu



17 Dok pritišćete gumb za podešavanje opreme za učvršćivanje sasvim izvucite oba dijela za učvršćivanje ramena napredne dječje auto-sjedralice.

18 Pritisnite gumb za otvaranje kopče.

19 Učvrstite kopče na obje strane dječje autosjedralice kako biste stavljanje djeteta u nju učinili lakšim i praktičnijim.

Stavite dijete u naprednu dječju autosjedralicu i provucite mu ruke ispod traka za pričvršćivanje djeteta.

20 Zakopčajte kopču.

21 Povucite trake za namještanje prema sebi kako biste ih namjestili na pravilnu duljinu i provjerite je li dijete dobro i sigurno pričvršćeno.

Nakon što smjestite dijete provjerite jesu li trake za pričvršćivanje djetetovih ramena na pravilnoj visini.

Dijete uvijek treba biti pričvršćeno u dječjoj sjedalici s pravilno pritegnutim trakama koje ni na kojem dijelu nisu labave.

Smještaj u smjeru vožnje

(Visina djeteta 100 cm – 145 cm)

Pogledajte slike **22** - **25**

Postavljanje dječje autosjedralice okrenute u smjeru vožnje

Kad se dječja autosjedralica koristi okrenuta u smjeru vožnje skinite potporu za tijelo i stavite trake za pričvršćivanje ramena, kopču i jezičce kopči u odjeljak za pohranu tih dijelova.

Jastuk naslona za glavu koristite tako da se djetetova glava udobno smjesti.

Namjestite trake za pričvršćivanje djetetovih ramena na odgovarajuću duljinu prije njihove pohrane zajedno s kopčom u njihove odjeljke za pohranu.

Namjestite željeni nagib napredne dječje autosjedralice. (4 položaja za korištenje u smjeru vožnje). Poravnajte gornji indikator nagiba s jednim od brojeva bijele boje na dnu.

Dok koristite i namještate sigurnosni pojas vozila provjerite kako nije uvijen što bi moglo prouzročiti nepravilno pričvršćivanje djeteta.

Pritisnite gumb za otvaranje kopče kao na **18**

Uklonite pričvrtni remen između nogu kako je prikazano na slici **28**, a zatim potporu za tijelo.

Prilikom postavljanja napredne dječje autosjedralice u položaj u smjeru vožnje ne koristite potporu za tijelo. Jastuk naslona za glavu koristite tako da se djetetova glava udobno smjesti.

Pažljivo pohranite središnji sigurnosni pojas između nogu kako ga ne biste izgubili.

22 Odvojite kopčice. **22** -1

Podignite gornji preklop prema gore i povucite donji prema naprijed, a zatim pohranite trake za pričvršćivanje djetetovih ramena u njihove odjeljke za pohranu. **22** -2

Povucite kopču na stražnji dio podloge sjedala i pohranite kopču i jezičce kopče u odgovarajuće odjeljke za pohranu. **22** -3 i **22** -4

23 Ponovno pričvrstite kopčice za

postavljanje podloge sjedala. Ponovno stavljena podloga sjedala sada izgleda kako je prikazano na slici **23**

Učvršćivanje djeteta u dječjoj autosjedralici

Provjerite jesu li vodilice sigurnosnog pojasa za ramena putnika u vozilu na pravilnoj visini dok je dijete u naprednoj dječjoj autosjedralici.

24 Sigurnosni pojas za ramena putnika u vozilu provucite kroz vodilicu za taj pojas i provucite sigurnosni pojas za kukove putnika u vozilu kroz proreze za pojas. Zakopčajte kopču sigurnosnog pojasa u vozilu i povucite je kako biste bili sigurni da je učvršćena. **24** **25**

Sigurnosni pojas za ramena putnika u vozilu mora prolaziti kroz vodilicu za taj pojas na naprednoj dječjoj autosjedralici. **24** -1

Sigurnosni pojas za kukove u vozilu mora prolaziti kroz utor za sigurnosni pojas za kukove.

Napredna dječja autosjedralica ne smije se koristiti ako je kopča

sigurnosnog pojasa u vozilu (ženski kraj kopče) preduga za sigurno učvršćivanje dječje naprednoj autosjedralice. **24** -2

Za pričvršćivanje djeteta NIKAD ne koristite sigurnosni pojas vozila u 2 točke (sigurnosni pojas koji ide samo preko kukova).

NE KORISTITE sigurnosni pojas za ramena putnika u vozilu koji je opušten ili smješten ispod ruke.

NE KORISTITE sigurnosni pojas za ramena putnika u vozilu iza djetetovih leđa.

NE DOPUSTITE djetetu da sklizne dolje u naprednoj dječjoj autosjedralici zbog opasnosti od gušenja.

Skidanje obloga

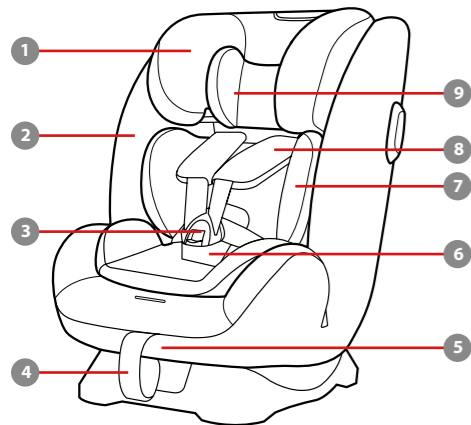
Pogledajte slike **26** - **34**

26 Pritisnite crveni gumb za otvaranje kopče.

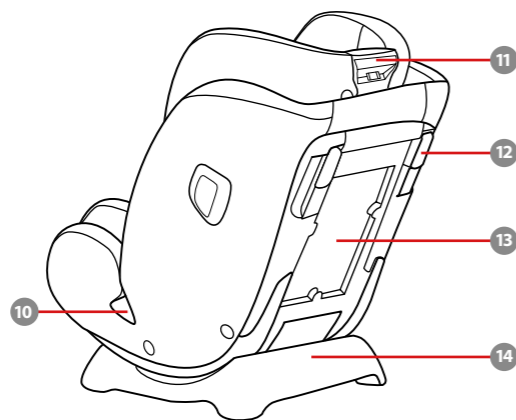
Slijedite korake **27** - **34** za skidanje obloga i mekih dijelova.

Za ponovno postavljanje obloga i mekih dijelova ponovite gore navedene korake suprotnim redoslijedom.

Lista delova



- 1 Potpora za glavu
- 2 Sedište
- 3 Kopča
- 4 Traka za podešavanje pojaseva
- 5 Ručica za podešavanje nagiba
- 6 Pokrivač pojaseva preko prepona
- 7 Potpora za telo
- 8 Pokrivač pojaseva preko ramena
- 9 Jastučice naslona za glavu
- 10 Otvori za pojas vozila preko struka
- 11 Ručica za podešavanje potpore za glavu



- 10 Otvori za pojas vozila preko struka
- 11 Ručica za podešavanje potpore za glavu
- 12 Zaključavanje pojasa vozila
- 13 Odeljak za skladištenje uputstva za upotrebu
- 14 Baza
- 15 Zaštita od bočnog udara (*mora se koristiti samo na strani vrata)



VAŽNO

PAŽLJIVO PROČITAJTE OVA UPUTSTVA PRE UPOTREBE I SAČUVAJTE IH ZA BUDUĆU UPOTREBU. BEZBEDNOST VAŠEG DETETA MOŽE BITI UGROŽENA AKO NE PRATITE OVA UPUTSTVA.

▲ UPOZORENJE:
VAŽNO, ZADRŽITE ZA BUDUĆU UPOTREBU: PAŽLJIVO PROČITAJTE.

OBRATITE pažnju na to da čvrsti i plastični delovi sistema unapređenog sedišta za dete moraju biti postavljeni i montirani tako da se ne zaglave sa sedištem koje se pomera niti da se zaglave u vratima vozila.

NE koristite sisteme unapređenog sedišta za dete u položaju okrenutom unazad na mestima za sedenje gde je instaliran aktivni prednji vazdušni jastuk.

Da biste koristili ovo unapređeno sedište za dete u skladu sa Uredbom UN br. 129, vaše dete mora da ispunjava sledeće uslove.

Okrenuto unazad: Visina deteta 40 cm – 105 cm / maks. 22 kg

Okrenuto unapred: Visina deteta 100 cm – 145 cm / 15 kg – 36 kg

VAŽNO – NEMOJTE KORISTITI KAO REŽIM BUSTERA PRE NEGO ŠTO VISINA DETATA BUDE VIŠE OD 100 CM (pogledajte uputstva).

Unapređeno sedište za dete možda neće odgovarati svim odobrenim vozilima.

Svi pojasevi koji pričvršćuju unapređeno sedište za dete za vozilo treba da budu zategnuti, sve trake koje vezuju dete treba da budu podešene prema telu deteta i trake ne smeju da se uvrću.

Nakon što se vaše dete postavi u ovo unapređeno sedište za dete, mora se pravilno koristiti sigurnosni pojas. Uverite se da se bilo koji pojas preko krila postavi nisko, tako da je karlični deo čvrsto vezan.

Unapređeno sedište za dete je potrebno zameniti posle izlaganja snažnim potresima tokom nezgode. Nezgoda može da prouzrokuje oštećenje sedišta koje nije vidljivo.

Uzmite u obzir opasnost od bilo kakvih izmena ili dodataka na proizvodu bez odobrenja odgovarajućeg organa, kao i opasnost od nepoštovanja uputstava za montažu koja je obezbedio proizvođač unapređenog sedišta za

dete.

Držite ovo unapređeno sedište za dete dalje od sunčeve svetlosti jer može postati prevruće za dečiju kožu. Uvek prvo dodirnite unapređeno sedište za dete pre nego što u njega stavite dete.

NIKADA ne ostavljajte dete bez nadzora u ovom unapređenom sedištu za dete.

Bilo koji prtljag ili drugi predmeti koji mogu da prouzrokuju povrede u slučaju nezgode treba da budu pravilno obezbeđeni.

NE KORISTITE ovo unapređeno sedište za dete bez mekih dodataka.

Meke dodatke treba zameniti samo onima koje je preporučio proizvođač, zato što meki dodaci čine integralni deo performansi sedišta za dete.

Proverite da li se ovo unapređeno sedište za dete može pravilno montirati u vaše vozilo pre nego što ga kupite.

NIJEDNO unapređeno sedište za dete ne garantuje potpunu zaštitu od povrede u slučaju nezgode. Međutim, pravilna upotreba ovog unapređenog sedišta za dete smanjuje rizik od ozbiljne povrede ili smrti za vaše dete.

NE montirajte ovo unapređeno sedište

za dete ako niste pratili uputstva u ovom priručniku, u suprotnom postoji rizik od ozbiljne povrede ili smrti vašeg deteta.

NE koristite ovo unapređeno sedište za dete ako ima oštećene delove ili ako neki delovi nedostaju.

NE oblačite svoje dete u (pre)veliku odeću, zato što to može dovesti do toga da dete ne bude pravilno i bezbedno vezano pomoću traka pojasa preko ramena i traka za prepone između nogu.

Briga i održavanje

Posle uklanjanja umetak s potpore, ostavite ga na mesto gde dete nema pristup.

Pokrivač sedišta i unutrašnju postavu perite u hladnoj vodi na temperaturi manjoj od 30 °C.

Ne peglajte meke dodatke.

Ne koristite izbeljivač i nemojte hemijski čistiti meke dodatke.

Ne koristite nerazređene deterdžente, benzin ili drugi organski rastvarač za pranje sedišta za dete. To može dovesti do oštećenja sedišta za dete.

Ne uvrćite pokrivač sedišta i unutrašnju postavu da biste ih osušili. To može dovesti do nabora na pokrivaču sedišta i unutrašnjoj postavi.

Pokrivač sedišta i unutrašnju postavu okačite da se suše u senci.

Uklonite sedišta za dete i bazu sa sedišta u vozilu ako se duže vreme neće koristiti. Držite sedišta za dete na hladnom i suvom mestu i dalje od dece.

Pazite da oštetite konektore pojaseva tokom čišćenja.

gracobaby.eu
www.gracobaby.pl

Informacije o proizvodu

Sedište okrenuto unazad

- Ovo je „Universal Belted“ unapređeni sistem sedišta za dete. Odobren je u skladu s Uredbom UN br.129, za upotrebu pre svega na „Univerzalnim mestima za sedenje“, kao što je to označeno u uputstvu za upotrebu vozila od strane proizvođača vozila.
- U slučaju sumnji, posavetujte se s proizvođačem ili prodavcem unapređenog sistema sedišta za dete.

Sedište okrenuto unapred

- Ovo je „i-Size“ unapređeni sistem buster sedišta za dete. Odobren je u skladu s Uredbom UN br.129, za upotrebu pre svega na „i-Size mestima za sedenje u vozilu“, kao što je to označeno u uputstvu za upotrebu vozila od strane proizvođača vozila.
- U slučaju sumnji, posavetujte se s proizvođačem ili prodavcem unapređenog sistema sedišta za dete.

Materijali plastika, metal, tkanina

Br. patenta Patenti na čekanju

Napomene u vezi montiranja

Pogledajte slike 1 - 3

- NE montirajte ovo sedišta za dete na sedišta u vozilu koja su okrenuta na jednu stranu ili unazad u odnosu na smer kretanja vozila.
Preporučuje se da ovo sedišta za dete montirate na zadnje sedišta u vozilu.
NE montirajte ovo sedišta za dete na sedišta u vozilu koja se mogu pomerati tokom montaže.
- NE stavljajte sedišta za dete koje se montira okrenuto unazad na prednje sedišta s vazдушnim jastukom, zato što može doći do ozbiljne povrede ili smrti. Za detaljnije informacije pogledajte uputstvo za upotrebu vozila.
- Ovo sedišta za dete je predviđeno samo za sedišta u vozila sa sigurnosnim pojasevima sa uvlačenjem koji se vezuju u tri

tačke.

NE montirajte ovo sedišta za dete na sedišta u vozilu koristeći pojaseve koji se vezuju u dve tačke.

Upotreba zaštite od bočnog udara

Pogledajte slike 4 - 5

- Unapređeno sedišta za dete se isporučuje sa zaštitom od bočnog udara koja se može ukloniti. Ova zaštita od bočnog udara se mora koristiti na strani vrata vozila za najbolju zaštitu.
- Pritisnite dugme za otpuštanje da biste uklonili zaštitu od bočnog udara.

Podešavanje nagiba

Pogledajte slike 6 - 7

- Pritisnite ručicu za podešavanje nagiba da biste podesili unapređeno sedišta za dete u pravilan položaj.

- Uglovi nagiba su prikazani kao

7

Postoje dva ugla nagiba 5-6 kada je sedišta okrenuto unazad.

Postoje četiri ugla nagiba 1-4 kada je sedišta okrenuto unapred.

Poravnajte gornji indikator nagiba s donjim brojevima za željeni položaj naslona.

Podešavanje visine za potporu za glavu i pojaseve preko ramena

Pogledajte slike 8 - 10

- Kada se sedišta koristi okrenuto unazad, vođice za pojas preko ramena moraju biti jednake s vrhom ramena deteta ili tik ispod njih.
Ako pojasevi preko ramena nisu na odgovarajućoj visini, dete može biti izbačeno iz unapređenog sedišta za dete u slučaju nezgode.
- Kada se koristi okrenuto unapred, vođice za pojas preko ramena moraju biti jednake s ramenima deteta ili tik iznad njih.
Podesite potporu za glavu i

pojaseve preko ramena na odgovarajuću visinu prema visini deteta.

- Stisnite ručicu za podešavanje potpore za glavu 10 -1 i povucite nagore ili gurnite nadole potporu za glavu sve dok se ne fiksira u jednom od položaja. Pozicije potpore za glavu su prikazane kao 10 -2

Kako se naslon za glavu podešava nagore (od 6. do 9. pozicije), strane sedišta za dete se automatski pomeraju ka spolja da bi se obezbedilo više prostora za ramena.

Sedište okrenuto unazad (Visina deteta 40 cm – 105 cm / maks. 22 kg)

Pogledajte slike 11 - 21

Montirajte sedišta za dete na zadnje sedišta u vozilu, a zatim stavite dete u sedišta za dete.

Montiranje kada je sedišta okrenuto unazad

Podesite unapređeno sedišta za

dete u željeni položaj naslona (2 položaja kada je sedišta okrenuto unazad). Poravnajte gornji indikator nagiba s jednim od donjih belih brojeva.

Uverite se da je pojas preko ramena podešen na odgovarajuću visinu pre montaže ovog unapređenog sedišta za dete.

Prilikom montiranja i podešavanja sigurnosnih pojaseva, uverite se da pojasevi preko ramena i preko struka nisu uvrnuti i da neće sprečiti ispravno funkcionisanje sigurnosnih pojaseva.

- Provucite pojas vozila preko struka kroz otvore za pojas vozila preko struka.
- Zatim stavite jezičak kopče vozila u kopču.
Pojas vozila preko struka mora prolaziti ispod potpore za telo.
- Provucite pojas vozila preko ramena kroz dva otvora za pojas vozila okrenuta unazad na zadnjem delu sedišta za dete.
- Otvorite bravu pojasa i ubacite kroz nju pojas preko ramena.
Uverite se da je brava za pojas potpuno zatvorena kada se ne

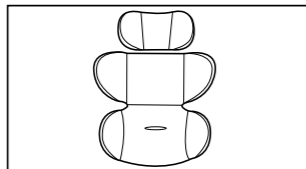
koristi da biste sprečili povrede ili oštećenje presvlake vozila.

- Čvrsto pritisnite unapređeno sedišta za dete nadole i povucite pojas vozila preko ramena da biste bezbedno pričvrstili unapređeno sedišta za dete. 15 -1 i 15 -2
Uverite se da ste zatvorili bravu nakon što proverite da li je unapređeno sedišta za dete dobro pričvršćeno. 15 -3 i 15 -4
Pazite na prste kada zatvarate kopče brave da biste izbegli povrede.
Unapređeno sedišta za dete nije moguće koristiti ako je kopča za sigurnosni pojas vozila (ženski kraj kopče) preduga da bi se unapređeno sedišta za dete čvrsto vezalo.
Još jednom proverite da li je unapređeno sedišta za dete bezbedno montirano i da se ne pomera na sedištu vozila.
Pravilno montiran pojas vozila je prikazan kao 16
Uverite se da pojas vozila preko struka prolazi kroz otvore za pojas vozila preko struka. 16 -1
Uverite se da pojas vozila preko

ramena prolazi kroz otvore za pojas vozila okrenute unazad. **16** -2

Jezičak kopče vozila je pravilno povezan s kopčom kao **16** -3

Veživanje deteta u sedištu za dete Koristite potporu za telo i jastuče naslona za glavu



Preporučujemo korišćenje jastuče naslona za glavu i potporu za telo kada je beba manja od 60 cm, a mogu se koristiti sve dok ih beba ne preraste. Jastuče naslona za glavu i potpora za telo povećavaju zaštitu od bočnog udara.

17 Dok pritiskate dugme za podešavanje pojaseva, potpuno izvucite dva pojasa preko ramena unapređenog sedišta za dete.

18 Pritisnite dugme da biste deaktivirali kopču.

19 Ispravite kopče sa obe strane sedišta da biste olakšali stavljanje bebe u sedišta.

Stavite dete u unapređeno sedišta za dete i provucite obe ruke kroz pojaseve.

20 Aktivirajte kopču.

21 Povucite podesivu traku prema sebi i podesite je na pravilnu dužinu tako da je vaše dete čvrsto vezano.

Nakon što je dete u sedištu, ponovo proverite da li su pojasevi preko ramena na pravilnoj visini.

Uvek vežite dete pojasevima i pravilno ih pritegnite tako da ne budu olabavljeni.

Sedište okrenuto unapred

(Visina deteta 100 cm – 145 cm)

Pogledajte slike **22** - **25**

Montiranje kada je sedišta okrenuto unapred

Kada koristite sedišta okrenuto unapred, uklonite potporu za telo i postavite traku pojasa preko ramena, kopču i jezičke kopče u pregrade za odlaganje pojaseva.

Jastuče naslona za glavu se može koristiti u zavisnosti od toga da li je glava deteta udobno smeštena.

Podesite pojaseve preko ramena na odgovarajuću dužinu pre nego što odložite trake pojasa preko ramena i kopču u njihove pregrade za odlaganje.

Podesite unapređeno sedišta za dete u željeni položaj nagiba. (4 pozicije kada je sedišta okrenuto unapred). Poravnajte gornji indikator nagiba s jednim od donjih belih brojeva.

Dok koristite i podešavate sigurnosni pojas vozila, uverite se

da pojas vozila nije uvrnut, što bi moglo da dovede do nepravilnog veživanja vašeg deteta.

Pritisnite dugme da biste deaktivirali kopču kao **18**

Uklonite traku za prepone kao što je prikazano u **28**, a zatim potporu za telo.

Kada se unapređeno sedišta za dete montira u režimu okrenutom unapred, ne koristite potporu za telo. Jastuče naslona za glavu se može koristiti u zavisnosti od toga da li je glava deteta udobno smeštena.

Sačuvajte pokriivač trake za prepone da se ne bi izgubio.

22 Otključajte kopče. **22** -1

Podignite gornje krilce nagore i povucite donje krilce unapred, a zatim odložite traku preko ramena u njihove pregrade za odlaganje. **22** -2

Povucite kopču ka zadnjem delu jastučeta sedišta i zatim odložite kopču i jezičke u njihove pregrade za odlaganje. **22** -3 i **22** -4

23 Ponovo pričvrstite kopče da biste vratili jastučeta sedišta. Vraćeno jastučeta sedišta je prikazano kao **23**

Veživanje deteta u sedištu za dete

Proverite da li su vođice pojasa vozila preko ramena na odgovarajućoj visini kada je dete u unapređenom sedištu za dete.

24 Postavite pojas preko ramena kroz vođicu pojasa preko ramena i provucite pojas preko struka kroz otvore za pojas vozila preko struka. Aktivirajte kopču vozila i povucite pojas vozila da biste bili sigurni da je zategnut. **24** **25**

Pojas preko ramena mora da prolazi kroz vođicu za pojas preko ramena. **24** -1

Pojas preko struka mora da prolazi kroz otvor za pojas preko struka.

Unapređeno sedišta za dete nije moguće koristiti ako je kopča za sigurnosni pojas vozila (ženski kraj kopče) preduga da bi se unapređeno sedišta za dete čvrsto vezalo. **24** -2

NIKADA ne koristite pojas za vozilo u 2 tačke (samo pojas preko struka) da biste vezali svoje dete.

NE koristite pojas preko ramena koji je olabavljen ili se nalazi ispod ruke.

NE postavljajte pojas preko ramena iza leđa deteta.

NE dozvolite da dete isklizne iz sedišta u slučaju gušenja.

Uklanjanje mekih dodatka

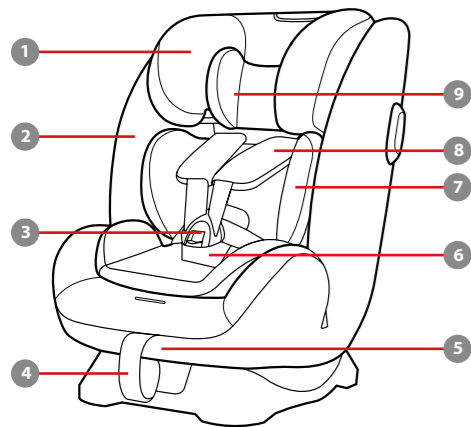
Pogledajte slike **26** - **34**

26 Pritisnite crveno dugme da biste deaktivirali kopču.

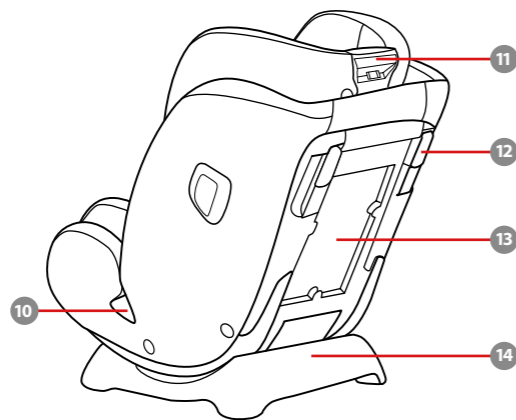
Pratite korake **27** - **34** da biste uklonili meke dodatke.

Da biste ponovo prikali meke dodatke, ponovite gornje korake u obrnutom redosledu.

Seznam delov



- 1 Opora za glavo
- 2 Sedež
- 3 Zaponka
- 4 Trak za prilagajanje pasu
- 5 Ročaj za nastavev nagiba
- 6 Prevlaka za mednožni pas
- 7 Podpora za telo
- 8 Prevleki za ramenska pasova
- 9 Blazina za naslon za glavo
- 10 Reži za medenični varnostni pas v vozilu
- 11 Ročica za nastavev opore za glavo



- 12 Zaklep za varnostni pas v vozilu
- 13 Predal za shranjevanje navodil za uporabo
- 14 Podnožje
- 15 Zaščita pred bočnimi udarci (*uporablja se le pri stranskih vratih)



POMEMBNO

PRED UPORABO SKRBNO PREBERITE NAVODILA IN JIH SHRANITE ZA POZNEJŠO UPORABO. Z NEUPOŠTEVANJEM TEH NAVODIL LAHKO OGROZITE VARNOST VAŠEGA OTROKA.

⚠ OPOZORILO: POMEMBNO, SHRANITE ZA KASNEJŠO UPORABO: NATANČNO PREBERITE!

BODITE previdni, da so togi elementi in plastični deli ojačanega sistema za zadrževanje otrok postavljeni in nameščeni tako, da ne obstaja možnost, da se ujamejo zaradi premičnega sedeža ali vrat avtomobila.

Vzvrtno obrnjenih ojačanih sistemov za zadrževanje otrok NE uporabljajte na sedežnih mestih, ki so opremljena z aktivno čelno zračno blazino.

Za uporabo tega ojačanega sistema za zadrževanje otrok skladno s predpisom ZN št. 129 mora otrok izpolnjevati naslednje zahteve.

Obrnjen v nasprotni smeri vožnje: višina otroka 40 cm–105 cm/ največ 22kg

Obrnjen naprej: Otrokova višina:

100 cm–145cm/15 kg–36 kg

Izboljšane zadrževalnega sistema za otroke v nekaterih položajih morda ne bo mogoče uporabiti v vseh odobrenih vozilih. Podrobnejše informacije poiščite v potrdilu o odobritvi.

Pasovi, s katerimi je ojačani sistem za zadrževanje pritrjen v vozilo, morajo biti napeti in pasovi, s katerimi je pripet otrok, morajo biti prilagojeni otrokovemu telesu, pasovi pa ne smejo biti zviti.

Ko otroka namestite in pripnete v sedež, poskrbite, da je varnostni pas pravilno nameščen. Prepričajte se, da so medenični pasovi nameščeni dovolj nizko, da je medenica pravilno podprta.

Ojačani sistem za zadrževanje otrok morate zamenjati, kadar je bil izpostavljen močnim obremenitvam ob nezgodi. Nesreča lahko povzroči poškodbe, ki jih ne vidite.

Spreminjanje naprave na kakršen koli način brez izrecnega dovoljenja strokovnjakov ali proizvajalca je strogo prepovedano. Prosimo, da natančno upoštevate proizvajalčeva navodila za namestitev.

Ojačanega sistema za zadrževanje otrok ne izpostavljajte sončni svetlobi,

ker se lahko preveč segreje in postane prevroč za otrokovo kožo. Vedno z roko preverite temperaturo ojačanega sistema za zadrževanje otrok, preden vanj namestite otroka.

Otroka NIKOLI ne pustite v ojačanem sistemu za zadrževanje otrok brez nadzora.

Prtljago ali druge predmete, ki bi v primeru trčenja lahko povzročili telesne poškodbe, morate ustrezno zavarovati.

Ojačanega sistema za zadrževanje otrok NE uporabljajte brez mehkih delov.

Uporabljajte samo mehke dele, ki jih je priporočil proizvajalec, saj so sestavni del zmogljivosti sistema za zadrževanje otrok.

Pred nakupom preverite, če je ta izboljšani sistem za zadrževanje otrok mogoče ustrezno namestiti v vozilo.

Ojačani sistem za zadrževanje otrok NE zagotavlja popolne zaščite pred poškodbami v primeru nezgode. Vendar se s pravilno uporabo ojačanega sistema za zadrževanje otrok zmanjša nevarnost hudih poškodb ali smrti otroka.

Ojačanega sistema za zadrževanje

otrok NE nameščajte brez upoštevanja teh navodil, sicer lahko resno ogrozite otrokovo varnost, kar lahko povzroči hude poškodbe ali smrt.

Ojačanega sistema za zadrževanje otrok NE uporabljajte, če kateri del manjka ali je poškodovan.

Otrok naj NE nosi (pre)velikih oblačil, sicer ga trakovi ramenskega varnostnega pasu in mednožni trak morda ne bodo pravilno in varno držali.

POMEMBNO - NE UPORABLJAJTE GA KOT NAČIN JAHAČA, DOKLER OTROK NI VELIK VEČ KOT 100 CM (glejte navodila).

Nega in vzdrževanje

Ko odstranite peno vložka za dojenčka, jo shranite na mesto, ki je otrokom nedostopno.

Mehke dele operite s hladno vodo do 30 °C.

Mehkih delov ne likajte.

Mehkih delov ne belite in jih ne čistite s kemičnim čiščenjem.

Za pranje sistema za zadrževanje otrok ne uporabljajte nerazredčenega nevtralnega detergenta, bencina ali drugega organskega topila. S

tem lahko poškodujete sistem za zadrževanje otrok.

Mehkih delov ne ožemajte z veliko silo, da bi jih posušili. V nasprotnem primeru lahko na mehkih delih ostanejo gube.

Mehke dele obesite v senco, da se posušijo.

Če ojačanega sistema za zadrževanje otrok in podnožja dlje časa ne nameravate uporabljati, ju s sedeža vozila. Ojačani sistem za zadrževanje otrok shranite v hladnem in suhem prostoru, kamor otrok nima dostopa.

Ne čistite priključkov varnostnega pasu.

gracobaby.eu
www.gracobaby.pl

Informacije o izdelku

Način usmerjenosti v nasprotni smeri vožnje

- To je univerzalen izboljšani sistem za zadrževanje otrok s pasom. Odobren je v skladu s predpisom ZN št. 129 za primarno uporabo na »univerzalnih sedežih«, kot to označijo proizvajalci vozila v uporabniškem priročniku vozila.
- Če ste v dvomih, se obrnite na proizvajalca ali prodajalca ojačanega sistema za zadrževanje otrok.

Način usmerjenosti naprej

- To je izboljšani sistem za zadrževanje otrok i-Size za jahače. Odobren je v skladu s predpisom ZN št. 129 za primarno uporabo na »sedežih i-Size«, kot to označijo proizvajalci vozila v uporabniškem priročniku vozila.
- Če ste v dvomih, se obrnite na proizvajalca ali prodajalca ojačanega sistema za zadrževanje otrok.

Material Plastika, kovina, tkanina
Št. patenta V postopku pridobitve patenta

Opozorila glede namestitve

Glejte slike 1 - 3

- Tega sistema za zadrževanje otrok NE nameščajte na sedeže vozila, ki so obrnjeni v stran ali nazaj glede na smer vožnje.
Sistem za zadrževanje otrok je priporočljivo namestiti na zadnji sedež vozila.
Tega sistema za zadrževanje otrok NE nameščajte na sedeže vozila, ki se med namestitvijo lahko premikajo.
- Nazaj obrnjenega sistema za zadrževanje otrok NE nameščajte na sprednji sedež, ki je opremljen z zračno blazino, ker so možne hude poškodbe ali smrt. Za več informacij glejte navodila za uporabo vozila.
- Sistem za zadrževanje otrok je primeren samo za namestitev

na avtomobilске sedeže s 3-točkovnim varnostnim pasom. Tega sistema za zadrževanje otrok NE namestite na sedeže vozil z medeničnim pasom.

Uporabljajte stransko zaščito pred udarci

Glejte slike 4 - 5

- Izboljšani sistem za zadrževanje otrok je dobavljen s snemljivo stransko zaščito pred udarci. Stransko zaščito pred udarci morate uporabljati na mestih ob vratih vozila za najboljšo zaščito.
- Pritisnite gumb za sprostitve, da odstranite zaščito pred bočnimi udarci.

Nastavitev naklona

Glejte slike 6 - 7

- Pritisnite ročaj za nastavitev nagiba in ojačan sistem za zadrževanja otroka nastavite v ustrezen položaj.

- Koti naklona so prikazani na sliki 7
7 Za način usmerjenosti v nasprotni smeri vožnje sta na voljo dva kota nagiba 5–6.
Za način usmerjenosti v naprej so na voljo štirje koti nagibov 1–4.
Za zeleni kot nagiba zgornji indikator nagiba poravnajte s spodnjimi številkami.

Nastavljanje višine opore za glavo in ramenskih varnostnih pasov

Glejte slike 8 - 10

- Kadar sistem uporabljate v načinu usmerjenosti v nasprotni smeri vožnje, mora biti ramenski pas poravnani ali tik pod vrhom otrokovih ramen.
Če ramenska pasova nista na ustrezni višini, lahko otroka v primeru nesreče izvrže iz ojačanega sistema za zadrževanje otrok.
- Kadar sistem uporabljate v načinu usmerjenosti naprej, morajo biti vodila za ramenski pas poravnana

ali tik nad otrokovimi rameni. Oporo za glavo in ramenske varnostne pasove nastavite na ustrezno višino glede na višino otroka.

- Stisnite ročico za nastavitev opore za glavo 10 -1 in medtem povlecite ali potisnite oporo za glavo, dokler se ne zaskoči v en položaj. Položaji opore za glavo so prikazani na sliki 10 -2
Ko je naslon za glavo nameščen višje (od 6. do 9. položaja), se stranska dela sistema za zadrževanje otrok samodejno premakneta navzven, da zagotovita več prostora za ramena.

Način usmerjenosti v nasprotni smeri vožnje

(Višina otroka 40–105 cm / teža otroka ≤ 22 kg)

Glejte slike 11 - 21

Sistem za zadrževanje otrok namestite na zadnji sedež vozila in nato namestite otroka v sistem.

Način usmerjenosti v nasprotni smeri vožnje

Ojačan sistema za zadrževanje nastavite v zeleni položaj nagiba (2 položaja za način usmerjenosti v nasprotni smeri vožnje). Zgornji indikator nagiba poravnajte z eno izmed spodnjih belih števil.

Pred namestitvijo tega ojačanega sistema za zadrževanje otrok zagotovite, da je ramenski pas nastavljen na ustrezno višino.

Pri nameščanju in nastavljanju varnostnih pasov zagotovite, da ramenski in medenični varnostni pas nista zvita in da varnostnim pasovom ne bosta preprečila pravilnega delovanja.

- Medenični pas vozila napeljite skozi reže za medenični pas vozila.
- Nato jeziček zaponke vpnite v zaponko.
Medenični varnostni pas vozila mora potekati pod oporo za telo.
- Ramenski varnostni pas v vozilu speljite skozi dve nazaj obrnjeni reži za varnostni pas v vozilu na hrbtne strani ojačanega sistema za zadrževanje otrok.

- Odprite zaklep za pas in ramenski pas vstavite skozi odprtino.
Poskrbite, da bo zaklep za pas popolnoma zaprt, kadar ne bo v uporabi, da preprečite telesne poškodbe oziroma poškodbe oblaženja vozila.

- Ojačan sistem za zadrževanje otrok čvrsto potisnite navzdol in povlecite ramenski varnostni pas v vozilu, da varno namestite izboljšani sistem za zadrževanje otrok. 15 -1 in 15 -2

Ne pozabite zapreti zaklepa, potem ko preverite, da je ojačan sistem za zadrževanje otrok varno nameščen. 15 -3 in 15 -4

Pri zapiranju sponk zaklepa v omenjeni predel ne segajte s prsti, da preprečite telesne poškodbe.

Ojačanega sistema za zadrževanje otrok ni mogoče uporabljati, če je zaponka varnostnega pasu v vozilu (ženski del) predolga, da bi omogočala varno namestitev ojačanega sistema za zadrževanje otrok.

Dvakrat preverite, da je ojačani sistem za zadrževanje otrok varno nameščen in se ne premika na sedežu vozila.

16 Pravilno nameščen varnostni pas v vozilu je prikazan na sliki **16**

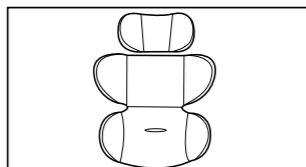
Poskrbite, da je medenični pas vozila speljan skozi režo za medenični pas vozila. **16** -1

Poskrbite, da je ramenski pas vozila speljan skozi nazaj usmerjeno režo za pas vozila.

16 -2

Zaponka varnostnega pasu v vozilu je pravilno nameščena, kot je prikazano na sliki **16** -3

Nameščanje otroka v sistem za zadrževanje otrok z uporabo opore za telo in blazine za naslon za glavo



Priporočamo, da blazino za naslon za glavo in oporo za telo uporabljate, ko je otrok manjši od 60 cm, uporabljate pa ju lahko, dokler otrok ne preraste opore za telo. Blazina za naslon za glavo in opora za telo povečata zaščito pred bočnimi udarci.

17 Držite pritisnjen gumb za prilagoditev varnostnega pasu in popolnoma izvlecite oba ramenska varnostna pasova iz ojačanega sistema za zadrževanje otrok.

18 Pritisnite gumb, da odpnete zaponko.

19 Zaponki namestite na obe strani sedeža, da olajšate nameščanje otroka.

Posedite otroka v ojačani sistem za zadrževanje otroka in namestite pasova čez ramena.

20 Zapnite pasova.

21 Nastavitvene pasove povlecite proti sebi, da jih nastavite na ustrežno dolžino in zagotovite, da je otrok tesno pripet.

Ko otroka namestite, ponovno preverite, ali sta ramenska pasova a ustrezni višini.

Otrok naj bo vedno varno pripet s pasom, tako da odstranite ohlapnost pasov.

Način usmerjenosti naprej

(Višina otroka 100–145 cm)

Glejte slike **22** - **25**

Način usmerjenosti v naprej

Kadar izdelek uporabljate v načinu usmerjenosti naprej, odstranite oporo za telo ter trakove ramenskega pasu, zaponko in jezičke zaponke namestite v predale za shranjevanje varnostnih pasov.

Blazino za naslon za glavo je mogoče uporabljati na način, da je otrokova glava v udobnem položaju.

Ramenska varnostna pasova nastavite na ustrežno dolžino, šele nato ju skupaj z zaponko shranite v ustrezne predale.

Ojačan sistema za zadrževanje nastavite v zeleni položaj nagiba. (4 položaji za način usmerjenosti naprej). Zgornji indikator nagiba poravnajte z eno izmed spodnjih belih števil.

Pri uporabi in nastavljanju varnostnega pasu v vozilu, preverite, da varnostni pas ni

zvit, zaradi česar bi bil vaš otrok nepravilno pripet.

Pritisnite gumb, da odpnete zaponko, kot je prikazano na sliki **18**

Mednožni pas odstranite, kot je prikazano na sliki **28**, in nato odstranite še oporo za telo.

Kadar izboljššan sistem za zadrževanje otrok nameščate v način usmerjenosti naprej, ne uporabite opore za telo. Blazino za naslon za glavo je mogoče uporabljati na način, da je otrokova glava v udobnem položaju.

Shranite prevleko za mednožni pas.

22 Odpnite pritiskača. **22** -1

Zgornji zavihek dvignite in spodnji zavihek povlecite naprej, nato pa ramenska pasova shranite v ustrezne predale za shranjevanje.

22 -2

Zaponko povlecite na hrbtno stran sedežne blazine, nato pa zaponko in jezička zaponke shranite v pripadajoče predale. **22** -3 in **22** -4

23 Ponovno pritrdite pritiskače, da obnovite sedežno blazino. Ponovno nameščena sedežna blazina je prikazana na sliki **23**

Namestitev otroka v sistem za zadrževanje otrok

Preverite, ali sta vodili za ramenski varnostni pas v vozilu na ustrezni višini, ko je otrok nameščen v ojačanem sistemu za zadrževanje otrok.

24 Ramenski varnostni pas speljite skozi vodilo za ramenski varnostni pas, medenični varnostni pas v vozilu pa speljite skozi reži za medenični pas. Zapnite zaponko ter povlecite varnostni pas vozila, da se prepričate, da je zapet.

24 **25**

Ramenski pas mora biti speljan skozi vodilo za ramenski pas.

24 -1

Medenični varnostni pas mora biti speljan skozi režo za medenični varnostni pas.

Ojačanega sistema za zadrževanje otrok ni mogoče uporabljati, če je zaponka varnostnega pasu v vozilu (ženski del) predolga, da bi omogočala varno namestitev

ojačanega sistema za zadrževanje otrok. **24** -2

Za pripenjanje otroka NIKOLI ne uporabljajte 2-točkovnega varnostnega pasu v vozilu (samo medenični varnostni pas).

Ramenski varnostni pas NE SME biti ohlapen ali potekati pod roko.

Ramenskega varnostnega pasu NE uporabljajte za otrokovim hrbtom.

NE dovolite, da otrok v ojačanem sistemu za zadrževanje otrok zdrsne navzdol, saj bi to lahko povzročilo zadušitev.

Odstranjevanje mehkih delov

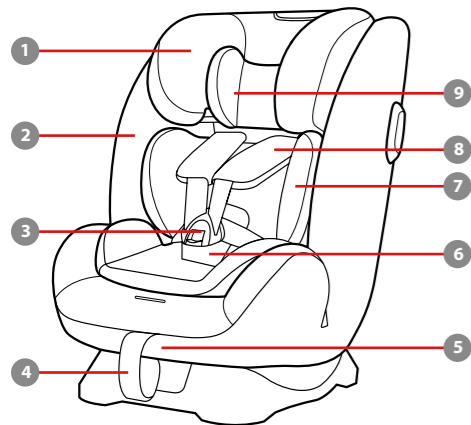
Glejte slike **26** - **34**

26 Pritisnite rdeči gumb, da odpnete sponko.

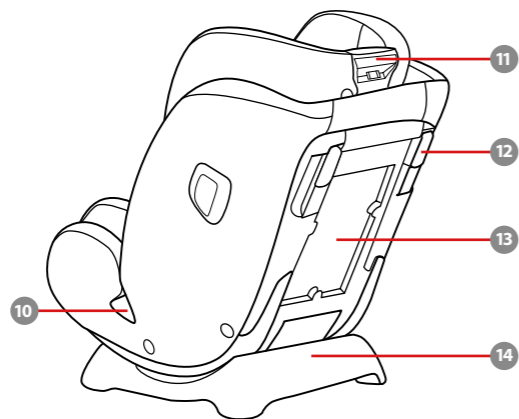
Sledite korakom **27** - **34**, da odstranite mehke dele.

Mehke dele znova namestite tako, da zgornje korake ponovite v obratnem vrstnem redu.

Спецификация деталей



- 1 Подголовник
- 2 Сиденье
- 3 Пряжка
- 4 Ремешок для регулировки ремней
- 5 Рукоятка регулировки наклона
- 6 Накладка для пахового ремня
- 7 Опора для тела
- 8 Накладки для плечевых ремней
- 9 Подушка подголовника
- 10 Отверстия для поясной части автомобильного ремня



- 11 Рычаг для регулировки подголовника
- 12 Зажим штатного ремня безопасности
- 13 Отсек для хранения инструкции по эксплуатации
- 14 Основание
- 15 Боковой защитный модуль (*использование со стороны двери является обязательным)



ВАЖНАЯ ИНФОРМАЦИЯ

ВНИМАТЕЛЬНО ПРОЧТИТЕ ДАННЫЕ ИНСТРУКЦИИ ПЕРЕД НАЧАЛОМ ИСПОЛЬЗОВАНИЯ И СОХРАНИТЕ ИХ НА БУДУЩЕЕ. НЕСОБЛЮДЕНИЕ ИНСТРУКЦИЙ МОЖЕТ ПОСТАВИТЬ ПОД УГРОЗУ БЕЗОПАСНОСТЬ ВАШЕГО РЕБЕНКА.

▲ВНИМАНИЕ:
ВАЖНО! СОХРАНИТЕ НАСТОЯЩЕЕ РУКОВОДСТВО ДЛЯ ИСПОЛЬЗОВАНИЯ В БУДУЩЕМ. ПРОЧТИТЕ ВНИМАТЕЛЬНО!

ПРИ установке жесткие элементы конструкции и пластмассовые детали улучшенного детского автокресла должны располагаться так, чтобы исключить риск их зажатия подвижным сиденьем или дверью автомобиля.

ЗАПРЕЩАЕТСЯ использовать улучшенное детское автокресло в положении лицом против направления движения на сиденьях, оснащенных активными фронтальными подушками безопасности.

Для использования улучшенного детского автокресла в соответствии

с Правилom ООН № 129 ребенок должен соответствовать указанным ниже требованиям.

Положение лицом против направления движения: рост ребенка 40–105 см/ макс. вес: 22 кг

Положение лицом по направлению движения: рост ребенка 100–145 см/ 15 - 36 кг

Улучшенное детское автокресло подходит для установки не во всех разрешенных автомобилях при использовании в некоторых положениях. Подробные сведения см. в утвержденном сертификате.

Все ремни, удерживающие улучшенное детское автокресло в автомобиле, должны быть плотно натянуты. Любые ремни, удерживающие ребенка, должны быть отрегулированы по размеру тела ребенка. Ремни не должны быть перекручены.

Поместив ребенка в улучшенное детское автокресло, следует правильно пристегнуть его ремнями безопасности. Убедитесь, что поясная часть ремня расположена внизу и плотно фиксирует область таза.

Данное улучшенное детское автокресло следует заменить, если оно подверглось высоким нагрузкам во время аварии. При аварии в данном изделии могут образоваться скрытые повреждения.

Помните об опасности внесения любых изменений и дополнений в конструкцию данного изделия без разрешения компетентного органа, а также об опасности несоблюдения инструкций по установке, предоставленных производителем улучшенного детского автокресла.

Не допускайте попадания на улучшенное детское автокресло прямых солнечных лучей, т.к. оно может нагреться и вызвать дискомфорт при контакте с кожей ребенка. Перед тем, как поместить ребенка в улучшенное детское автокресло, всегда проверяйте на ощупь температуру ее поверхности.

КАТЕГОРИЧЕСКИ ЗАПРЕЩАЕТСЯ оставлять ребенка в улучшенном детском автокресле без присмотра.

Любой багаж и другие предметы должны быть надежно закреплены, так как они могут причинить травмы при аварии.

ЗАПРЕЩАЕТСЯ ИСПОЛЬЗОВАТЬ улучшенное детское автокресло без тканевой обивки.

Заменять тканевую обивку допускается только обивкой, рекомендованной производителем, т.к. тканевая обивка является неотъемлемой частью конструкции данного детского удерживающего устройства.

Перед покупкой данного улучшенного детского автокресла следует удостовериться, что его можно правильно установить в вашем автомобиле.

Ни одно улучшенное детское автокресло НЕ гарантирует полную защиту от травм в случае аварии. Однако правильное использование данного улучшенного детского автокресла уменьшает риск причинения тяжелых травм или смерти ребенка.

ЗАПРЕЩАЕТСЯ устанавливать данное улучшенное детское автокресло с нарушением инструкций, изложенных в настоящем руководстве. Это создает значительный риск причинения травм или смерти ребенка.

ЗАПРЕЩАЕТСЯ использовать улучшенное детское автокресло, у которого имеются повреждения или отсутствуют детали.

ЗАПРЕЩАЕТСЯ одевать ребенка в одежду большого размера, так как при этом невозможно правильно и надежно пристегнуть ребенка ремнями за плечи и между ног.

ВАЖНО! НЕ УСТАНОВЛИВАЙТЕ АВТОКРЕСЛО В РЕЖИМЕ БУСТЕРА, ЕСЛИ РОСТ РЕБЕНКА НЕ ДОСТИГ 100 CM (См. инструкции).

Уход за изделием

Снятый поролоновый вкладыш для младенцев следует хранить в недоступном для детей месте.

Тканевые детали следует стирать в холодной воде с температурой не более 30°C.

Запрещается гладить тканевые детали.

Запрещается отбеливать и подвергать тканевые детали химчистке.

Запрещается использовать неразбавленные нейтральные моющие средства, бензин и другие

органические растворители для чистки детского автокресла. Это может привести к повреждению детского автокресла.

Не отжимайте тканевые детали, свернув их с усилием. После этого на тканевых деталях могут образоваться складки.

Вывешивайте тканевые детали для сушки в тени.

Если улучшенное детское автокресло не используется в течение длительного времени, снимайте его с сиденья автомобиля вместе с основанием. Поместите улучшенное детское автокресло в прохладном сухом месте, недоступном для детей.

Соблюдайте осторожность, чтобы не повредить соединения ремней во время чистки автокресла.

gracobaby.eu
www.gracobaby.pl

Информация об изделии

Установка лицом против направления движения

1. Это универсальное улучшенное детское удерживающее устройство с ремнями. Оно утверждено Правилom ООН № 129 для установки, в основном, в «универсальных положениях автомобильных сидений», согласно информации производителей автомобилей, которая содержится в руководстве к автомобилям.
2. В случае появления сомнений обращайтесь к производителю или продавцу улучшенного детского удерживающего устройства.

Лицом по направлению движения

1. Это улучшенное детское удерживающее устройство типа i-Size с сиденьем-бустером. Оно утверждено Правилom ООН № 129 для установки, в основном, в «положениях автомобильных сидений i-Size», согласно

информации производителей автомобилей, которая содержится в руководстве к автомобилям.

2. В случае появления сомнений обращайтесь к производителю или продавцу улучшенного детского удерживающего устройства.

Материалы Пластик, металл, ткань

Номер патента Патенты оформляются

Особенности установки

См. рисунки 1 - 3

- 1 ЗАПРЕЩАЕТСЯ устанавливать детское автокресло на автомобильных сиденьях, установленных лицом против хода движения или в сторону от хода движения автомобиля.

Рекомендуется устанавливать данное детское автокресло на заднем сиденье автомобиля.

ЗАПРЕЩАЕТСЯ устанавливать детское автокресло на

автомобильных сиденьях, подвижных во время установки.

- 2 ЗАПРЕЩАЕТСЯ устанавливать детское автокресло в положении против хода движения на переднем сиденье с подушкой безопасности, т.к. это может привести к серьезной травме или смерти. За дополнительной информацией обращайтесь к руководству по эксплуатации автомобиля.
- 3 Данное детское автокресло предназначено только для автомобильных сидений с 3-точечными инерционными ремнями безопасности. ЗАПРЕЩАЕТСЯ устанавливать детское автокресло на сиденьях с поясными ремнями.

Использование бокового защитного экрана

См. рисунки 4 - 5

- 4 Улучшенное детское автокресло поставляется со съемным боковым защитным экраном. Для оптимальной

защиты использование дополнительного бокового защитного экрана со стороны двери автомобиля является обязательным.

- 5 Нажмите на кнопку фиксатора, чтобы снять боковой защитный экран.

Регулировка наклона

См. рисунки 6 - 7

- 6 Нажмите на рукоятку регулировки наклона и установите улучшенное детское автокресло в требуемое положение.
- 7 Углы наклона показаны на рис. Два угла наклона под номерами 5 и 6 предназначены для режима лицом против направления движения. Четыре угла наклона под номерами 1-4 предназначены для режима лицом по направлению движения. Совместите верхний индикатор наклона с нижними номерами

для установки в нужное положение наклона.

Регулировка высоты

подголовника и плечевых ремней

См. рисунки 8 - 10

- 8 В режиме лицом против направления движения плечевые ремни должны располагаться на уровне или ниже плеч ребенка. Если плечевые ремни будут расположены на неправильной высоте, ребенок может выпасть из улучшенного детского автокресла в случае аварии.
- 9 При установке лицом по направлению движения плечевые направляющие ремней безопасности должны располагаться на уровне плеч ребенка или немного выше. Установите подголовник и плечевые ремни на правильную высоту в соответствии с ростом ребенка.

- 10 Нажмите на рычаг для регулировки подголовника 10 -1 и при этом потяните подголовник вверх или вниз так, чтобы защелкнул его в одном из положений. Положения подголовника показаны на рис. 10 -2

Если подголовник поднят вверх (с 6 по 9 позицию), детское автокресло автоматически раздвигается в обе стороны, чтобы увеличить пространство для плеч.

Установка лицом против направления движения

(Рост ребенка 40–105 см/ вес ребенка ≤22 кг)

См. рисунки 11 - 21

Установите детское автокресло на заднее сиденье автомобиля. Затем посадите ребенка в детское автокресло.

Установка лицом против направления движения

Установите улучшенное детское автокресло под нужным углом (в одну из 2-х позиций для режима лицом против направления движения). Совместите верхний индикатор наклона с одним из нижних белых номеров.

Перед установкой улучшенного детского автокресла отрегулируйте высоту плечевых ремней.

При установке и регулировке ремня безопасности удостоверьтесь, что его плечевая и поясная части не перекручены, и ремень исправен.

11 Пропустите поясную часть ремня безопасности через отверстия для поясного ремня.

12 Затем застегните замок автомобильного ремня безопасности в пряжке.

Поясная часть ремня безопасности должна проходить под опорой для тела.

13 Пропустите плечевую часть ремня безопасности через два отверстия для штатных ремней безопасности в задней части улучшенного детского автокресла.

14 Раскройте фиксирующий механизм ремня и пропустите через него плечевую часть ремня.

Удостоверьтесь, что зажим полностью закрыт, если фиксатор не используется, во избежание травм и повреждения обивки автомобиля.

15 Хорошо прижмите улучшенное детское автокресло и надежно зафиксируйте его, потянув за плечевую часть ремня безопасности. **15** -1 & **15** -2

Закройте зажим, проверив надежность закрепления улучшенного детского автокресла. **15** -3 & **15** -4
Закрывая застёжки крепления, не подставляйте пальцы во избежание травмы.

Улучшенное детское автокресло запрещается использовать, если пряжка ремня безопасности

(гнездовая часть) слишком длинная и не позволяет надежно закрепить улучшенное детское автокресло.

Еще раз проверьте надежность и неподвижность установки детского автокресла на автомобильном сиденье.

16 Правильно застегнутый ремень безопасности показан на рисунке **16**

Убедитесь, что поясная часть ремня безопасности проходит через отверстие для поясной части ремня безопасности.

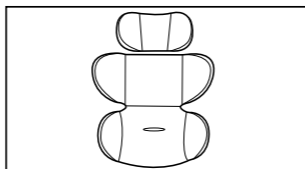
16 -1

Убедитесь, что плечевая часть ремня безопасности проходит через отверстие для плечевой части ремня безопасности.

16 -2

Замок автомобильного ремня безопасности должен быть правильно застегнут в пряжке, см. рис. **16** -3

Пристегивание ребенка в детском автокресле с использованием опоры для тела и подушки подголовника



Рекомендуется использовать опору для тела и подушку подголовника для младенцев ростом до 60 см или до тех пор, пока ребенок не перерастет опору для тела. Использование опоры для тела и подушки подголовника улучшает защиту от боковых ударов.

17 Нажав на кнопку регулировки ремней, полностью вытяните два плечевых ремня улучшенного детского автокресла.

18 Нажмите кнопку, чтобы расстегнуть пряжку.

19 Зафиксируйте пряжки с обеих сторон сиденья, чтобы удобнее усадить ребенка.

Посадите ребенка в улучшенное детское автокресло и поместите обе руки под ремни.

20 Застегните пряжку.

21 Вытащите регулировочный ремень на нужную длину, чтобы плотно зафиксировать ребенка.

Посадив ребенка в детское автокресло, проверьте правильность высоты плечевых ремней.

Обязательно пристегивайте ребенка ремнями. Ремни должны быть хорошо натянуты, без провисания.

Лицом по направлению движения (рост ребенка 100 - 145 см)

См. рисунки **22** - **25**

Установка лицом по направлению движения

При использовании в режиме лицом по направлению движения достаньте опору для тела и положите плечевые ремни и пряжку с фиксаторами в отсеки для хранения ремней.

Подушку подголовника можно использовать по необходимости для удобного размещения головы ребенка.

Перед помещением плечевых ремней и пряжки в отсеки для хранения выставьте правильную длину плечевых ремней.

Установите улучшенное детское автокресло под нужным углом наклона. (в положении лицом по направлению движения предусмотрено 4 позиции). Совместите верхний индикатор наклона с одним из нижних

белых номеров.

При использовании и регулировке штатного ремня безопасности следите за тем, чтобы он не перекручивался, так как это мешает правильной фиксации ребенка.

Нажмите кнопку, чтобы расстегнуть пряжку, см. рис. **18**

Снимите паховый ремень, как показано на рис. **28**, а затем извлеките опору для тела.

При установке улучшенного детского автокресла в положении лицом по направлению движения не используйте опору для тела. Подушку подголовника можно использовать по необходимости для удобного размещения головы ребенка.

Храните накладки для пахового ремня в надежном месте.

22 Отсоедините застёжки. **22** -1

Поднимите верхний клапан и откиньте нижний клапан вперед, а затем поместите плечевые ремни в соответствующие отсеки для хранения. **22** -2

Притяните пряжку к задней части подкладки сиденья и поместите пряжку и застёжки в специальные отсеки для хранения. **22** -3 & **22** -4

23 Чтобы установить на место подкладку сиденья, присоедините застёжки. Собранная подкладка сиденья показана на рисунке **23**

Пристегивание ребенка в улучшенном детском автокресле

Поместив ребенка в улучшенное детское автокресло, проверьте высоту плечевых направляющих для ремня безопасности.

24 Пропустите плечевую часть ремня через плечевую направляющую, а поясную часть ремня — через отверстия для поясной части ремня безопасности. Застегните замок автомобильного ремня безопасности и потяните за штатный ремень безопасности, чтобы проверить его натяжение. **24** **25**

Плечевая часть ремня безопасности должна проходить через плечевую направляющую для ремня безопасности. **24** -1

Поясная часть ремня должна проходить через отверстие для поясной части ремня безопасности.

Улучшенное детское автокресло запрещается использовать, если пряжка ремня безопасности (гнездовая часть) слишком длинная и не позволяет надежно закрепить улучшенное детское автокресло. **24** -2

КАТЕГОРИЧЕСКИ ЗАПРЕЩАЕТСЯ использовать для фиксации ребенка 2-точечный ремень безопасности (фиксирующий только бедра ребенка).

ЗАПРЕЩАЕТСЯ оставлять плечевую часть ремня безопасности ненатянутой, а также располагать ее под мышкой.

ЗАПРЕЩАЕТСЯ располагать плечевую часть ремня безопасности за спиной ребенка.

Не допускайте сползания ребенка вниз в улучшенном детском автокресле, так как это может привести к удушью.

Снятие тканевых деталей

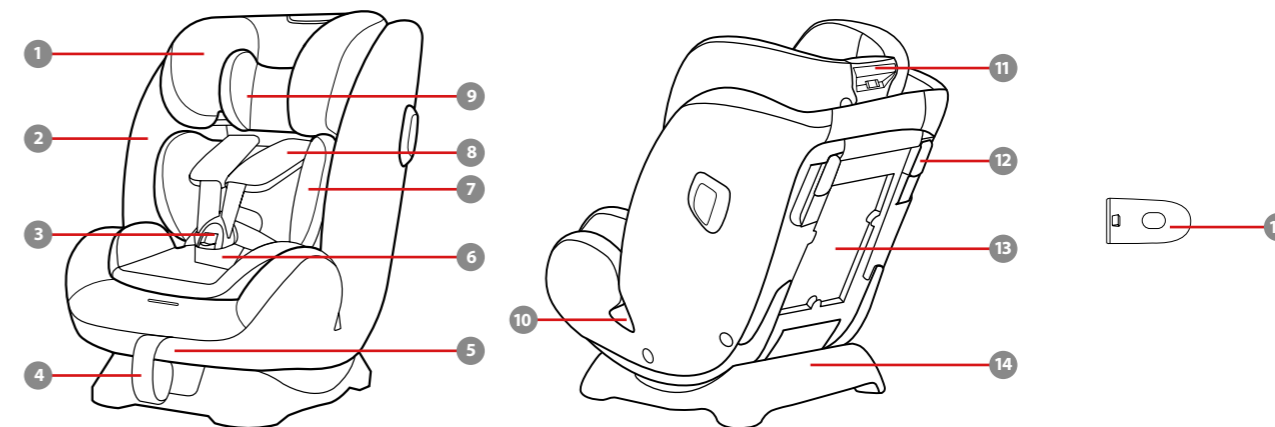
См. рисунки **26** - **34**

26 Нажмите красную кнопку, чтобы расстегнуть пряжку.

Выполните шаги **27** - **34**, чтобы снять тканевые детали.

Чтобы снова надеть тканевые детали, выполните приведенные выше шаги в обратном порядке.

Liste over dele



- 1 Nakkestøtte
- 2 Sæde
- 3 Spænde
- 4 Justeringssele
- 5 Håndtag til justering af ryglænet
- 6 Sridtselebetræk
- 7 Kropsstøtte
- 8 Skulderselebetræk
- 9 Pude til nakkestøtte
- 10 Huller til køretøjets taljesele
- 11 Justeringshåndtag til hovedstøtter

- 12 Lås til sikkerhedsselen i køretøjet
- 13 Opbevaringsrum til brugsvejledningen
- 14 Bund
- 15 Sideskærm
(*må kun bruges på sidedøren)

VIGTIGT

LÆS DISSE VEJLEDNINGER OMHYGGELIGT FØR BRUG BEHOLD DEM TIL SENERE REFERENCE. HVIS DISSE VEJLEDNINGER IKKE FØLGES, KAN DET GÅ UD OVER DIT BARN'S SIKKERHED.

⚠ ADVARSEL:
VIGTIGT, BEHOLD TIL SENERE REFERENCE: LÆS DENNE VEJLEDNING OMHYGGELIGT.

Når autostolen monteres SKAL du holde øje med at dens hårde genstande og plastdele ikke kan komme i klemme i et bevægeligt sæde eller i en køretøjets døre.

Autostolen må IKKE bruge i bagudvendt stilling på sæder med en aktiv airbag foran.

For at bruge denne autostol i henhold til FN regulativ nr. 129, skal dit barn opfylde følgende krav.

Bagudvendt: Barnets højde 40-105 cm/ maks. 22kg

Fremadvendt: Barnets højde 100-145 cm/15-36 kg

Autostolen passer muligvis ikke altid i alle positioner i godkendte køretøjer. For yderligere oplysninger, bedes du

venligst se det godkendte certifikat.

En sele, der holder autostolen fast til køretøjet, skal altid sidde stramt. En sele, der fastholder barnet, skal justeres, så den passer til barnets krop. En sele må aldrig være snoet.

Når dit barn er anbragt i denne autostol, skal sikkerhedsselen bruges korrekt. Sørg for, at alle skødestropper sidder lavt, så bækket sidder fast.

Hvis denne forstærket autostol udsættes for voldsomme belastninger i en ulykke, skal den skiftes. En ulykke kan forårsage skader, som ikke kan ses.

Vær opmærksom på faren ved at foretage ændringer eller tilføjelser til anordningen, uden godkendelse af den typegodkendende myndighed, og faren ved ikke at følge autostolens installationsvejledninger, der følger med produktet.

Denne forstærkede autostol skal holdes væk fra sollys, da den ellers kan blive for varm for barnets hud. Mærk altid efter med en hånd, inden du anbringer barnet i autostolen.

Efterlad ALDRIG dit barn i autostolen uden opsyn.

Bagage eller andre genstande kan føre

til skader i tilfælde af et sammenstød, og de skal derfor spændes ordentligt fast.

Autostolen må IKKE bruges uden de bløde dele.

De bløde dele må ikke erstattes med nogen andre dele, undtagen dele der anbefales af producenten, da de bløde dele er en integreret del af autostolens funktion.

Kontroller, om denne autostol kan monteres korrekt i dit køretøj, før du køber det.

INGEN autostol kan garantere en fuld beskyttelse imod kvæstelser ved en ulykke. Korrekt brug af denne autostol kan dog nedsætte risikoen for alvorlige kvæstelser eller dødsfald.

Du MÅ IKKE montere autostolen uden at følge instruktionerne og advarslerne i denne brugsanvisning, da du ellers kan udsætte dit barn for alvorlig risiko for personskade eller dødsfald.

Brug IKKE denne autostol, hvis den er beskadiget eller mangler dele.

Barnet MÅ IKKE have for stort tøj på, da dette kan gøre, at barnet ikke spændes ordentligt og sikkert fast af skulderselerne og selerne mellem

lårene.

VIGTIGT - MÅ IKKE BRUGES SOM BOOSTER FØR BØRNET HØJDE ER OVER 100 CM (se vejledningerne)

Pleje og vedligeholdelse

Når indlægget til spædbørn tages af, skal de gemmes et sted uden for barnets rækkevidde.

De bløde dele skal vaskes i koldt vand under 30 °C.

De bløde dele må ikke stryges.

De bløde dele må ikke vaskes med blegemiddel eller kemiske rengøringsmidler.

Autostolen må ikke vaskes med ufortyndet neutralt rengøringsmiddel, benzin eller andre organiske opløsningsmidler. Det kan forårsage skade på autostolen.

Undgå at vride de bløde dele for meget, når de skal tørres. Det kan give de bløde dele folder.

De bløde dele skal hænges til tørre i skyggen.

Fjern autostolen og bunden fra

køretøjets sæde, hvis de ikke skal bruges i en længere periode. Opbevar autostolen på et køligt og tørt sted, som er utilgængeligt for børn.

Hvis autostolen og basen ikke anvendes i længere tid, bør den tages ud af bilen og opbevares i et tørt køligt sted, utilgængeligt for børn.

gracobaby.eu
www.gracobaby.pl

Produktoplysninger Forholdsregler Bagudvendt stilling

1. Dette er et autostol-system med universal-seler. Det er - i henhold til FN-regulativ nr.129 - godkendt til brug i "Universale siddepositioner", som er angivet af bilproducenterne i køretøjets brugervejledning.
2. Hvis du er i tvivl, skal du kontakte producenten af autostolen eller din forhandler.

Fremadvendt stilling

1. Dette er et i-Size autostol-system. Det er - i henhold til FN-regulativ nr.129 - godkendt til brug i "i-Size siddepositioner", som er angivet af bilproducenterne i køretøjets brugervejledning.
2. Hvis du er i tvivl, skal du kontakte producenten af autostolen eller din forhandler.

Materialer Plastik, Metal, Stoffer

Patentnummer Afventer patent

Forholdsregler under opstilling af autostolen

Se billederne 1 - 3

1 Monter IKKE denne autostol på køretøjssæder, der vender sidelæns eller bagud i forhold til køreretningen.

Det anbefales at montere denne forstærkede autostol på bagsædet i bilen.

Denne autostol må IKKE monteres på sæder, der kan bevæge sig under brug.

2 Anbring IKKE en bagudvendt forstærket autostol på forsæder med airbag, da det kan medføre død eller alvorlige skader. Se brugsanvisningen til bilen for flere oplysninger.

3 Denne autostol er kun beregnet til køretøjssæder med udtrækkelige 3-punktssikkerhedsseler.

Denne autostol må IKKE monteres på sæder, der kun er udstyret med taljeseler.

Brug sideskærmen

Se billederne 4 - 5

4 Autostolen er udstyret med en aftagelig sideskærm. Sideskærmen skal bruges på dørsiden i køretøjet, for at opnå den bedste beskyttelse.

5 Tryk på frigivelsesknappen for, at fjerne sideskærmen.

Indstilling af ryglænet

Se billederne 6 - 7

6 Tryk på håndtaget til justering af ryglænet, og juster ryglænet til den ønskede position.

7 Ryglænets positioner kan ses på billede **7**

Der er to lænevinkler 5-6 på bagudvendt stilling.

Der er fire lænevinkler 1-4 på fremadvendt stilling.

Sørg for den øvre læne-indikator passer med numrene forned, for at opnå den ønskede lænestilling.

Højdeindstilling af nakkestøtte og skulderseler

Se billederne 8 - 10

8 Når autostolen bruges i bagudvendt stilling, skal højden på skulderselen passe med barnets skuldre.

Hvis skulderselerne ikke er i korrekt højde, kan barnet blive slynget ud af autostolen, hvis der sker en ulykke.

9 Når autostolen bruges i fremadvendt stillingen, skal rillerne til skulderselerne være ud for eller lige over barnets skuldre.

Juster hovedstøtten og skulderselerne, så de passer til barnets højde.

10 Klem justeringshåndtaget til hovedstøtten sammen **10**-1, mens du trækker hovedstøtten op eller ned, indtil den klikker sig fast i en stilling. Nakkestøttens positioner er vist i **10**-2

Når nakkestøtten justeres op (fra 6.-9. stilling), bevæger siderne på autostolen sig automatisk udad,

for at give mere skulderplads.

Bagudvendt stilling (Børnehøjde 40-105 cm/ Børnevægt ≤ 22kg)

Se billederne 11 - 21

Stil autostolen på bagsædet i køretøjet, og put derefter barnet i autostolen.

Opstilling til bagudvendt stilling

Juster autostolen til den ønskede tilbagelænet position (2 positioner til bagudvendt stilling). Sørg for den øvre læne-indikator passer med de hvide tal forned.

Sørg for at skulderselen justeres korrekt til barnets højde, inden autostolen sættes på sædet.

Når sikkerhedsselerne sættes på og justeres, skal du sørge for, at både skulderselen og taljeselen ikke er snoet, hvilket kan forhindre sikkerhedsselerne i at fungere ordentligt.

11 Før køretøjets taljesele gennem åbningen dertil.

12 Spænd derefter køretøjets

sikkerhedssele i spændet.

Køretøjets taljesele skal føres under kropsstøtten.

13 Før køretøjets skuldersele gennem de to bagudvendt huller på bagsiden af autostolen.

14 Åbn selens spænde og stik skulderselen igennem hullet.

Sørg for, at låsen til selen lukkes helt, når autostolen ikke er i brug for at forhindre skader eller beskadigelse af køretøjets indtræk.

15 Tryk autostolen ordentligt ned, og træk i bilens skuldersele for at fastgøre autostolen sikkert.

15-1 & **15**-2

Sørg for, at låse låsen, når du har kontrolleret, at autostolen er ordentligt fastgjort. **15**-3 & **15**-4

Hold fingrene væk, når du låser låsen, for at undgå personskader.

Autostolen må ikke bruges, hvis spændet på køretøjets sikkerhedssele (hunstikket) er for langt til at fastgøre autostolen sikkert.

Dobbelttjek, at autostolen sidder ordentligt fast og ikke bevæger sig på køretøjets sæde.

16 Spænd sikkerhedsselen i køretøjet, som vist på billede **16**

Sørg for, at køretøjets taljesele er ført gennem hullet til køretøjets taljesele. **16**-1

Sørg for, at køretøjets skuldersele er ført gennem de bagudvendte åbninger dertil. **16**-2

Sikkerhedsselen i køretøjet spændes, som vist i **16**-3

Fastspænding af barnet i autostolen med kropsstøtten og nakkestøttepuden



17 Tryk på knappen til justering af selen, samtidigt med at du trækker de to skulderseler helt ud af den forstærkede autostol.

18 Tryk på knappen, for at åbne spændet.

19 Spænd spænderne på begge sider af sædet, så det er nemmere at lægge barnet i.

Anbring barnet i autostolen, og før begge arme gennem selerne.

20 Lås spændet.

21 Træk selejusteringen mod dig selv, og juster selen til den ønskede længde, og sørg for at dit barn er spændt ordentligt fast.

Når barnet sidder i autostolen, skal du sørge for, at skulderselerne er i den korrekte højde.

Sørg altid for at barnet er spændt fast med selen, og at selen sidder ordentligt og ikke for løs.

Fremadvendt stilling (Børnehøjde 100-145 cm)

Se billederne 22 - 25

Opstilling til fremadvendt stilling

Når autostolen bruges i fremadvendt stilling, skal du fjerne kropsstøtten og placere skulderselen, spændet og spændestykket i opbevaringsrummet til dem.

Nakkestøttepuden kan bruges alt efter om barnets hoved er i en behagelig position.

Juster skulderselerne til den korrekte længde, inden de og spænderne lægges i opbevaringsrummet.

Juster autostolen til den ønskede tilbagelænet position. (4 positioner på fremadvendt stilling). Sørg for den øvre læne-indikator passer med de hvide tal forned.

Når du bruger og justerer bilens sikkerhedssele, skal du sørge for at den ikke den ikke foldes, så barnet

ikke spændes ordentligt fast.

Tryk på knappen, for at løse spændet, som vist i **18**

Fjern skridtselen, som vist i **28** og fjern derefter indlægget til spædbørn.

Kropsstøtten må ikke bruges, når autostolen vender i fremadvendt stilling. Nakkestøttepuden kan bruges alt efter om barnets hoved er i en behagelig position.

Opbevar venligst skridtselebetrækket ordentligt, så det ikke mistes.

22 Løsn stropperne. **22**-1

Løft den øverste klap opad og træk den nederste klap frem, og put derefter skulderstropperne i hver deres opbevaringsrum. **22**-2

Træk spændet mod bagsiden af sædepuden, og put derefter spændedelene i hver deres opbevaringsrum. **22**-3 & **22**-4

23 Knap trykknapperne, for at sætte sædepuden på igen. Autostolen med sædepuden på er vist på billede **23**

Sådan spændes barnet fast i autostolen

Kontroller, om køretøjets skulderseler er i korrekt højde, når barnet er i autostolen.

- 24** Placer skulderselen gennem skuldersele-hullet, og før taljeselen gennem hullerne til den. Sørg for, at køretøjets spænde spændes, og træk i køretøjets sele for at sikre, at det er spændt. **24** **25**

Skulderselen skal føres gennem hullet til skulderselen. **24** -1

Taljeselen skal føres gennem hullet til taljeselen.

Autostolen må ikke bruges, hvis spændet på køretøjets sikkerhedssele (hunstikket) er for langt til at fastgøre autostolen sikkert. **24** -2

Brug ALDRIG en 2-punktssele (kun taljesele) til, at spænde barnet fast.

Skulderselen må ALDRIG sidde løs eller føres under armen.

Skulderselen må ALDRIG føres bag barnets ryg.

UNDGÅ at barnet glider ned i autostolen, da dette udgør en risiko for kvælning.

Sådan tages de bløde dele af

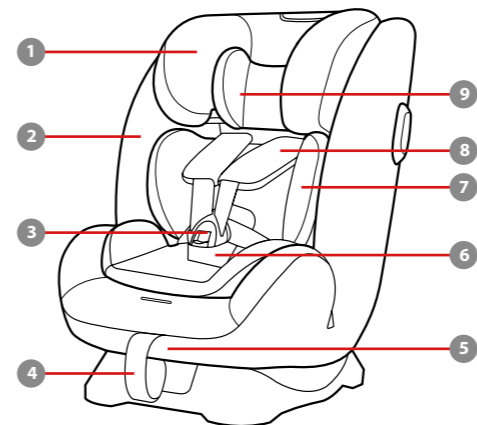
Se billederne **26** - **34**

- 26** Tryk på den røde knap for at åbne låsebeslaget.

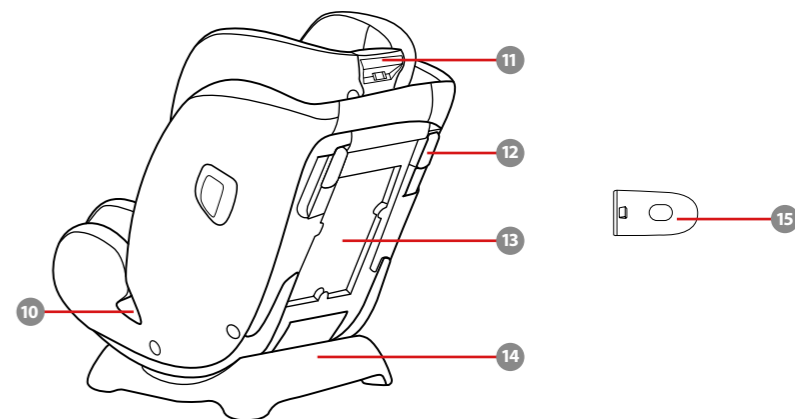
Følg trinene **27** - **34** for, at tage de bløde dele af.

For at sætte de bløde dele på igen skal du gentage ovenstående trin i omvendt rækkefølge.

Deleliste



- 1 Hodestøtte
- 2 Sete
- 3 Spenne
- 4 Selejusteringsrem
- 5 Ryggjusteringshåndtak
- 6 Midjebeltetrekk
- 7 Kroppsstøtte
- 8 Skulderbeltetrekk
- 9 Hodestøttepute
- 10 Midjebeltespør i bilen
- 11 Hodestøttejusteringsspak



- 12 Bilbeltelås
- 13 Oppbevaring for bruksanvisning
- 14 Base
- 15 Beskyttelseskapsel mot sidestøt (*må kun brukes på dørsiden)

VIKTIG

LES DISSE INSTRUKSJONENE NØYE FØR BRUK, OG BEHOLD DEM FOR FREMTIDIG OPPSLAG. DERSOM DU IKKE FØLGER DISSE INSTRUKSJONENE, KAN DET GÅ UT OVER SIKKERHETEN TIL BARNET DITT.

⚠️ADVARSEL:

VIKTIG, BEHOLD FOR FREMTIDIG OPPSLAG: LES NØYE.

PASS PÅ at de stive gjenstandene og plastdelene på det forbedrede barnesetet blir plassert og installert slik at de ikke kan hemmes av et flyttbart sete eller døren til bilen.

IKKE bruk bakovervendte forbedrede barnesetesystemer i sitteplasser der en aktiv frontkollisjonspute er installert.

For at bruk av dette forbedrede barnesetet skal være i henhold til FN-forskrift nr. 129 må barnet være innenfor følgende mål:

Bakovervendt: Barnets høyde 40–105 cm / maks. 22kg

Fremovervendt: Barnets høyde 100-145cm / 15-36kg

Det forbedrede barnesetet passer kanskje ikke i alle godkjente biler når de brukes i noen av stillingene.

Du finner mer informasjon i godkjenningssertifikatet.

Alle remmer som holder det forsterkede barnesetet i kjøretøyet, skal være tette. Eventuelle stropper som holder fast barnet, skal tilpasses kroppen til barnet. Stroppene skal ikke vrís.

Når barnet er satt i det forbedrede barnesetet, må sikkerhetsbeltet brukes riktig. Sørg for at midjebelte legges lavt slik at skrittet er godt festet og under press.

Dette forbedrede barnesetet bør byttes ut når den har vært utsatt for tunge belastninger i en ulykke. En ulykke kan føre til skade som du ikke kan se.

Vær oppmerksom på faren ved endringer eller tillegg til enheten som gjøres uten godkjenning fra gjeldende myndighet eller hvis ikke installasjonsinstruksjonene gitt av produsenten til det forbedrede barnesetet følges.

Hold dette forbedrede barnesetet borte fra sollys, da det kan bli for varmt for huden til barnet. Ta alltid på det forbedrede barnesetet før du setter barnet i det.

Legg ALDRI barnet i dette forbedrede

barnesetet uten tilsyn.

All bagasje eller andre gjenstander som kan gi personskafer ved kollisjon, skal være forsvarlig festet.

Det forbedrede barnesete systemet SKAL IKKE BRUKES uten de myke delene.

De myke delene skal ikke byttes ut med noen andre enn de som er anbefalt av produsenten, da de er vesentlige for ytelsen til barnesetet.

Kontroller om dette forbedrede barnesetet kan monteres riktig i kjøretøyet før du kjøper det.

INGEN forsterkede barneseter kan garantere full beskyttelse mot skade ved en ulykke. Riktig bruk av dette forbedrede barnesetet vil imidlertid redusere risikoen at barnet ditt blir alvorlig skadet eller dør.

IKKE monter det forbedrede barnesetet å uten å følge instruksjonene i denne håndboken, ellers kan barnet utsettes for alvorlig fare for skade eller død.

IKKE bruk det forbedrede barnesetet hvis det er skadet eller deler mangler.

IKKE kle barnet i store/ overdimensjonerte klær, da dette kan hindre at barnet blir ,

ordentlig og sikkert festet med skulderbeltestroppene og skrittremmen mellom bena.

VIKTIG - IKKE BRUK DEN SOM BOOSTER-MODUS FØR BARNET HØYDE MERE ENN 100CM (Se instruksjonene.)

Stell og vedlikehold

Når du har fjernet skummet fra spedbarnsinnlegget, legger du den på et sted der barnet ikke når det.

Vask de myke delene med kaldt vann under 30 °C.

Ikke stryk de myke delene.

Ikke bruk blekemiddel eller tørrens på de myke delene.

Ikke bruk ufortynnede nøytralt vaskemiddel, bensin eller andre organiske løsemidler til å vaske barnesetet. Det kan føre til skade på barnesetet.

Ikke vri opp de myke delene med stor kraft for å tørke dem. Det kan gjøre dem rynket.

Tørk de myke delene i skyggen.

Fjern det forsterkede barnesetet og basen fra bilsetet hvis det ikke skal brukes på lengre tid. Legg det

forsterkede barnesetet på et kjølig, tørt sted der barnet ikke får tilgang til det.

Ikke tukle med selekontaktene under rengjøring.

gracobaby.eu

www.gracobaby.pl

Produktinformasjon Merknader for installasjon

Bakovervendt modus

1. Dette er et universalt forsterket barnesetesystem med belte. Det er godkjent i henhold til FN-forskrift nr. 129 for bruk i «Universale sitteplasser» som angitt av kjøretøyprodusentene i bruksanvisningen til kjøretøyet.
2. Hvis du er i tvil, tar du kontakt med produsenten eller forhandleren av det forbedrede barnesetet.

Fremovervendt bruk

1. Dette er et i-Size beltepute forbedret barnesetesystem. Det er godkjent i henhold til FN-forskrift nr. 129 for bruk i «i-Size-sitteplasser» som angitt av kjøretøyprodusentene i bruksanvisningen til kjøretøyet.
2. Hvis du er i tvil, tar du kontakt med produsenten eller forhandleren av det forbedrede barnesetet.

Materialer Plast, metall, tekstiler

Patentnr. Patentmeldt

Se bilder 1 - 3

1 IKKE installer barnesetet på bilseter som er vendt sidelengs eller bakover med hensyn til retningen bilen beveger seg.

Det anbefales at barnesetet monteres på et baksete.

IKKE installer barnesetet på bilseter som lar seg bevege under installasjonen.

2 IKKE plasser et bakovervendt, barnesete på forsete med airbag, da dødsfall eller alvorlig skade kan oppstå. Se bruksanvisningen til kjøretøyet for mer informasjon.

3 Dette barnesetet er kun egnet for bilseter som har 3-punktsbelte med automatisk beltestrammer. IKKE installer barnesetet på bilseter som har midjebelter.

Bruk sidestøtbeskyttelse

Se bilder 4 - 5

4 Det forsterkede barnesetet leveres med en avtagbar beskyttelse mot sidestøt. Dette sidestøtvernet må brukes på dørsiden av kjøretøyet for best mulig beskyttelse.

5 Trykk utløserknappen for å fjerne beskyttelsen mot sidestøt..

Ryggjustering

Se bilder 6 - 7

6 Trykk ryggjusteringshåndtaket, og juster det forbedrede barnesetet til riktig posisjon.

7 Vinklene for lening er vist som **7** Det er to lenevinkler 5–6 for bakovervendt bruk. Det er fire lenevinkler 1–4 for fremovervendt bruk.

Sett den øverste liggeindikatoren på linje med de nedre tallene for ønsket lenestilling.

Høydejustering for hodestøtte og skuldersele

Se bilder **8** - **10**

8 Ved bakovervendt bruk må høyden på skuldersesleporene være på høyde med eller like under toppen av skuldrene til barnet.

Hvis skulderselene ikke er i riktig høyde, kan barnet bli kastet ut av det forbedrede barnesetet hvis det oppstår en ulykke.

9 Ved fremovervendt bruk må høyden på skulderselen være på høyde med eller like over skuldrene til barnet.

Juster hodestøtten og skulderselene til riktig høyde i henhold til barnets høyde.

10 Klem justeringsspaken for hodestøtten **10** -1 mens du trekker opp eller ned på hodestøtten til den klikker inn i en posisjon. Hodestøtteposisjonene er vist som **10** -2

Når hodestøtten justeres opp (fra 6.–9. stilling), beveges sidene på

barnesetet automatisk utover for å gi mer skulderplass.

Bakovervendt modus

(Barnets høyde 40–105 cm / Barnets vekt ≤ 22 kg)

Se bilder **11** - **21**

Installer barnesetet på baksetet, og sett deretter barnet i barnesetet.

Installasjon for bakovervendt bruk

Juster det forbedrede barnesetet til ønsket lenestilling (2 stillinger for bakovervendt bruk). Sett den øverste leneindikatoren på linje med et av de hvite nedre tallene.

Sørg for at skulderselen er justert til riktig høyde før du installerer dette forbedrede barnesetet.

Når du installerer og justerer sikkerhetsbeltene, må du sørge for at verken skulderbeltet eller midjebeltet er vridd eller vil hindre sikkerhetsbeltene fra å fungere som de skal.

11 Før bilbeltet gjennom bilens belteslisser.

12 Fest bilens spennetunge inn i spennen.

Kjøretøyets belte må legges under kroppsstøtten.

13 Før bilbeltet gjennom bilens to bakovervendte belteslisser på baksiden av det forbedrede barnesetet.

14 Åpne beltelåsen, og sett skulderbeltet gjennom den.

Sørg for at beltelåsen er helt lukket når den ikke er i bruk for å forhindre personskaade eller skade på møbeltrekket i bilen.

15 Trykk det forbedrede barnesetet helt ned og trekk bilens skulderbelte for å feste det forbedrede barnesetet ordentlig. **15** -1 og **15** -2

Sørg for at du lukker låsen når du har kontrollert at det forbedrede barnesetet er festet ordentlig.

15 -3 og **15** -4

Hold fingrene vekk når du lukker låseklemmene for å unngå personskaade.

Det forbedrede barnesetet kan ikke brukes hvis bilens låsespenningen i kjøretøyet (hunnenden) er for lang til å forankre belteputen på en sikker måte.

Dobbeltsekk at det forbedrede barnesetet er ordentlig montert og ikke beveger seg på bilstolen.

16 Korrekt montert bilbelte er vist som **16**

Sørg for at bilbeltet til bilen føres gjennom bilens midjebeltespør.

16 -1

Sørg for at skulderbeltet til bilen føres gjennom bilens bakovervendte belteslisse. **16** -2

Bilens spennetunge er riktig festet i spennen som **16** -3

Fest barnet i barnesetet med kroppsstøtte og nakkestøttepute



17 Trykk inn på selejusteringsknappen, og trekk ut de to skulderselene på det forbedrede barnesetet.

18 Trykk knappen for å frigjøre spennen.

19 Fest spennene på begge sider av setet for å gjøre det lettere å plassere babyen.

Legg barnet i det forsterkede barnesetet, og legg legges armer gjennom selen.

20 Fest spennen.

21 Trekk justeringsbåndet mot deg for å justere det til riktig lengde, og sørg for at barnet sitter godt fast.

Når barnet sitter, må du sjekke igjen at skulderseleremmen er i riktig høyde.

Barnet skal alltid holdes godt i selen og strammet ordentlig; eventuelt slakk skal fjernes.

Fremovervendt bruk

(Barnets høyde 100–145 cm)

Se bilder **22** - **25**

Installasjon for fremovervendt bruk

Ved fremovervendt bruk må du fjerne kroppsstøtten og plassere skulderseleremmen, spennen og spennetungene i seleoppbevaringsrommet.

Hodestøtteputen kan brukes hvis det er behagelig for barnet.

Juster skulderselene til riktig lengde før du oppbevarer skulderremmen og spennen i oppbevaringsrommene.

Juster det forbedrede barnesetet til ønsket lenestilling (4 stillinger for fremovervendt bruk). Sett den øverste leneindikatoren på linje med et av de hvite nedre tallene.

Når du bruker og justerer bilbeltet, må du sørge for at bilbeltet ikke er vridd, noe som kan føre til at barnet festes feil.

Trykk knappen for å frigjøre spennen som **18**

Fjern skrittremmen som vist på **28** og deretter kroppsstøtten.

Når du installerer det forbedrede barnesetet for fremovervendt bruk, må du ikke bruke kroppsstøtten. Hodestøtteputen kan brukes hvis det er behagelig for barnet.

Ta vare på skrittbeltet for å unngå at det går tapt.

22 Løse knipsene. **22** -1

Løft den øvre klaffen opp, trekk den nedre klaffen fremover, og legg deretter skulderremmen i oppbevaringsrommene. **22** -2

Trekk spennen til baksiden av seteputen, og legg deretter spennen og spennetungene i de henholdsvis oppbevaringsrommene. **22** -3 og **22** -4

23 Sett knipsene på plass igjen for å hente seteputen. Den ferdigmonterte seteputen er vist som **23**

Feste barnet i barnesetesystemet

Kontroller at bilens skulderbelteføringer er i riktig høyde når barnet er i det forbedrede barnesetet.

- 24** Legg skulderbeltet gjennom skulderbelteføringer og midjebeltet gjennom midjebeltesporene. Koble til bilens spenne og trekk kjøretøybeltet for å sikre at det er strammet. **24** **25**

Skulderbeltet må legges gjennom skulderbelteføringer. **24** -1

Midjebeltet må legges gjennom midjebeltesporet.

Det forbedrede barnesetet kan ikke brukes hvis bilens låsespenner i kjøretøyet (hunnenden) er for lang til å forankre belteputen på en sikker måte.

24 -2

Bruk ALDRI et 2-punkts bilbelte (kun midjebelte) til å sikre barnet.

IKKE la skulderbeltet ligge løst eller under armen.

IKKE legg skulderbeltet bak ryggen til barnet.

IKKE la barn skli ned i det forbedrede barnesetet, da det er fare for kvelning.

Ta av de myke delene

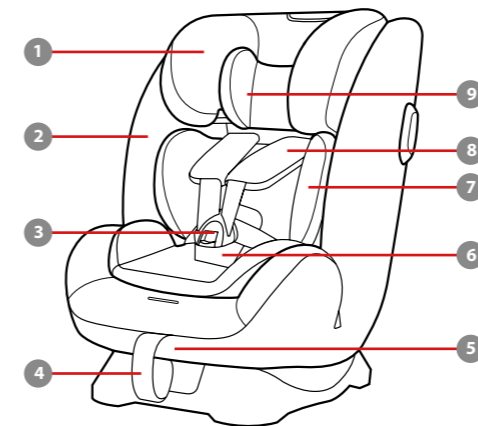
Se bilder **26** - **34**

- 26** Trykk den røde knappen for å frigjøre spennen.

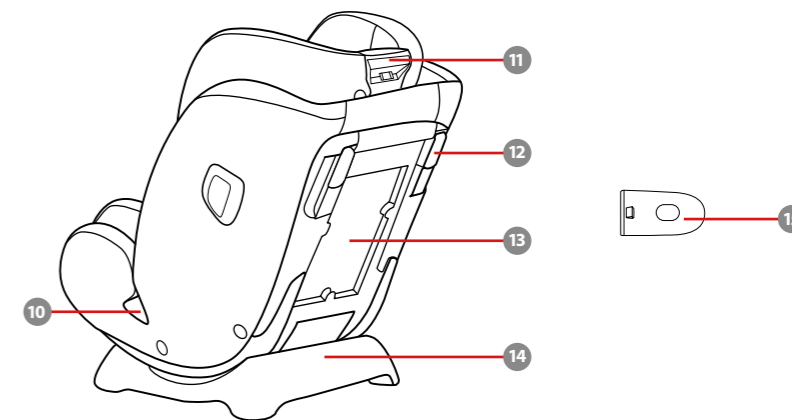
Følg trinnene **27** - **34** for å ta av de myke delene.

Når du skal feste de myke delene igjen, gjentar du trinnene ovenfor i omvendt trinn.

Lista över delar



- 1** Huvudstöd
- 2** Sits
- 3** Spänne
- 4** Selens justeringsrem
- 5** Justeringshandtag för tillbakalutning
- 6** Grenremsskydd
- 7** Kroppsstöd
- 8** Axelseleskydd
- 9** Huvudstödskudde
- 10** Öppningar för fordonets höftbälten
- 11** Inställningsspak för huvudstödet



- 12** Fordonets bältespärranordning
- 13** Förvaringsutrymme för bruksanvisning
- 14** Bas
- 15** Öppningar för fordonets höftbälten (*får endast användas på dörrsidan)

VIKTIGT

LÄS NOGA IGENOM DESSA INSTRUKTIONER INNAN ANVÄNDNING OCH SPARA DEM FÖR FRAMTIDA BRUK. BARNETS SÄKERHET KAN PÅVERKAS OM DU INTE FÖLJER DESSA INSTRUKTIONER.

⚠ VARNING:
VIKTIGT, SPARA FÖR FRAMTIDA BEHOV: LÄS IGENOM NOGA.

VAR försiktig så att du är säker på att fasta föremålen och plastdelarna på den förstärkta bilbarnstolen är placerade och monterade så att de inte är benägna att fastna i ett säte som rör sig eller någon av fordonets dörrar.

Använd INTE framåtvända förstärkta bilbarnstolsystem på säten som det finns en aktiv krockkudde monterad framför.

För att använda den här förstärkta bilbarnstolen i enlighet med FN-förordning nr 129 måste ditt barn uppfylla följande krav.

Bakåtvänd: Barnets längd
40 cm–105 cm/max 22 kg

Framåtvänd: Barnets längd
100 cm–145 cm/15kg–36 kg

Den förstärkta bilbarnstolen

kanske inte passar i alla godkända fordon när den används i vissa positioner. Mer information finns i godkännandecertifikatet.

Alla band som håller fast den förstärkta bilbarnstolen i fordonet måste vara åtdragna och alla band som håller fast barnet måste justeras efter barnets kropp. Banden får inte heller tvinnas.

När barnet placerats i denna förstärkta bilbarnstol måste bilbältet användas korrekt. Se till att säkerställa att höftbandet sitter lågt ned, så att bäckenet är ordentligt fastsatt, skall vara spänt.

Den här förstärkta bilbarnstolen bör bytas ut efter att den har utsatts för kraftig påverkan vid en olycka. En olyckshändelse kan orsaka skador på den som inte är synliga med blotta ögat.

Överväg risken med att utföra några ändringar eller tillägg på enheten utan godkännande från adekvat myndighet och riskerna med att inte noga följa monteringsanvisningarna som tillverkaren inkluderat med bilbarnstolen.

Håll den här förstärkta bilbarnstolen borta från solljus eftersom den i annat

fall kan bli för het för barnets hud. Känn alltid på den förstärkta bilbarnstolen innan du placerar barnet i den.

Lämna ALDRIG ditt barn utan uppsikt i eller vid den här förstärkta bilbarnstolen.

Allt bagage eller andra föremål som kan orsaka personskador vid en kollision måste vara ordentligt säkrade.

Det förstärkta bilbarnstolsystemet SKA INTE ANVÄNDAS utan tygdelar.

Det mjuka materialet får inte ersättas med något annat material än det som rekommenderas av tillverkaren, eftersom det mjuka materialet utgör en integrerad del av bilbarnstolens egenskaper.

Kontrollera om den här förstärkta bilbarnstolen kan monteras på rätt sätt i ditt fordon innan du köper den.

INGEN förstärkt bilbarnstol kan garantera ett fullständigt skydd mot personskador vid en olycka. Däremot minskar en korrekt användning av den här förstärkta bilbarnstolen risken för allvarliga personskador eller dödsfall för ditt barn.

Installera INTE den här förstärkta bilbarnstolen utan att följa

instruktionerna i denna bruksanvisning eftersom du annars kan utsätta ditt barn för allvarliga skaderisker eller dödsfall.

Använd INTE den här förstärkta bilbarnstolen om den är skadad eller om delar saknas.

Låt INTE ditt barn bära stora/för stora kläder eftersom dessa kan förhindra att barnet sitter säkert och korrekt fastspänt med axelremmarna och grenbandet mellan benen.

VIKTIGT - ANVÄND DEN INTE I BÄLTESKUDDESLÄGE INNAN BARNETS LÄNGD NÄTT 100CM (se instruktionerna).

Skötsel och underhåll

När skuminlägget tagits bort ska det förvaras utom räckhåll för barn.

Tvätta det mjuka materialet i kallt vatten under 30 °C.

Stryk inte det mjuka materialet.

Blek inte eller kemtvätta det mjuka materialet.

Använd inte utspädda neutrala rengöringsmedel, bensin eller andra

organiska lösningsmedel till att tvätta bilbarnstolen. Det kan skada bilbarnstolen.

Vrid inte ur det mjuka materialet för att torka det. Det kan orsaka veck i det mjuka materialet.

Häng upp det mjuka materialet och låt det torka i skuggan.

Ta bort den förstärkta bilbarnstolen och basen från fordonet om det inte skall användas under en längre tid. Placera den förstärkta bilbarnstolen på en sval och torr plats där ditt barn inte kan komma åt den.

Mixtra inte med selens anslutning under rengöring.

gracobaby.eu
www.gracobaby.pl

Produktinformation

Bakåtvänt läge

1. Det här är universell bältförsedd förbättrad bilbarnstol. Den är godkänd enligt FN-förordning nr 129 för huvudsaklig användning i "universella sätespositioner" som indikeras av fordonstillverkare i fordonets bruksanvisning.

2. Vid tveksamheter ska antingen tillverkaren eller återförsäljaren av system för förstärkt bilbarnstol rådfrågas.

Framåtvänt läge

1. Det här är ett i-Size-system för bälteskudde till förstärkt bilbarnstol. Den är godkänd enligt FN-förordning nr 129 för huvudsaklig användning i "i-Size sätespositioner" som indikeras av fordonstillverkare i fordonets bruksanvisning.

2. Vid tveksamheter ska antingen tillverkaren eller återförsäljaren av system för förstärkt bilbarnstol rådfrågas.

Material Plats, metall, tyg

Patentnr. Patentansökan under behandling

Angående installation

Se bilder **1** - **3**

1 Montera INTE den här bilbarnstolen på fordonssäten som är placerade i sidoläge eller bakåtvänt läge, i förhållande till fordonets normala färdriktning.

Rekommendationen är att montera den här bilbarnstolen på baksätet.

Montera INTE den här bilbarnstolen på fordonssäten som är flyttbara under monteringen.

2 Placera INTE en framåtvänd bilbarnstol i ett framsäte som har en krockkudde eftersom det kan leda till dödsfall eller allvarlig kroppsskada. Mer utförlig information återfinns i fordonets bruksanvisning.

3 Den här bilbarnstolen är endast lämplig för fordonssäten med utdragbara trepunktsbälten.

Installera INTE den här bilbarnstolen på fordonssäten med höftbälten.

Använda sidokrockskyddet

Se bilder **4** - **5**

4 Den förstärkta bilbarnstolen levereras med löstagbart sidokrockskydd. Sidokrockskyddet måste användas på fordonets dörrsida för att ge bästa skydd.

5 Tryck på frigöringsknappen för att ta bort sidokrockskyddet.

Lutningsjustering

Se bilder **6** - **7**

6 Tryck på justeringshandtaget för tillbakalutning och ställ in den förstärkta bilbarnstolen till en lämplig position.

7 Lutningsvinklarna visas enligt **7**. Det finns två lutningsvinklar 5–6 för bakåtvänt läge.

Det finns fyra lutningsvinklar 1–4 för framåtvänt läge.

Rikta in övre lutningspositionens

indikator med nedre numret för önskad lutningsposition.

Höjjustering för huvudstöd och axelselen

Se bilder **8** - **10**

8 Vid användning i bakåtvänt läge måste axelremmarnas höjd vara i jämnhöjd med eller strax under översta punkten på barnets axlar.

Om axelselen inte är i korrekt höjd kan barnet kastas loss från den förstärkta bilbarnstolen i händelse av en olycka.

9 Vid användning i framåtvänt läge måste axelselens öppningar vara i jämnhöjd med eller precis ovanför barnets axlar.

Ställ in huvudstödet och axelselen i korrekt höjd efter barnets längd.

10 Kläm på inställningsspaken för huvudstödet **10** -1 och dra samtidigt upp eller skjut ned på huvudstödet tills det klickar på plats i någon position. Huvudstödet positioner visas enligt **10** -2

När huvudstödet justeras

uppåt (från det 6:e-9:e läget) flyttas sidorna på bilbarnstolen automatiskt utåt för att axlarna ska få mer plats.

Bakåtvänt läge (Barnets längd 40 cm–105 cm/barnets vikt ≤ 22 kg)

Se bilder **11** - **21**

Installera bilbarnstolen på bilstolen och placera sedan barnet i bilbarnstolen.

Installation för bakåtvänt läge

Justera den förstärkta bilbarnstolen till önskad lutningsposition (2 positioner för bakåtvänt läge). Rikta in övre lutningsindikatorn mor en av de nedre vita siffrorna.

Se till att axelremmen är inställd på korrekt höjd innan den här förstärkta bilbarnstolen installeras.

Vid installation och inställning av säkerhetsbältet, se till att vare sig axel- och höftbälte är tvinnade och att de inte förhindrar att säkerhetsbältet fungerar ordentligt.

11 Dra fordonets höftbälte genom fordonets slitsar för höftbälte.

12 Fäst sedan fast fordonbältesspännets tunga i bälteslåset.

Fordonets höftbälte måste gå under kroppsstödet.

13 För igenom fordonets axelrem genom de två bakåtriktade bältesöppningarna på baksidan av den förstärkta bilbarnstolen.

14 Öppna bälteslåset och för in axelbältet genom den.

Säkerställ att bältets låsöppning är helt stängt när det inte används för att förhindra skada på person eller bilklädseln.

15 Tryck ned den förstärkta bilbarnstolen med ett fast grepp och dra i fordonets axelbälte för att fästa den förstärkta bilbarnstolen ordentligt.

15 -1 & **15** -2

Se till att stänga låset efter att du har kontrollerat att bilbarnstolen sitter fast ordentligt.

15 -3 & **15** -4

Håll fingrarna borta när låsklämman stängs för att undvika skador.

Den förstärkta bilbarnstolen kan inte användas om fordonssäkerhetsbältets spänne (honan) är för långt för att förankra den förstärkta bilbarnstolen ordentligt.

Dubbelkontrollera att den förstärkta bilbarnstolen sitter säkert installerad och inte flyttar sig på fordonssätet.

16 Korrekt fäst säkerhetsbälte visas i **16**

Se till att fordonets höftbälte passerar genom midjebältesöppning. **16** -1

Se till att fordonets axelbälte passerar genom bältesöppning på bakåtvända stolen. **16** -2

Fordonbältesspännets tunga ska vara fäst i bälteslåset på ett korrekt sätt **16** -3

Se till att ditt barn sitter säkert i bilbarnstolen med kroppsstöd och huvudstöds kudde



17 Medan du trycker på axelselens justeringsknapp, dra helt i axelselens båda remmar på den förstärkta bilbarnstolen för spädbarn.

18 Tryck på den knappen för att öppna spännet.

19 Sätt fast spännena på båda sidorna om sätet för att underlätta placering av barnet.

Placera barnet i den förstärkta bilbarnstolen och trä båda armarna genom selen.

20 Aktivera spännet.

21 Dra justeringsbandet mot dig för att justera det till lämplig längd och kontrollera att det sitter snävt om ditt barn.

När barnet sitter på plats, kontrollera igen att axelselen sitter på rätt höjd.

Ha alltid barnet säkert i selen som ska vara ordentligt åtdragen, ta bort eventuellt slack.

Framåtvänt läge

(Barnets längd: 100 cm–145 cm)

Se bilder **22** - **25**

Installation för framåtvänt läge

När framåtvänt läge används ska kroppsstödet tas bort och remmarna till axelselen, bälteslås och spännets tunga placera i selens dolda förvaringsutrymme.

Huvudstöds kudden kan användas baserat på huruvida det är bekvämt för barnets huvud.

22 Lossa tryckknapparna. **22** -1 Lyft den övre fliken uppåt och dra den nedre fliken framåt. Förvara sedan axelremmarna i sina förvaringsfack. **22** -2

Dra spännet till baksidan av sitsdynan och förvara sedan spännet och bältestungan i respektive förvaringsutrymme. **22** -3 & **22** -4

23 Sätt tillbaka tryckknapparna för att sätta tillbaka sittdynan. Den återplacerade sittdynan visas i **23**

sitter fast på korrekt sätt.

Tryck på knappen för att öppna spännet enligt **18**

Ta bort grenbandet som visas i **28** och därefter kroppsstödet.

När den förstärkta bilbarnstolen installeras i framåtvänt läge ska kroppsstödet inte användas. Huvudstöds kudden kan användas baserat på huruvida det är bekvämt för barnets huvud.

Håll grenbältes skyddet i ordning så att inget går förlorat.

22 Lossa tryckknapparna. **22** -1

Lyft den övre fliken uppåt och dra den nedre fliken framåt. Förvara sedan axelremmarna i sina förvaringsfack. **22** -2

Dra spännet till baksidan av sitsdynan och förvara sedan spännet och bältestungan i respektive förvaringsutrymme. **22** -3 & **22** -4

23 Sätt tillbaka tryckknapparna för att sätta tillbaka sittdynan. Den återplacerade sittdynan visas i **23**

Sätta fast barnet i bilbarnstolen system

Kontrollera att fordonets axelbältesledare sitter på korrekt höjd när barnet sitter i den förstärkta bilbarnstolen.

- 24** Positionera axelbandet genom axelbältesguiden och för midjebältet genom midjebältesöppningarna. Aktivera fordonets spänne och dra i bilbältet för att kontrollera att det är åtdraget. **24 25**

Axelbältet måste passera genom axelbältesguiden. **24 -1**

Höftbältet måste passera genom höftbältets öppning.

Den förstärkta bilbarnstolen kan inte användas om fordonssäkerhetsbältets spänne (honan) är för långt för att förankra den förstärkta bilbarnstolen ordentligt. **24 -2**

Använd ALDRIG ett fordonsbälte med 2-punkter (endast höftbälte) för att spädda fast ditt barn.

Låt INTE axelbältet vara löst eller placerat under armen.

Placera INTE axelbältet bakom barnets rygg.

Låt INTE barnet glida ned i den förstärkta bilbarnstolen då det medför risk för strypning.

Borttagning av mjuka delar

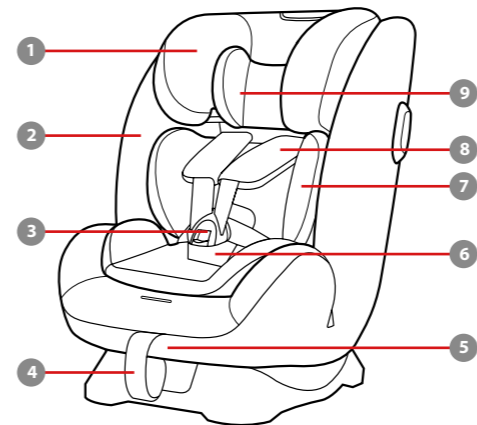
Se bilder **26 - 34**

- 26** Tryck på den röda knappen för att öppna spännet

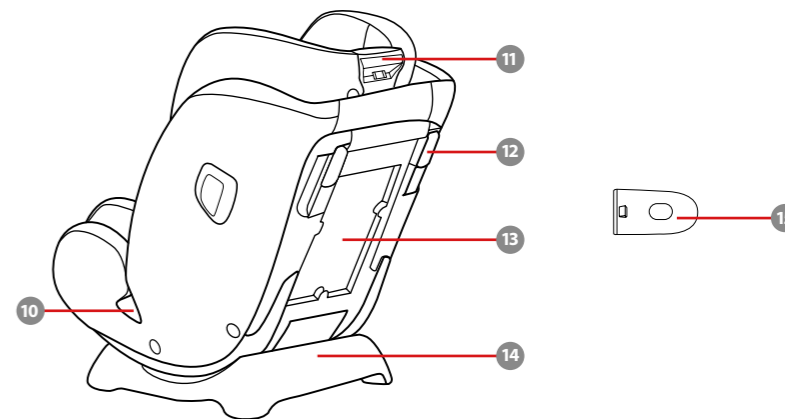
Följ stegen **27 - 34** för att ta bort det mjuka delarna.

För att montera fast det mjuka materialet igen, upprepa stegen ovan i omvänd ordning.

Osaluettelo



- 1 Päätuki
- 2 Istuin
- 3 Solki
- 4 Valjaiden säätöhihna
- 5 Kallistuksen säätökahva
- 6 Haaravaljaiden suojuus
- 7 Vartalotuki
- 8 Hartiavaljaiden suojuukset
- 9 Päänojan tyyny
- 10 Ajoneuvon syliturvavyön kiinnityskolot
- 11 Päätuon säätövipu



- 12 Ajoneuvon turvavyön lukitusmekanismi
- 13 Käyttöoppaan säilytyslokero
- 14 Alusta
- 15 Sivutörmäyssuoja
(*käytettävä ainoastaan oven sisäpuolella)

TÄRKEÄÄ

LUE NÄMÄ OHJEET HUOLELLISESTI ENNEN KÄYTTÖÄ JA SÄILYTÄ NE TULEVAA KÄYTTÖÄ VARTEN. LAPSESI TURVALLISUUS VOI OLLA UHATTUNA, JOLLET NOUDATA NÄITÄ OHJEITA.

VAROITUS:
TÄRKEÄÄ, SÄILYTÄ TULEVAA KÄYTTÖÄ VARTEN: LUE HUOLELLISESTI.

PIDÄ HUOLI, että parannetun lasten turvaistuimen jäykät kohteet ja muoviosat tulevat sijoitetuiksi niin, että niiden juuttuminen siirrettävään istuimeen tai ajoneuvon oveen on epätodennäköistä.

ÄLÄ käytä taaksepäin suunnattua parannettua lasten turvaistuinta istuimilla, joihin on asennettu aktiivinen frontaalinen turvatyyny.

Käyttääksesi tätä parannettua lasten turvaistuinta Yhdistyneiden Kansakuntien säädöksen nro 129 mukaisesti, lasten turvaistuin on täytettävä seuraavat vaatimukset.

Taaksepäin suunnattu: Lapsen pituus 40–105 cm / paino maks. 22kg

Kasvot menosuuntaan: Lapsen pituus 100–145 cm / paino 15–36 kg

Parannettu lapsen turvaistuin ei ehkä sovi kaikkiin hyväksytyihin ajoneuvoihin, kun sitä käytetään jossakin asennoissa. Katso lisätietoja hyväksytystä sertifikaatista.

Kaikkien hihnojen, jotka pitävät lasten parannettua turvaistuinta kiinni ajoneuvossa, tulee olla tiukkoja ja kaikkien lasta rajoittavien hihnojen tulee olla säädetty lasten turvaistuin kehelle sopivaksi eivätkä hihnat saa olla kiertyneitä.

Kun lapsi on asetettu tähän parannettuun lasten turvaistuimeen, turvavyötä on käytettävä oikein. Varmista, että kaikkia sylihiphoja pidetään alhaalla niin, että lantio on kiinnittynyt lujasti, on kuormitettava.

Tämä parannettu lasten turvaistuin tulee vaihtaa, jos se on altistunut voimakkaalle rasitukselle onnettomuudessa. Onnettomuus voi aiheuttaa silmille havaitsematonta vahinkoa.

Pidä mielessä vaara, joka aiheutuu ilman toimivaltaisen viranomaisen hyväksyntää tehdyistä muutoksista tai lisäyksistä, ja vaaroja, jotka aiheutuvat siitä, ettei lasten parannetun turvaistuimen valmistajan toimittamia asennusohjeita noudateta tarkasti.

!Pidä tämä parannettu lasten turvaistuin poissa auringonpaisteesta, siitä voi tulla liian kuumaa lasten iholle. Tunnustele parannettua lasten turvaistuinta ennen lapsen asettamista siihen.

ÄLÄ KOSKAAN jätä lasta valvomatta tähän parannettuun lasten turvaistuimeen.

Kaikki matkatavarat tai muut esineet, jotka voivat aiheuttaa vammoja törmäystilanteessa, on kiinnitettävä kunnolla.

Parannettua lasten turvaistuinjärjestelmää EI SAA KÄYTTÄÄ ilman pehmyttarvikkeita.

Pehmyttarvikkeita ei saa vaihtaa muihin kuin valmistajan suosittelemiin, koska pehmyttarvikkeet muodostavat kiinteän osan turvajärjestelmän suorituskyvystä.

Tarkista, voidaanko tämä parannettu lasten turvaistuinjärjestelmä asentaa oikein ajoneuvoosi ennen kuin ostat sen.

MIKÄÄN parannettu lasten turvaistuin ei takaa täyttä suojaa vammalta onnettomuudessa. Tämän parannetun lasten turvaistuimen oikea käyttö kuitenkin vähentää lapsen vakavan

vamman tai kuoleman vaaraa.

ÄLÄ asenna tätä parannettua lasten turvaistuinta noudattamatta tämän käyttöoppaan ohjeita, muuten saatat asettaa lapsen vakavaan loukkaantumisen tai kuoleman vaaraan.

ÄLÄ käytä tätä parannettua lasten turvaistuinta, jos se on vahingoittunut, tai jos siitä puuttuu osia.

ÄLÄ pue lasta väliin / liian suuriin vaatteisiin, se voi estää lasten turvallisen kiinnittämisen hartiavaljaisiin ja haarahihnaan jalkojen välissä.

TÄRKEÄÄ - ÄLÄ KÄYTÄ SITÄ ISTUINKOROKETILASSA ENNEN KUIN LAPSEN PITUUUS ON YLI 100 CM (Katso ohjeet).

Hoito ja kunnossapito

Poistettuasi vaahtomuovikiilan vauvalisäosasta, säilytä sitä lasten ulottumattomissa.

Pese pehmyttarvikkeet alle 30 °C -asteisessa kylmässä vedessä.

Älä silitä pehmusteita.

Älä valkaise tai kuivapese pehmyttarvikkeita.

ÄLÄ käytä laimentamatonta neutraalia pesuainetta, bensiiniä tai muita orgaanisia liuottimia lapsen turvaistuimen pesemiseen. Se voi vahingoittaa lasten turvaistuinta.

Älä kuivaa pehmyttarvikkeita kiertämällä niitä suurella voimalla. Siitä voi jäädä pehmyttarvikkeisiin rypyjä.

Ripusta pehmyttarvikkeet kuivumaan varjoon.

Irrota parannettu lasten turvaistuin ja alusta ajoneuvon istuimesta, jos sitä ei käytetä pitkään aikaan. Säilytä parannettua lasten turvaistuinta viileässä, kuivassa paikassa, johon lapsilla ei ole pääsyä.

Älä peukaloi valjaiden liittimiä puhdistuksen aikana.

gracobaby.eu
www.gracobaby.pl

Tuotetiedot

Taaksepäin suunnattu tila

1. Tämä on yleis-vyöllinen parannettu lasten turvaistuinjärjestelmä. Se on hyväksytty Yhdistyneiden Kansakuntien säädöksen nro 129 mukaisesti käytettäväksi ensisijaisesti "yleisissä istuinpaikoissa", kuten ajoneuvojen valmistajien ajoneuvon käyttöoppaissa on ilmoitettu.
2. Jollet ole varma, ota yhteyttä parannetun lasten turvaistuinjärjestelmän valmistajaan tai jälleenmyyjään.

Kasvot menosuuntaan -tila

1. Tämä on i-Size-parannetun lapsen turvaistuimen istuinkoroke. Se on hyväksytty Yhdistyneiden Kansakuntien säädöksen nro 129 mukaisesti käytettäväksi ensisijaisesti "i-Size-istuinpaikoissa", kuten ajoneuvojen valmistajien ajoneuvon käyttöoppaissa on ilmoitettu.
2. Jollet ole varma, ota yhteyttä parannetun lasten turvaistuinjärjestelmän

valmistajaan tai jälleenmyyjään.

Materiaalit Muovit, metalli, kankaat

Patenttinumero Patentteja vireillä

Asennuksessa huomioitavaa

Katso kuvat **1** - **3**

1 ÄLÄ asenna tätä lapsen turvaistuinta ajoneuvon istuimille, jotka on suunnattu sivuttain tai taaksepäin ajoneuvon kulkusuuntaan nähden.

On suositeltavaa asentaa tämä lapsen turvaistuin ajoneuvon takapenkille.

ÄLÄ asenna tätä lapsen turvaistuinta ajoneuvon penkeille, jotka ovat siirrettäviä asennuksen aikana.

2 ÄLÄ aseta taaksepäin suunnattua lapsen turvaistuinta turvatyynylliselle etuistuimelle, seurauksena voi olla kuolema tai vakava vamma. Katso ajoneuvon käyttöoppaasta lisätietoja.

3 Tämä lapsen turvajärjestelmä on sopiva vain ajoneuvon istuimille,

joissa on kelauslaitteella varustettu 3-pisteturvavyö.

ÄLÄ asenna tätä lapsen turvajärjestelmää ajoneuvon istuimiin lantiovöillä.

Käytä sivutörmäyssuojaa

Katso kuvat **4** - **5**

4 Parannettu lasten turvaistuin on varustettu irrotettavalla sivutörmäyssuojalla. Tätä sivutörmäyssuojaa tulee käyttää ajoneuvon ovipuolella parhaan suojauksen varmistamiseksi.

5 Paina vapautuspainiketta irrottaaksesi sivutörmäyssuojan.

Kallistuksen säätö

Katso kuvat **6** - **7**

6 Paina kallistuksen säätökahvaa ja säädä parannettu lapsen turvaistuin oikeaan asentoon.

7 Kallistuskulmat on näytetty **7** Kallistuskulmia 5–6 on kaksi taaksepäin suunnatussa tilassa Kallistuskulmia 1–4 on neljä kasvot

menosuuntaan -tilassa.

Kohdista yläkallistuksen ilmaisin alanumeroiden kanssa saadaksesi halutun kallistusasennon.

Korkeuden asetus Päätuelle ja hartiavaljaille

Katso kuvat **8** - **10**

8 Käytettäessä taaksepäin suunnatussa tilassa, hartiavaljaiden korkeuden on oltava samalla tasolla kuin lapsen hartiat tai juuri niiden alapuolella.

Jos hartiavaljaat eivät ole oikealla korkeudella, lapsi voi irrota parannetusta lapsen turvaistuimesta kolaritilanteessa.

9 Käytettäessä kasvat menosuuntaan -tilassa, hartiavaljaiden ohjainten on oltava samalla tasolla tai juuri lapsen hartioiden yläpuolella.

Säädä päätuki ja hartiavaljaat oikealle korkeudelle lapsen pituuden mukaan.

10 Purista päätuen säätövipua **10** -1 samalla, kun vedät ylös tai painat alas päätukea, kunnes se

napsahtaa yhteen asennoista. Päätuen asennot on näytetty kuvassa **10** -2

Koska päätuki on säädetty ylös (6–9-sijainnista), lapsen turvaistuimen sivut siirtyvät automaattisesti ulospäin tehden hartioille enemmän tilaa.

Taaksepäin suunnattu tila (Lapsen pituus 40–105 cm / Lapsen paino ≤ 22 kg)

Katso kuvat **11** - **21**

Asenna lasten turvaistuin ajoneuvon takaistuimelle ja aseta sitten lapsi turvaistuimeen.

Asennus taaksepäin suunnattuun tilaan

Säädä parannettu lapsen turvaistuin haluttuun kallistuskulmaan (2 asentoa taaksepäin suunnatussa tilassa). Kohdista yläkallistusilmaisin yhden valkoisista alanumeroista kanssa.

Varmista, että hartiavaljaat on säädetty oikealle korkeudelle ennen tämän parannetun lapsen

turvaistuimen asentamista.

Kun asennat ja säädät turvavöitä, varmista, ettei hartiaivöy ja sylivyö ole kiertyneet, ja etteivät ne estä turvavöitä toimimasta oikein.

11 Varmista, että ajoneuvon lantioturvavyö sylvyy ajoneuvon lantioturvavyön aukkojen kautta.

12 Kiinnitä ajoneuvon soljen kieli solkeen.

Ajoneuvon sylvyytö tulee kulkea vartalotuen alta.

13 Vie ajoneuvon hartiaturvavyö ajoneuvon taaksepäin suunnatun kahden turvavyön aukon läpi parannetun lapsen turvaistuimen takana.

14 Avaa turvavyön lukitusmekanismi ja liitä hartiaivöy sen läpi.

Varmista vamman tai ajoneuvon verhoilun vahingoittumisen estämiseksi, että vyön lukitusmekanismi on kokonaan suljettu, kun se ei ole käytössä.

15 Paina parannettu lasten turvaistuin lujasti alas ja vedä ajoneuvon hartiaivöy kiinnittäaksesi parannetun lapsen turvaistuimen pitävästi. **15** -1 & **15** -2

Varmista, että suljet lukitusmekanismin, kun olet tarkistanut, että parannettu lasten turvaistuin on kiinnitetty pitävästi. **15** -3 & **15** -4

Varo sormiasi, kun suljet lukitusmekanismin pidikkeet välttääksesi vamman.

Parannettua lapsen turvaistuinta ei voi käyttää, jos ajoneuvon turvavyön solki (naaras-solkipää) on liian pitkä parannetun lapsen turvajärjestelmän pitävään ankurointiin.

Varmista uudelleen, että parannettu lapsen turvaistuin on asennettu pitävästi eikä liiku ajoneuvon istuimessa.

16 Oikein koottu ajoneuvon turvavyö on näytetty kuvassa **16**

Varmista, että ajoneuvon sylviturvavyö kulkee ajoneuvon sylviturvavyön raon kautta. **16** -1

Varmista, että ajoneuvon hartiaturvavyö kulkee taaksepäin suunnatun ajoneuvon turvavyön raon kautta. **16** -2

Ajoneuvon soljen kieli on kiinnitetty solkeen oikein, kuten kuvassa **16** -3

Käytä lapsen kiinnittämiseen lapsen turvajärjestelmään vartalotukea ja päänojan tyynyä



On suositeltavaa käyttää koko vartalotukea, kun vauva on alle 60 cm:n pituinen, ja sitä voi käyttää, kunnes hän on kasvanut vartalotukea pitemmäksi. Päänojan tyyny ja vartalotuki lisäävät sivutörmäyssuojausta.

17 Samalla kun painat valjaiden säätöpainiketta, vedä kokonaan ulos kaksi parannetun lasten turvaistuimen valjasta.

18 Paina painiketta soljen avaamiseksi.

19 Kiinnitä lapsen turvajärjestelmän molemmilla puolilla olevat soljet lapsen sijoittamisen tekemiseksi mukavammaksi.

Aseta lapsi parannettuun lasten turvaistuimeen ja vie molemmat kädet valjaiden läpi.

20 Kiinnitä solki.

21 Vedä säätönauhakudosta itseäsi kohti säätääksesi sen oikeaan pituuteen ja varmistaaksesi, että lapsi on kiinnitetty tiukasti.

Kun lapsi on paikoillaan, tarkista uudelleen, ovatko hartiavaljaat oikealla korkeudella.

Pidä lapsi aina kiinnitettynä valjaisiin, jotka on kiristetty oikein poistamalla löysyys.

Kasvat menosuuntaan -tila (Lapsen pituus 100–145 cm)

Katso kuvat **22** - **25**

Asennus kasvat menosuuntaan suunnattuun tilaan

Käytettäessä kasvat menosuuntaan -tilaa, poista vartalotuki ja aseta hartiavaljaiden hihnat, solki ja soljen kielet valjaiden piilossa oleviin säilytysosastoihin.

Päätuen tyyny voi käyttää lapsen pään mukavan asennon mukaan.

Säädä hartiavaljaat oikean pituisiksi ennen kuin asetat hartiahihnat ja soljen säilytysosastoihinsa.

Säädä parannettu lapsen turvaistuin haluttuun kaltevuuteen. (4 asentoa kasvat menosuuntaan suunnatussa tilassa). Kohdista yläkallistusilmaisin yhden valkoisista alanumeroista kanssa.

Kun käytät ja säädät ajoneuvon turvavöitä, tarkista, ettei se ole

kierteillä, jotka voivat johtaa lapsen virheelliseen kiinnitykseen.

Paina painiketta soljen avaamiseksi kuten **18**

Irrota haarahihna, kuten kuvassa **28** ja sen jälkeen vartalotuki.

Kun asennat parannetun lapsen turvaistuimen kasvat menosuuntaan suunnattuun tilaan, älä käytä vartalotukea. Päätuen tyyny voi käyttää lapsen pään mukavan asennon mukaan. Pidä haaravyön suojusta hyvin välttääksesi menetyksen.

22 Avaa nepparit **22** -1

Nosta yläläppää ylöspäin ja vedä ja alaläppää eteenpäin, ja aseta sitten hartiavaljaat säilytysosastoihinsa. **22** -2

Vedä solki istuintyynyn taakse ja aseta sitten solki ja solkien kielet säilytysosastoihinsa. **22** -3 & **22** -4

23 Kiinnitä nepparit asettaaksesi istuintyynyn takaisin paikalleen. Takaisin paikalleen asetettu istuintyyny näkyy kuvassa **23**

Lapsen kiinnittäminen lapsen turvaistuimeen

Tarkista ovatko ajoneuvon hartiavyön ohjaimet oikealla korkeudella, kun lapsi on parannetussa lapsen turvaistuimessa.

24 Sijoita hartiavyö hartiavyön ohjaimen kautta ja vie sylivyö sylivyön aukkojen kautta. Kiinnitä ajoneuvon solki ja vedä ajoneuvon turvavyötä varmistaaksesi, että se on kiristetty. **24 25**

Hartiavyön on kuljettava hartiavyön ohjaimen kautta.

24 -1

Lantiovyön on kuljettava lantiovyön aukkojen kautta.

Parannettua lapsen turvaistuinta ei voi käyttää, jos ajoneuvon turvavyön solki (naaras-solkipää) on liian pitkä parannetun lapsen turvajärjestelmän pitävään ankkurointiin. **24** -2

ÄLÄ KOSKAAN käytä lapsen kiinnittämiseen ajoneuvon 2-pisteturvavyötä (vain sylivyö).

Älä käytä hartiavyötä löysällä tai sijoitettuna käsivarren alle.

ÄLÄ käytä hartiavyötä lapsen selän takana.

Älä anna lapsen liukua alas parannetusta lapsen turvaistuimesta kuristumisen välttämiseksi.

Irrota pehmyttarvikkeet

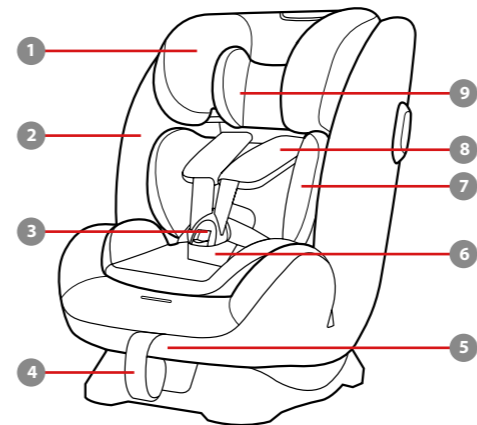
Katso kuvat **26** - **34**

26 Paina punaista painiketta soljen avaamiseksi.

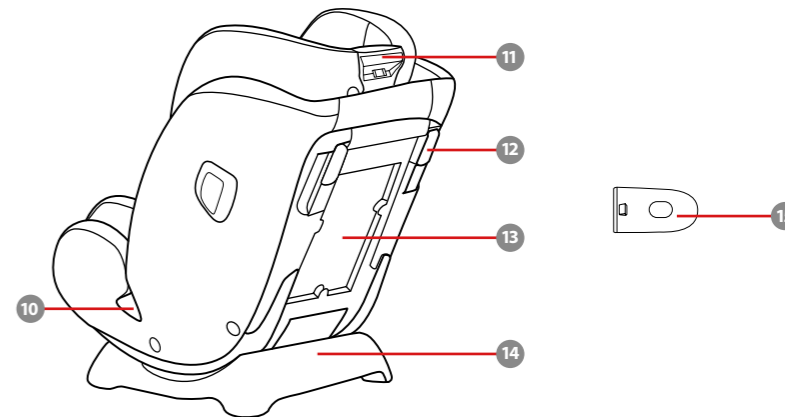
Toimi vaiheiden **27** - **34** mukaisesti irrottaaksesi pehmyttarvikkeet.

Kiinnittääksesi pehmyttarvikkeet takaisin pakoille, toista yllä esitetyt vaiheet käänteisessä järjestyksessä.

Alkatrészek listája



- 1 Fejtámasz
- 2 Ülészék
- 3 Csatlószerkezet
- 4 Hátbeállító heveder
- 5 Döntés állító fogantyú
- 6 Lábak közötti hámszíj borító
- 7 Testtámasz
- 8 Vállhámszíj borító
- 9 Fejtámla párnák
- 10 Gépkocsi csípőöv nyílás
- 11 Fejtámasz állító kar



- 12 Gépkocsi öv lezárása
- 13 Használati utasítás tároló rekesz
- 14 Alap
- 15 Oldalütközés elleni védelem (*csak ajtó oldalán használható)

FONTOS

HASZNÁLAT ELŐTT OLVASSA EL FIGYELMESEN EZEKET AZ UTASÍTÁSOKAT ÉS TARTSA MEG A JÖVŐBENI HASZNÁLATRA. AMENNYIBEN NEM KÖVETI EZEKET AZ UTASÍTÁSOKAT, EZ BEFOLYÁSOLHATJA A GYEREK BIZTONSÁGÁT.

FIGYELEM:
FONTOS, ŐRIZZE MEG A KÉSŐBBIKRE: FIGYELMESEN OLVASSA EL.

LEGYEN elővigyázatos, hogy a kemény elemek és a fejlett gyerekülés rendszer műanyag alkatrészei olyan helyen legyenek szerelve, hogy azokat ne csíphesse be mozgó ülés vagy a gépkocsi ajtója.

NE használja az előrenéző fejlett gyerekülés rendszert olyan üléshelyzetben ahol aktív első légszák van szerelve.

Ahhoz, hogy ezt fejlett gyerekülést az UN 129. számú Szabálynak megfelelően tudja használni, a gyermekének a következő követelményeknek kell megfelelnie.

Hátranéző módban: Gyerek magassága 40cm-105cm / max 22kg

Előrenéző: Gyerek magassága 100cm-145cm / 15 kg - 36kg

Előfordulhat, hogy a fejlett gyermekülés rendszer nem minden jóváhagyott járműbe illeszkedik, ha egyes pozíciókban használják. A részleteket lásd a jóváhagyott tanúsítványt.

Bármely szíjpánt amely a fejlett gyerekülést a gépkocsihoz rögzíti feszített kell legyen, minden szíjpánt amely a gyereket tartja a gyerek testéhez kell legyen igazítva és a szíjpántok ne csavarodjanak meg.

Miután a gyereket a fejlett gyerekülésbe helyezte, a biztonsági övet helyesen kell használni. Bármilyen csípőhámot használjon lent, úgy tegye, hogy a medence szorosan álljon.

A fejlett gyerekülést ki kell cserélni amennyiben az baleset során erős stressznek volt kitéve. Egy baleset okozhat olyan sérülést, amelyet nem láthat.

Vegye figyelembe annak veszélyét, hogy bármilyen módosítást vagy hozzáadást végezzen az eszközön a megfelelő hivatal engedélye nélkül, és annak veszélyét hogy ha nem követi pontosan a szerelési útmutatót,

amelyet a gyerekülés gyártója bocsátott rendelkezésére.

Kérjük tartsa ezt a fejlett gyerekülést távol napsütéstől, mert túlforrósodhat a gyerek bőre számára. Mindig érintse meg a fejlett gyerekülést, mielőtt a gyereket belehelyezné.

SOHA ne hagyja a gyermekét nagy felügyelet nélkül ebben a fejlett gyerekülésben.

Minden csomagot vagy más olyan tárgyat amely ütközés esetén sérülést okozhat, megfelelően rögzíteni kell.

A fejlett gyerekülést NE HASZNÁLJA a puha belsők nélkül.

A puha belsőket nem szabad mással kicserélni, mint a gyártó által ajánlottal, mert a puha belső a gyerekülés szerves része.

Vásárlás előtt kérjük ellenőrizze, hogy a fejlett gyerekülés megfelelően beszerelhető a gépkocsijába.

SEMMLYEN fejlett gyerekülés nem biztosít teljes védelmet egy baleset esetén. Ennek ellenére ennek a fejlett gyerekülésnek megfelelő használata csökkenti a gyerek súlyos sérülésének vagy halálának esélyét.

NE szerelje fel ezt a fejlett gyerekülést

anélkül, hogy követné a jelen kézikönyv utasításait, másképp komoly sérülés vagy halálveszélynek teheti ki a gyermekét.

NE használja ezt a fejlett gyerekülést ha sérült, vagy részei hiányoznak.

NE öltöztesse a gyermekét nagy méretű ruhába, ez megakadályozhatja, hogy , megfelelően bekösse a váll hámszíjakat és a lába közötti övet.

FONTOS - NE HASZNÁLJA EMELŐSZÉK MÓDBAN AMÍG A GYEREK MAGASSÁGA NEM ÉRI EL A 100 CM-T (Lásd az útmutatásokat).

Gondozás és karbantartás

Miután eltávolította a csecsemőbetét habját, kérjük tárolja olyan helyen ahol a gyerek nem fér hozzá.

Kérjük mossa a puha belsőt hideg vízzel 30°C alatt.

Ne vasalja a puha belsőt.

Ne fehéritse vagy ne tisztítsa a puha belsőt.

Ne használjon hígítás nélküli semleges mosószereket benzint vagy más szerves oldószert a gyerekülés

mosására. Ezek károsíthatják a gyerekülést.

Szárításhoz ne csavarja nagy erővel a puha belsőket. Ráncok maradhatnak a puha belsőkön.

Kérjük akassza fel száradni a puha belsőket az árnyékba.

Amennyiben hosszú ideig nem használja a fejlett gyerekülést vagy az alapot, kérjük vegye ki a gépkocsiból. Tegye a fejlett gyerekülést hűvös, száraz helyre, ahol a gyermek nem érheti el.

Tisztítás közben vigyázzon a hámszj csatlóokra.

gracobaby.eu
www.gracobaby.pl

Termékinformáció

Hátranéző mód

1. Ez egy Univerzális Öves Fejlett Gyerekülés Rendszer. Az UN 129. számú Szabványnak megfelelően engedélyezett, elsődleges használata egy univerzális üléspozícióban, ahogy azt a gépkocsi gyártója leírja a használati utasításban.
2. Amennyiben kétsége lenne, tanácskozzon a Fejlett Gyerekülés Rendszer gyártójával vagy eladójával.

Előrenéző mód

1. Ez egy i-Size emelőszék Fejlett Gyerekülés Rendszer. Az UN 129. számú Szabványnak megfelelően engedélyezett elsődleges használata egy i-Size üléspozícióban, ahogy azt a gépkocsi gyártója leírja a használati utasításban.
2. Amennyiben kétsége lenne, tanácskozzon a Fejlett Gyerekülés Rendszer gyártójával vagy eladójával.

Anyag Műanyag, fém, szövet

Szabványszám Szabvány fenntartott

Szerelési útmutatók

lásd a képeket 1 - 3

1 NE szerelje ezt a fejlett gyerekülést olyan gépkocsiülésre, amely oldalra vagy hátra néz a menetirányhoz képest.

Ajánlott, hogy a gyerekülést a hátulsó ülésre szerelje a gépkocsiban.

NE szerelje a gyerekülést olyan ülésre a gépkocsiban, amely mozgatható szerelés közben.

2 NE helyezzen hátranéző gyerekülést a légszákkal ellátott első ülésre, mert ez halált vagy súlyos sérülést okozhat. Bővebb információért lásd a gépkocsi kezelési útmutatóját.

3 Ez a gyermekbiztonsági rendszer csak 3 pontos visszahúzó biztonsági övvel ellátott járműülésekhez alkalmas. NEM szabad ezt a gyermekbiztonsági rendszert övvel ellátott járműülésekre felszerelni.

Használja az oldalsó ütésvédőt

lásd a képeket 4 - 5

4 A fejlett gyerekülést eltávolítható oldalsó ütésvédővel szállítják. Az oldalsó ütésvédőt kötelezően használni kell az ajtó felőli oldalon, utazás közben, a legjobb védelem érdekében.

5 Nyomja meg a kiengedő gombot, hogy eltávolítsa az oldalsó ütésvédelmet.

Döntés állítás

lásd a képeket 6 - 7

6 Nyomja meg a dőlésállító fogantyút és állítsa a fejlett gyerekülést a megfelelő helyzetbe.

7 A dőlési szögek itt láthatók **7** Két dőlési szög van 5-6 hátranéző módban.

Négy dőlési szög van 1-4 előrenéző módban.

Igazítsa össze a felső dőlésjelzőt az alsó számokkal a kívánt döntési pozícióhoz.

Magasság állítása

fejtámasznak és vállhámszójának

lásd a képeket **8** - **10**

8 Amikor hátranéző módban használja, a vállhámszój magassága a gyerek vállával egy vonalban vagy az alatt kell legyen.

Ha a vállhámszójak nincsenek a megfelelő magasságban a gyerek kieshet a fejlett gyerekülésből ha baleset történik.

9 Amikor előrenéző módban használja, a vállhámszój nyílások a gyerek válla fölött vagy legfeljebb egy vonalban kell legyenek.

Kérjük állítsa be a fejtámaszt és a vállhámszóját a helyes magasságba a gyerek magasságának megfelelően.

10 Szorítsa meg a fejtámasz állító fogantyút **10** -1és közben húzza fel vagy nyomja le a fejtámaszt amíg pozíció egyikébe bekattan. A fejtámasz pozíciók itt láthatók **10** -2

A fejtámla felfelé állításával (a 6-9. pozíciótól) a gyermekülés

rendszer oldalai automatikusan kifelé mozdulnak, hogy nagyobb vállteret biztosítsanak.

Hátranéző mód

(Gyerek magassága 40cm-105cm / Gyerek súlya ≤22kg)

lásd a képeket **11** - **21**

Kérjük szerelje a gyerekülést a gépkocsi hátulsó ülésébe, ezután helyezze bele a gyereket.

Telepítés hátranéző módban

Kérjük állítsa a fejlett gyerekülést a megfelelő döntési helyzetbe (2 helyzetet a hátranéző módnak). Igazítsa a felső dőlésjelzőt az egyik alsó fehér számhoz.

Győződjön meg, hogy a vállhámszójak a megfelelő magasságban vannak állítva mielőtt a fejlett gyerekülést felszereli.

Amikor a biztonsági övet szereli és állítja, győződjön meg, hogy a biztonsági vállöv és csípőöv nincs megcsavarodva és az öv megfelelően működik.

11 Vezesse át a jármű övét a jármű övcsatlakozó nyílásain.

12 Ezután csatlakoztassa a jármű csatnyelvét a csatba. A jármű övének át kell haladnia a testtámasz alatt.

13 Húzza a gépkocsi váll övét a két hátranéző gépkocsi övnyílásba a szék keretének hátoldalán.

14 Nyissa ki a záróeszközt és helyezze be rajta keresztül a vállövet.

Győződjön meg, hogy az öv zárja teljesen zárva van amikor nem használják, hogy megelőzze a sérüléseket vagy a gépkocsi kárpitozásának megsértését.

15 A fejlett gyerekülést határozottan nyomja lefele a gépkocsi ülésébe és húzza a gépkocsi váll övét, hogy szorosan és biztosan rögzítse a fejlett gyerekülést.

15 -1 & **15** -2

Győződjön meg, hogy lezárja a zárat miután elkészült a fejlett gyerekülés biztonságos rögzítésével. **15** -3 & **15** -4

Tartsa távol az ujjait amikor bezárja a zárat, hogy elkerülje a sérülést.

A fejlett gyerekülés nem használható ha a gépkocsi biztonsági övének csatja (anya)

túl hosszú ahhoz hogy a fejlett gyerekülést biztonságosan rögzítse.

Ellenőrizze, hogy a fejlett gyerekülést biztonságosan rögzítette és nem mozog a gépkocsi ülésén.

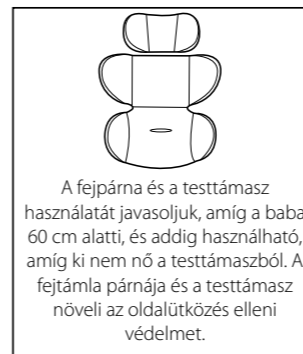
16 A helyesen összerakott gépkocsi biztonsági öv az ábrán látható **16** -1

Győződjön meg, hogy a gépkocsi csípőöv a csípőöv nyíláson halad át. **16** -1

Győződjön meg, hogy a gépkocsi vállöv a hátranéző övnyíláson halad át. **16** -2

A gépkocsi csatjának nyelve helyesen van becsatlakozva amint az ábrán látható **16** -3

A gyermek rögzítése a gyermekbiztonsági rendszerben, a testtámasz és a fejtámla párna használata



A fejpárna és a testtámasz használatát javasoljuk, amíg a baba 60 cm alatti, és addig használható, amíg ki nem nő a testtámaszból. A fejtámla párnája és a testtámasz növeli az oldalütközés elleni védelmet.

17 Miközben nyomva tartja a hámszój állító gombját húzza ki teljesen a fejlett gyerekülés két váll hámszóját.

18 A csat kiengedéséhez nyomja meg a gombot.

19 Rögzítse a csatokat az ülés mindkét oldalán, hogy a gyerek elhelyezése könnyebb legyen.

Helyezze a gyereket a fejlett gyerekülésbe és mindkét kezét fűzze be a hámszójakba.

20 Csatolja be a csatot.

21 Húzza le az állító hálót maga fele és állítsa a megfelelő hosszra, hogy a gyerek biztonságban legyen.

Miután a gyereket elhelyezte, ellenőrizze hogy a vállhámszójak megfelelő magasságban vannak.

Mindig rögzítse a gyereket a hámszójakba és megfelelően szorítsa meg, eltávolítva a lógó részeket.

Előrenéző mód

(Gyerek magassága 100cm-145cm)

lásd a képeket **22** - **25**

Telepítés előrenéző módban

Ha menetirányba néző üzemmódban használja, kérjük, vegye le a testtámaszt, és helyezze a vállheveder hevedereit, a csatot és a csatnyelveket a hevedereket elrejtő tárolórekeszeibe.

A fejtámla párnát aszerint lehet használni, hogy a gyermek feje kényelmesen van-e.

Kérjük állítson a vállpántokon a megfelelő hosszúságra mielőtt tárolja a vállpántokat és csatokat a tárolórekeszekben. **22** -2

Kérjük állítsa a fejlett gyerekülést a kívánt döntési helyzetbe. (4 helyzet az előrenéző módnak). Igazítsa a felső dőlésjelzőt az egyik alsó fehér számhoz.

Miközben a gépkocsi biztonsági övét használja, ellenőrizze, hogy nincs megcsavarodva, ami a gyerek helytelen rögzítését okozhatja.

A csat kiengedéséhez nyomja meg a gombot **18**

Vegye le a lágyékszíjat a képen látható módon **28**, majd a testtartót.

Ha a továbbfejlesztett gyermekbiztonsági rendszert menetirányba néző módban szereli be, ne használja a testtámaszt. A fejtámla párnát aszerint lehet használni, hogy a gyermek feje kényelmesen van-e. Kérjük őrizze meg a lábak között öv fedelét, hogy ne vesszen el.

22 Távolítsa el a gombokat. **22** -1

Emelje fel a felső szárnyát az üléspadnak és húzza előre az alsó szárnyat és tárolja a vállhámokat a tárolórekeszekben. **22** -2

Húzza a csatot át az üléspárna hátoldalára és tárolja a csatot és a csat nyelveit a tárolórekeszben. **22** -3 & **22** -4

23 Illesse vissza a gombokat az ülésparna újbóli betakarásához. A betakart ülésparna az ábrán látható **23**

A gyerek rögzítése a gyerekülésben.

Kérjük ellenőrizze, hogy a gépkocsi vállszíjvezetői a megfelelő magasságban vannak amikor a gyerek a fejlett gyerekülésben van.

- 24** Helyezze a vállszíjat a vállszíjvezetőbe és húzza át a csípőövet a gépkocsi csípő övnyílásán. Zárja be a gépkocsi csatját és húzza meg a gépkocsi övét, hogy meggyőződjön róla hogy szoros. **24 25**

A vállszíjnak a vállszíjvezetőn keresztül kell menni. **24 -1**

A csípőövetnek muszáj a csípőöv vezetőkön keresztül futni.

A fejlett gyerekülés nem használható ha a gépkocsi biztonsági övének csatja (anya) túl hosszú ahhoz hogy a fejlett gyerekülést biztonságosan rögzítse. **24 -2**

SOHA ne használjon 2 pontos biztonsági övet (csak csípőövvel) a gyermek rögzítésére.

NE használja a vállszíjat ha laza vagy ha a gyerek karja alatt van.

NE használja a vállszíjat a gyerek háta mögött.

NE engedje a gyerekek hogy lecsússzon a fejlett gyerekülésben, ez megfojtáshoz vezethet.

A puha belsők eltávolítása

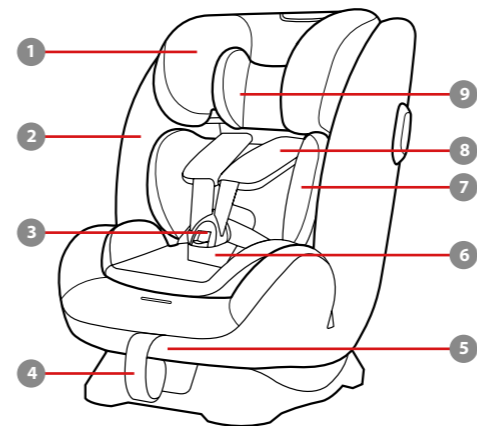
lásd a képeket **26 - 34**

- 26** A csat kiengedéséhez nyomja meg a piros gombot.

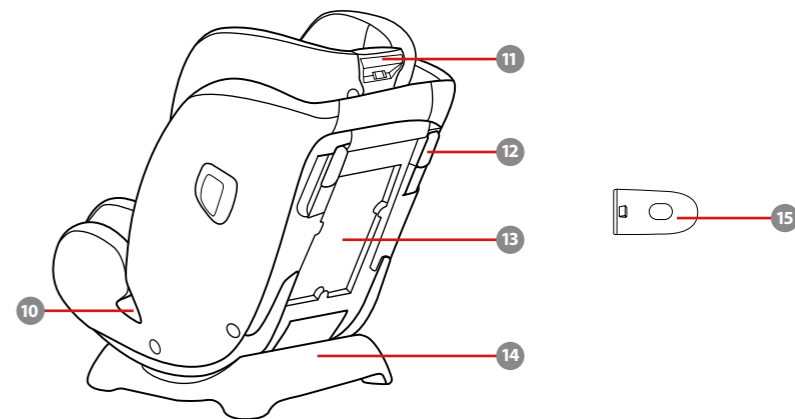
Kövessen az **27 - 34** lépéseket, hogy eltávolítsa a puha belsőket.

A puha belsők újbóli felszereléséhez kérjük ismétlje meg a lépéseket fordított sorrendben.

Lista componentelor



- 1 Suport pentru cap
- 2 Scaun
- 3 Catarama
- 4 Curea de reglare ham
- 5 Mânerul de reglare a înclinării
- 6 Capac pentru hamul pentru coapse
- 7 Suportul pentru corp
- 8 Capace pentru hamul de umăr
- 9 Pernă tetieră
- 10 Fante pentru centura de bazin a vehiculului
- 11 Manetă de reglare a suportului pentru cap



- 12 Dispozitiv de blocare a centurii vehiculului
- 13 Compartimentul de depozitare a manualului de instrucțiuni
- 14 Baza
- 15 Scut de protecție la impact lateral (*trebuie utilizat numai pe partea cu ușa)

IMPORTANT

CITIȚI ACESTE INSTRUCȚIUNI CU ATENȚIE ÎNAINTE DE UTILIZARE ȘI PĂSTRAȚI-LE PENTRU CONSULTARE ULTERIOARĂ. SIGURANȚA COPILULUI POATE FI AFECTATĂ DACĂ NU RESPECTAȚI ACESTE INSTRUCȚIUNI.

⚠️ AVERTISMENT: IMPORTANT, PĂSTRAȚI PENTRU CONSULTARE ULTERIOARĂ: CITIȚI CU ATENȚIE.

AVEȚI GRIJĂ ca articolele rigide și componentele din plastic ale sistemului de siguranță să fie amplasate și instalate astfel încât să nu poată fi prinse de un scaun mobil sau de o ușă a vehiculului.

NU utilizați sistemele de siguranță îmbunătățite pentru copii orientate în spate în raport cu direcția de deplasare a vehiculului în poziții de ședere în care este instalat un airbag frontal.

Pentru a utiliza acest sistem de siguranță îmbunătățit pentru copii în conformitate cu Regulamentul ONU Nr. 129, copilul trebuie să îndeplinească următoarele cerințe.

Cu fața înapoi: Înălțimea copilului 40 cm - 105 cm/max. 22 kg

Cu fața înainte: Înălțimea copilului 100

cm - 145 cm / 15 kg - 36 kg

IMPORTANT - NU UTILIZAȚI PRODUSUL ÎN MODUL SCAUN ÎNĂLȚĂTOR PENTRU COPII CU ÎNĂLȚIMEA SUB 100 CM (consultați instrucțiunile).

Este posibil ca sistemul de siguranță pentru copii să nu se potrivească în toate vehiculele autorizate. Consultați lista de montaj inclusă pentru mai multe detalii.

Orice curele folosite pentru fixarea sistemului de siguranță îmbunătățit în vehicul trebuie să fie bine strânse, orice curele folosite pentru fixarea copilului trebuie să fie ajustate în funcție de corpul copilului și aceste curele nu trebuie să fie răsucite.

După plasați copilul în acest sistem de siguranță îmbunătățit pentru copii, cureaua trebuie utilizată corect. Asigurați-vă că orice curea pentru genunchi este plasată jos, astfel încât pelvisul să fie cuplat ferm, fixat.

Dispozitivul trebuie să fie schimbat dacă a fost supus unor tensiuni violente în caz de accident. Un accident poate cauza daune pe care nu le puteți vedea.

Luați în considerare pericolul de a face modificări sau adăugări la dispozitiv

fără aprobarea autorității competente, cât și pericolul de a nu urmări îndeaproape instrucțiunile de instalare furnizate de producătorul sistemului de siguranță îmbunătățit pentru copii.

Vă rugăm să păstrați acest sistem de siguranță îmbunătățit pentru copii departe de lumina soarelui, în caz contrar poate fi prea fierbinte pentru pielea copilului. Atingeți întotdeauna sistemul de siguranță îmbunătățit pentru copii înainte de a pune copilul în acesta.

NICIODATĂ nu lăsați copilul nesupravegheat cu acest sistem de siguranță îmbunătățit pentru copii.

Orice bagaje sau alte obiecte care ar putea cauza răniri în cazul unui accident trebuie fixate corespunzător.

Sistemul îmbunătățit de siguranță pentru copii NU TREBUIE utilizat fără componentele moi.

Componentele moi nu trebuie să fie înlocuite decât cu cele recomandate de producător, deoarece componentele moi sunt parte integrantă a performanței sistemului de fixare.

Verificați dacă acest sistem îmbunătățit de siguranță pentru copii poate fi

instalat corect în vehiculul dvs. înainte de a-l achiziționa.

NICIUN sistem de siguranță îmbunătățit pentru copii poate garanta protecția completă împotriva rănirii în caz de accident. Cu toate acestea, utilizarea corectă a acestui sistem de siguranță îmbunătățit pentru copii va reduce riscul rănirii grave sau al decesului copilului.

NU instalați acest sistem de siguranță îmbunătățit pentru copii fără a urma instrucțiunile din acest manual sau vă puteți pune copilul într-un pericol grav de rănire sau deces.

NU utilizați acest sistem de siguranță îmbunătățit pentru copii dacă acesta are componente deteriorate sau lipsă.

NU îmbrăcați copilul cu haine largi/ prea mari, deoarece acest lucru poate împiedica fixarea corectă și sigură a copilului de curelele pentru umeri și de cureaua pentru coapse între picioare.

Îngrijire și întreținere

După îndepărtarea penei din inserție, vă rugăm să o depozitați în locuri inaccesibile copilului.

Spălați componentele moi și căptușeala interioară cu apă rece, sub 30°C.

Nu călcați componentele moi.

Nu înălbiți sau nu curățați chimic componentele moi.

Nu utilizați detergenți nediluți, benzină sau alți solvenți organici pentru a spăla sistemul de siguranță pentru copii. Aceasta poate cauza deteriorarea sistemului de siguranță pentru copii.

Nu stoarceți husa scaunului și căptușeala interioară pentru a le usca. Poate lăsa cute în husa scaunului și căptușeala interioară.

Lăsați husa scaunului și căptușeala interioară să se usuce în aer liber, la umbră.

Îndepărtați sistemul de siguranță pentru copii și baza de pe scaunul vehiculului dacă nu le folosiți pentru o perioadă lungă de timp. Puneți sistemul de siguranță pentru copii într-un loc răcoros și uscat și unde copilul nu îl poate accesa.

Nu manipulați conectorii cablajului în timpul curățării.

gracobaby.eu

www.gracobaby.pl

Informații referitoare la produs

Modul de orientare cu spatele

1. Acesta este sistemul universal îmbunătățit de siguranță pentru copii, cu centuri. Este aprobat în conformitate cu Regulamentul ONU nr. 129, pentru utilizare în primul rând în „poziții de ședere universale” conform indicațiilor producătorilor de vehicule din manualul de utilizare a vehiculului.

2. În caz de nelămuriri, consultați fabricantul sau vânzătorul sistemului de siguranță îmbunătățit pentru copii.

Modul cu fața înainte

1. Acesta este scaun înălțător cu sistem de siguranță îmbunătățit pentru copii i-Size. Este aprobat în conformitate cu Regulamentul ONU nr. 129, pentru utilizare în primul rând în „poziții de ședere i-Size” conform indicațiilor producătorilor de vehicule din manualul de utilizare a vehiculului.

2. În caz de nelămuriri, consultați fabricantul sau vânzătorul sistemului de siguranță îmbunătățit pentru copii.

Materiale Plastic, metal, textil

Nr. brevet Brevet în așteptare

Preocupări legate de instalare

Consultați imaginile 1 - 3

1 NU instalați acest sistem de siguranță pentru copii pe scaunele vehiculului care sunt orientate în lateral sau în spate în raport cu direcția de deplasare a vehiculului.

Se recomandă instalarea acestui sistem de siguranță pentru copii pe scaunul din spate al vehiculului.

NU instalați acest sistem de siguranță pentru copii pe scaunele mobile ale vehiculului.

2 NU așezați un sistem de siguranță pentru copii cu spatele la direcția de mers pe scaunul din față cu airbag, deoarece există risc de deces sau vătămare gravă. Consultați manualul de utilizare

al vehiculului pentru mai multe informații.

3 Acest sistem de siguranță pentru copii este adecvat doar pentru scaunele vehiculului dotate cu centură de siguranță retractabilă în 3 puncte.

NU instalați acest sistem de siguranță pentru copii pe scaunele vehiculului doar cu centuri de siguranță pentru bazin.

Utilizați scutul de impact lateral

Consultați imaginile 4 - 5

4 Sistemul de siguranță îmbunătățit pentru copii este livrat cu un scut de impact lateral detașabil. Scutul de impact lateral trebuie utilizat pe ușa vehiculului pentru o protecție optimă.

5 Apăsăți butonul de eliberare pentru a îndepărta protecția de impact lateral.

Reglarea înclinării

Consultați imaginile 6 - 7

- 6** Apăsați mânerul de reglare a înclinării și reglați sistemul de siguranță pentru copii în poziția corectă.
- 7** Unghiurile de înclinare sunt prezentate la **7**. Există două unghiuri de înclinare 5-6 pentru modul orientat înapoi. Există patru unghiuri de înclinare 1-4 pentru modul orientat înainte. Aliniați indicatorul de înclinare de sus cu numerele de jos pentru poziția de înclinare dorită.

Reglarea înălțimii pentru suportul pentru cap și hamurile de umăr

Consultați imaginile **8** - **10**

- 8** Atunci când sunt utilizate în modul orientat spre spate, fantele hamurilor pentru umeri trebuie să fie chiar la nivel sau imediat sub umerii copilului. În cazul în care hamurile pentru umeri nu sunt la înălțimea corespunzătoare, copilul poate fi aruncat din sistemul de siguranță atunci când are loc un accident.

- 9** Când sunt utilizate în modul orientat înainte, ghidajele curelelor de umăr trebuie să fie chiar la nivel sau imediat deasupra umerilor copilului.

Vă rugăm să reglați suportul capului și hamurile pentru umeri la înălțimea corespunzătoare în funcție de înălțimea copilului.

- 10** Trageți maneta de reglare a suportului pentru cap **10** -1, în timp ce trageți în sus sau împingeți în jos suportul pentru cap până când se fixează în una dintre cele 8 poziții. Pozițiile suportului pentru cap sunt prezentate la **10** -2.

Pe măsură ce tetiera este reglată (din poziția a 6-a la a 9-a), părțile laterale ale scaunului se deplasează automat spre exterior pentru a oferi mai mult spațiu pentru umeri.

Modul de orientare cu spatele

Înălțimea cuprinsă între 40 cm - 105 cm/max. 22 kg)

Consultați imaginile **11** - **21**

Vă rugăm să instalați sistemul de siguranță pentru copii pe scaunul din spate al vehiculului, apoi puneți copilul în sistemul de siguranță pentru copii.

Instalare pentru modul orientat spre spate

Reglați sistemul de siguranță pentru copii în poziția de înclinare dorită (2 poziții pentru modul orientat spre spate). Aliniați indicatorul de înclinare de sus cu unul dintre numerele albe de jos.

Asigurați-vă că hamul pentru umeri este reglat la înălțimea corespunzătoare înainte de a instala acest sistem de siguranță pentru copii.

Când instalați și reglați centurile de siguranță, asigurați-vă că centura de umăr și cea de talie nu sunt răsucite și nu vor împiedica funcționarea corectă a centurilor de siguranță.

- 11** Treceți centura de talie a vehiculului prin fanta sa.
- 12** Cuplați limba cataramii vehiculului cu catarama.

Centura vehiculului trebuie să treacă pe sub suportul pentru

corp.

- 13** Treceți centura pentru umăr a vehiculului prin cele două fante ale centurii vehiculului din spatele sistemului îmbunătățit de siguranță pentru copii.

- 14** Deschideți blocarea centurii și introduceți centura pentru umăr prin aceasta.

Asigurați-vă că blocarea centurii este complet închisă atunci când nu este utilizată pentru a preveni rănirea sau deteriorarea tapițeriei vehiculului.

- 15** Apăsați ferm sistemul de siguranță pentru copii și trageți cureaua pentru umăr a vehiculului pentru a fixa bine sistemul de siguranță pentru copii. **15** -1 & **15** -2

Asigurați-vă că ați închis blocarea după ce ați terminat de verificat dacă sistemul îmbunătățit de siguranță pentru copii este fixat bine. **15** -3 & **15** -4

Țineți degetele departe atunci când închideți clemele de blocare pentru a evita rănirea.

Sistemul îmbunătățit de siguranță pentru copii nu poate fi utilizat dacă catarama centurii de

siguranță a vehiculului (capătul cataramii mamă) este prea lungă pentru a ancora fix sistemul de siguranță pentru copii.

Verificați din nou dacă sistemul de siguranță pentru copii este instalat în siguranță și nu se mișcă pe scaunul vehiculului.

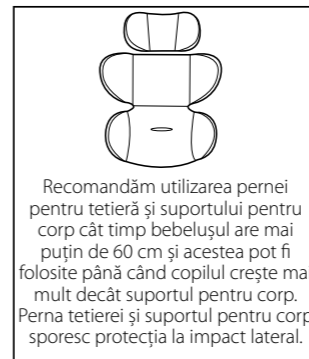
- 16** Centura vehiculului montată corect este indicată la **16**

Asigurați-vă că centura de bazinul vehiculului trece prin fanta centurii de bazin a vehiculului. **16** -1

Asigurați-vă că centura de umăr a vehiculului trece prin fanta pentru centura vehiculului orientată spre spate. **16** -2

Limba cataramii vehiculului este cuplată corect cu catarama, conform **16** -3

Fixarea copilului în sistemul de siguranță pentru copii Utilizarea suportului pentru corp și pernei pentru tetieră



Recomandăm utilizarea pernei pentru tetieră și suportului pentru corp cât timp bebelușul are mai puțin de 60 cm și acestea pot fi folosite până când copilul crește mai mult decât suportul pentru corp. Perna tetierei și suportul pentru corp sporesc protecția la impact lateral.

- 17** În timp ce apăsați butonul de reglare a hamului, trageți complet cele două hamuri pentru umeri ale sistemului de siguranță îmbunătățit pentru copii.

- 18** Apăsați butonul pentru a dezactiva catarama.

- 19** Fixați cataramele de pe ambele părți ale scaunului pentru o comoditate sporită a plasării copilului.

Așezați copilul în sistemul de siguranță îmbunătățit pentru copii și treceți ambele brațe ale copilului prin hamuri.

- 20** Cuplați catarama.

- 21** Trageți de chinga de reglaj către dvs. pentru a o regla la lungimea corespunzătoare și asigurați-vă că copilul dvs. este bine fixat.

După ce copilul este așezat, verificați din nou dacă hamurile pentru umeri sunt la înălțimea corespunzătoare.

Mențineți întotdeauna copilul fixat în ham și strâns în mod corespunzător prin îndepărtarea oricărui joc.

Modul cu față înainte

(Înălțimea cuprinsă între 100 cm - 145 cm)

Consultați imaginile **22** - **25** Instalare pentru modul orientat spre înainte

Când utilizați modul orientat înainte, vă rugăm să îndepărtați suportul pentru corp și să așezați curelele, catarama și limbile cataramii pentru ham în compartimentele de depozitare mascate pentru ham.

Perna tetierei poate fi folosită pentru confortul capului copilului.

Vă rugăm să reglați hamurile pentru umeri la lungimea corespunzătoare înainte de a depozita curelele și catarama în compartimentele lor de depozitare.

Reglați sistemul îmbunătățit de siguranță pentru copii în poziția dorită de înclinare. (4 poziții pentru modul orientat înainte). Aliniați indicatorul de înclinare de sus cu unul dintre numerele albe de jos.

În timp ce utilizați și reglați centura de siguranță a vehiculului, verificați dacă nu există răsuciri în centura de siguranță a vehiculului care ar putea determina fixarea incorectă a copilului dvs.

Apăsăți butonul pentru a decupla catarama, conform **18**

Îndepărtați cureaua pentru picioare, conform **28** și apoi suportul pentru corp.

La instalarea sistemului de siguranță pentru copii în modul orientat înainte, nu utilizați inserția pentru confort. Perna tetierei poate fi folosită pentru confortul capului copilului.

Păstrați bine capacul centurii picioarelor, pentru a evita pierderea.

22 Desprindeți capsele. **22** -1

Ridicați clapeta superioară în sus și trageți clapeta inferioară în față, apoi depozitați curelele pentru umeri în compartimentele lor de depozitare. **22** -2

Trageți catarama în partea din spate a pernei scaunului și apoi depozitați catarama și limbile cataramei în compartimentele de

depozitare respective. **22** -3 & **22** -4

23 Reatașați capsele pentru a recupera perna scaunului. Căptușeala scaunului recuperată este indicată ca **23**

Fixarea copilului în sistemul de siguranță pentru copii

Verificați dacă ghidajele curelei de umăr ale vehiculului sunt la înălțimea corespunzătoare atunci când copilul se află în sistemul îmbunătățit de siguranță pentru copii.

24 Poziționați centura de umăr prin ghidajul centurii de umăr și treceți centura de bazin prin fantele centurii de bazin a vehiculului. Cuplați catarama vehiculului și trage centura vehiculului pentru a vă asigura că este strânsă. **24** **25**

Centura de umăr trebuie să treacă prin ghidajul centurii de umăr. **24** -1

Centura pentru bazin trebuie să treacă prin fantele centurii de bazin.

Sistemul îmbunătățit de siguranță pentru copii nu poate fi utilizat dacă catarama centurii de

siguranță a vehiculului (capătul cataramei mamă) este prea lungă pentru a ancora fix sistemul de siguranță pentru copii. **24** -2

NICIODATĂ nu folosiți o centură în 2 puncte (numai cureaua de bazin) pentru a asigura copilul.

NU folosiți centura de umăr prea largă sau poziționată sub braț.

NU folosiți centura de umăr în spatele copilului.

NU lăsați copilul să alunece în sistemul de siguranță pentru copii, pericol de strangulare.

Demontarea părților moi

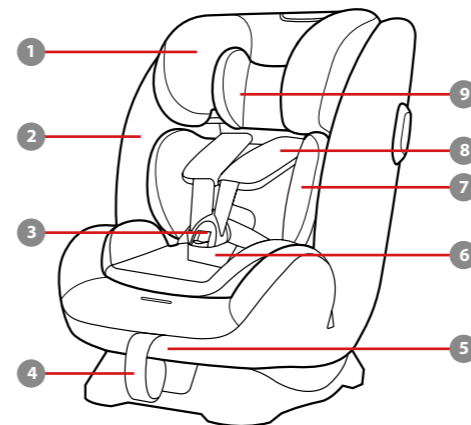
Consultați imaginile **26** - **34**

26 Apăsăți butonul de culoare roșie pentru a decupla catarama.

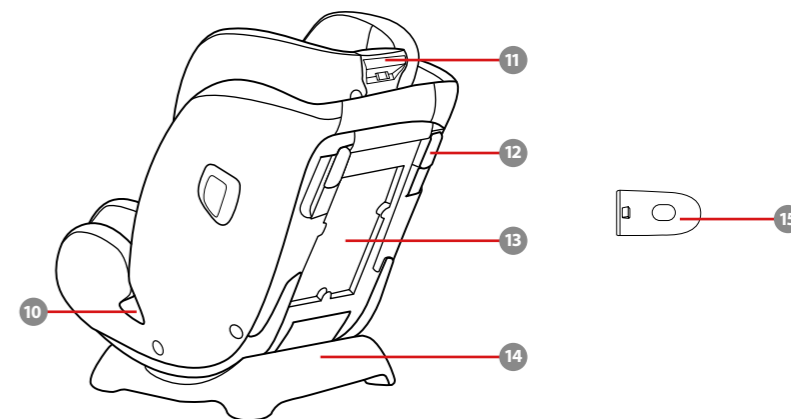
Urmați pașii **27** - **34** pentru a detașa componentele moi.

Pentru a reatașa componentele moi, vă rugăm repetați pașii de mai sus în ordine inversă.

Κατάλογος εξαρτημάτων



- 1** Στήριγμα κεφαλιού
- 2** Κάθισμα
- 3** Πόρπη
- 4** Ιμάντας ρύθμισης
- 5** Λαβή ρύθμισης ανάκλισης
- 6** Κάλυμμα ιμάντα καβάλου
- 7** Στήριγμα σώματος
- 8** Καλύμματα ιμάντων ώμου
- 9** Μαξιλάρι στηρίγματος κεφαλιού
- 10** Οπές ζώνης μέσης οχήματος
- 11** Μοχλός ρύθμισης στηρίγματος κεφαλιού



- 12** Αποδέσμευση ζώνης ασφαλείας οχήματος
- 13** Αποθηκευτικός θάλαμος εγχειριδίου οδηγίων
- 14** Βάση
- 15** Μαξιλάρι προστασίας πλευρικής σύγκρουσης (*για χρήση μόνο στην πλευρά της πόρτας του οχήματος)

ΣΗΜΑΝΤΙΚΟ

ΔΙΑΒΑΣΤΕ ΠΡΟΣΕΚΤΙΚΑ ΑΥΤΕΣ ΤΙΣ ΟΔΗΓΙΕΣ ΠΡΙΝ ΑΠΟ ΤΗ ΧΡΗΣΗ ΚΑΙ ΦΥΛΑΞΤΕ ΤΙΣ ΓΙΑ ΜΕΛΛΟΝΤΙΚΗ ΧΡΗΣΗ. ΑΝ ΔΕΝ ΑΚΟΛΟΥΘΗΣΑΤΕ ΑΥΤΕΣ ΤΙΣ ΟΔΗΓΙΕΣ, ΕΝΔΕΧΕΤΑΙ ΝΑ ΤΘΕΙ ΣΕ ΚΙΝΔΥΝΟ Η ΑΣΦΑΛΕΙΑ ΤΟΥ ΠΑΙΔΙΟΥ ΣΑΣ.

▲ ΠΡΟΕΙΔΟΠΟΙΗΣΗ:
ΣΗΜΑΝΤΙΚΟ, ΦΥΛΑΞΤΕ ΤΙΣ ΟΔΗΓΙΕΣ ΓΙΑ ΜΕΛΛΟΝΤΙΚΗ ΧΡΗΣΗ: ΔΙΑΒΑΣΤΕ ΠΡΟΣΕΚΤΙΚΑ.

ΦΡΟΝΤΙΣΤΕ ώστε τα άκαμπτα αντικείμενα και τα πλαστικά μέρη του ενισχυμένου παιδικού καθίσματος ασφαλείας να τοποθετηθούν και να εγκατασταθούν με τρόπο που να μην είναι δυνατόν να παγιδευτούν από ένα κινούμενο κάθισμα ή την πόρτα του οχήματος.

ΜΗΝ χρησιμοποιείτε το παιδικό κάθισμα στραμμένο προς τα πίσω σε καθίσματα οχημάτων όπου υπάρχει εγκατεστημένος ενεργός μπροστινός αερόσακος.

Για να χρησιμοποιήσετε αυτό το παιδικό κάθισμα ασφαλείας σύμφωνα με τον Κανονισμό 129 του ΟΗΕ, το παιδί σας θα πρέπει να πληροί τις ακόλουθες προϋποθέσεις.

Κάθισμα στραμμένο προς τα πίσω: Ύψος παιδιού 40-105 εκ. / έως 22 κιλά

Κάθισμα στραμμένο προς τα μπροστά: Ύψος παιδιού 100-145 εκ. / 15 - 36 κιλά

Το ενισχυμένο παιδικό κάθισμα ασφαλείας μπορεί να μην ταιριάζει σε όλα τα εγκεκριμένα οχήματα όταν χρησιμοποιείται σε ορισμένες από τις θέσεις. Για περισσότερες λεπτομέρειες, ανατρέξτε στο εγκεκριμένο πιστοποιητικό.

Οι ιμάντες που συγκρατούν το ενισχυμένο παιδικό κάθισμα ασφαλείας στο όχημα πρέπει να είναι σφιχτοί, ενώ οι ιμάντες που συγκρατούν το παιδί πρέπει να προσαρμίζονται στο σώμα του παιδιού και δεν πρέπει να συστρέφονται.

Αφού τοποθετήσετε το παιδί σας σε αυτό το ενισχυμένο παιδικό κάθισμα ασφαλείας, η ζώνη ασφαλείας πρέπει να χρησιμοποιηθεί σωστά. Βεβαιωθείτε ότι κάθε ιμάντας μέσης φοριέται χαμηλά, έτσι ώστε η λεκάνη να συγκρατείται σταθερά σε περίπτωση καταπόνησης.

Αυτό το ενισχυμένο κάθισμα πρέπει να αντικαθίσταται αν έχει υποστεί έντονη καταπόνηση σε περίπτωση ατυχήματος. Ένα ατύχημα μπορεί να

προκαλέσει βλάβη που δεν μπορείτε να δείτε.

Αναλογιστείτε τους κινδύνους τυχόν τροποποιήσεων ή προσθηκών στο κάθισμα χωρίς την έγκριση της αρμόδιας αρχής, καθώς και τον κίνδυνο της μη τήρησης των οδηγιών εγκατάστασης που παρέχονται από τον κατασκευαστή του καθίσματος ασφαλείας.

Προστατέψτε το ενισχυμένο παιδικό κάθισμα ασφαλείας από ηλιακό φως, διαφορετικά ενδέχεται να είναι πολύ ζεστό για την επιδερμίδα του παιδιού. Ελέγχετε πάντα τη θερμοκρασία του καθίσματος πριν τοποθετήσετε το παιδί μέσα σε αυτό.

Μην αφήνετε ΠΟΤΕ το παιδί σας χωρίς επίβλεψη με το συγκεκριμένο ενισχυμένο παιδικό κάθισμα ασφαλείας.

Τυχόν αποσκευές ή άλλα αντικείμενα που μπορούν να προκαλέσουν τραυματισμούς σε περίπτωση σύγκρουσης, θα πρέπει να ασφαλιζονται κατάλληλα.

Το σύστημα ενισχυμένου παιδικού καθίσματος ασφαλείας ΔΕΝ ΠΡΕΠΕΙ ΝΑ ΧΡΗΣΙΜΟΠΟΙΕΙΤΑΙ χωρίς τα υφασμάτινα στοιχεία.

Τα υφασμάτινα στοιχεία δεν πρέπει να αντικαθίστανται από οποιαδήποτε άλλα, εκτός από εκείνα που προτείνονται από τον κατασκευαστή, καθώς τα υφασμάτινα στοιχεία αποτελούν αναπόσπαστο μέρος της απόδοσης του παιδικού καθίσματος ασφαλείας.

Πριν την αγορά, ελέγξτε εάν αυτό το ενισχυμένο παιδικό κάθισμα ασφαλείας μπορεί να εγκατασταθεί σωστά στο όχημά σας.

ΚΑΝΕΝΑ παιδικό κάθισμα ασφαλείας δεν μπορεί να εγγυηθεί πλήρη προστασία από τραυματισμούς σε περίπτωση ατυχήματος. Η ορθή ωστόσο χρήση του συγκεκριμένου παιδικού καθίσματος ασφαλείας θα μειώσει τον κίνδυνο σοβαρού τραυματισμού ή θανάτου για το παιδί σας.

ΜΗΝ εγκαταστήσετε ή χρησιμοποιήσετε αυτό το παιδικό κάθισμα ασφαλείας χωρίς να ακολουθήσετε τις οδηγίες σε αυτό το εγχειρίδιο, διαφορετικά ενδέχεται να θέσετε το παιδί σας σε σοβαρό κίνδυνο τραυματισμού ή θανάτου.

ΜΗΝ χρησιμοποιήσετε το συγκεκριμένο παιδικό κάθισμα ασφαλείας σε περίπτωση που έχει

υποστεί φθορά ή του λείπουν εξαρτήματα.

ΜΗΝ φοράτε στο παιδί σας μεγάλα/ υπερμεγέθη ρούχα, καθώς αυτό μπορεί να εμποδίσει τη , σωστή ασφάλιση του παιδιού σας με τους ιμάντες ώμων και τον ιμάντα του καβάλου.

ΣΗΜΑΝΤΙΚΟ - ΝΑ ΜΗΝ ΧΡΗΣΙΜΟΠΟΙΕΙΤΑΙ ΣΕ ΛΕΙΤΟΥΡΓΙΑ BOOSTER ΠΡΙΝ ΤΟ ΎΨΟΣ ΤΟΥ ΠΑΙΔΙΟΥ ΞΕΠΕΡΑΣΕΙ ΤΑ 100 ΕΚ. (Ανατρέξτε στις οδηγίες).

Φροντίδα και συντήρηση

Αφού αφαιρέσετε τον αφρώδες υλικό του ενθέματος βρέφους, αποθηκεύστε το σε σημείο όπου δεν έχει πρόσβαση το παιδί.

Πλένετε τα υφασμάτινα στοιχεία με κρύο νερό κάτω από τους 30°C.

Μη σιδερώνετε τα υφασμάτινα στοιχεία.

Μη χρησιμοποιείτε λευκαντικό ή υποβάλετε σε στεγνό καθάρισμα τα υφασμάτινα στοιχεία.

Μην χρησιμοποιείτε αδιάλυτα ουδέτερα απορρυπαντικά, βενζίνη ή

άλλους οργανικούς διαλύτες για να πλύνετε το παιδικό κάθισμα ασφαλείας. Ενδέχεται να προκαλέσουν φθορά στο παιδικό κάθισμα ασφαλείας.

Μη στρίβετε με μεγάλη δύναμη τα υφασμάτινα στοιχεία για να στεγνώσουν. Μπορεί να προκληθούν ζάρες στα υφασμάτινα στοιχεία.

Κρεμάστε στη σκιά τα υφασμάτινα στοιχεία για να στεγνώσουν.

Αφαιρέστε το παιδικό κάθισμα ασφαλείας και τη βάση από το κάθισμα του οχήματος αν δεν πρόκειται να χρησιμοποιηθεί για μεγάλο χρονικό διάστημα. Τοποθετήστε το παιδικό κάθισμα ασφαλείας σε δροσερό, ξηρό χώρο και σε σημείο στο οποίο δεν έχει πρόσβαση το παιδί σας.

Μην πειράζετε τους συνδέσμους ιμάντα κατά τον καθαρισμό.

gracobaby.eu
www.gracobaby.pl

Πληροφορίες προϊόντος

Κάθισμα στραμμένο προς τα πίσω

1. Το συγκεκριμένο κάθισμα αποτελεί Γενικό παιδικό κάθισμα ασφαλείας με ζώνη. Έχει εγκριθεί σύμφωνα με τον Κανονισμό 129 του ΟΗΕ, για χρήση κυρίως σε «Θέσεις καθίσματος τύπου Universal» όπως υποδηλώνεται από τους κατασκευαστές του οχήματος στο εγχειρίδιο χρήστη του οχήματος.

2. Σε περίπτωση αμφιβολίας, συμβουλευτείτε τον κατασκευαστή του παιδικού καθίσματος ασφαλείας ή τον λιανοπωλητή.

Κάθισμα στραμμένο προς τα μπροστά

1. Το προϊόν αποτελεί σύστημα ενισχυμένου παιδικού καθίσματος ασφαλείας i-Size τύπου booster. Έχει εγκριθεί σύμφωνα με τον Κανονισμό 129 του ΟΗΕ, για χρήση κυρίως στις «Θέσεις καθίσματος i-Size» όπως υποδηλώνεται από τους

κατασκευαστές του οχήματος στο εγχειρίδιο χρήστη του οχήματος.

2. Σε περίπτωση αμφιβολίας, συμβουλευτείτε τον κατασκευαστή του παιδικού καθίσματος ασφαλείας ή τον λιανοπωλητή.

Υλικά Πλαστικά, μέταλλο, υφάσματα

Αριθμός ευρεσιτεχνίας

Διπλώματα ευρεσιτεχνίας σε εκκρεμότητα

Σημεία προσοχής κατά την εγκατάσταση

Δείτε τις εικόνες **1** - **3**

1 ΜΗΝ εγκαταστήσετε το συγκεκριμένο παιδικό κάθισμα ασφαλείας σε καθίσματα οχημάτων που κοιτούν στο πλάι ή προς τα πίσω αναφορικά με την κατεύθυνση κίνησης του οχήματος.

Προτείνεται η εγκατάσταση του συγκεκριμένου παιδικού καθίσματος ασφαλείας στα πίσω

κάθισμα οχημάτων.

MHN εγκαταστήσετε το συγκεκριμένο παιδικό κάθισμα ασφαλείας σε καθίσματα οχημάτων που μετακινούνται κατά την εγκατάσταση.

2 MHN τοποθετείτε παιδικό κάθισμα ασφαλείας στραμμένο προς τα πίσω σε μπροστινό κάθισμα με αερόσακο, καθώς ενδέχεται να προκληθεί θάνατος ή σοβαρός τραυματισμός. Για περισσότερες πληροφορίες, ανατρέξτε στο εγχειρίδιο ιδιοκτήτη του οχήματος.

3 Αυτό το παιδικό κάθισμα ασφαλείας είναι κατάλληλο μόνο για καθίσματα οχημάτων με ζώνη ασφαλείας 3 σημείων.

MHN εγκαθιστάτε αυτό το παιδικό κάθισμα ασφαλείας σε καθίσματα οχημάτων με ζώνες μέσης.

Χρήση προστασίας από πλευρική σύγκρουση

Δείτε τις εικόνες **4** - **5**

4 Το ενισχυμένο παιδικό κάθισμα ασφαλείας παρέχεται με

αφαιρούμενη προστασία από πλευρική σύγκρουση. Αυτή η προστασία από πλευρική σύγκρουση πρέπει να χρησιμοποιείται όταν το κάθισμα εγκαθίσταται στην πλευρά της πόρτας του οχήματος για βέλτιστη προστασία.

5 Πατήστε το κουμπί αποδέσμευσης για να αφαιρέσετε την προστασία από πλευρική σύγκρουση.

Ρύθμιση ανάκλισης

Δείτε τις εικόνες **6** - **7**

6 Πατήστε το κουμπί ρύθμισης ανάκλισης και προσαρμόστε το παιδικό κάθισμα ασφαλείας στην κατάλληλη θέση.

7 Οι γωνίες ανάκλισης παρουσιάζονται στην **7**

Υπάρχουν δύο γωνίες ανάκλισης, 5-6, όταν το κάθισμα είναι στραμμένο προς τα πίσω.

Υπάρχουν τέσσερις γωνίες ανάκλισης, 1-4, όταν το κάθισμα είναι στραμμένο προς τα μπροστά.

Ευθυγραμμίστε την ένδειξη κορυφαίας κλίσης με τους κατώτερους αριθμούς για την

επιθυμητή θέση ανάκλισης.

Ρύθμιση ύψους για το στήριγμα κεφαλιού και τους ιμάντες ώμων

Δείτε τις εικόνες **8** - **10**

8 Όταν χρησιμοποιείτε το κάθισμα στραμμένο προς τα πίσω, το ύψος των ιμάντων ώμων πρέπει να είναι στο ίδιο επίπεδο ή λίγο πιο χαμηλά από τους ώμους του παιδιού.

Εάν οι ιμάντες ώμου δεν βρίσκονται στο σωστό ύψος, το παιδί ενδέχεται να εκτιναχθεί από το κάθισμα ασφαλείας σε περίπτωση ατυχήματος.

9 Όταν χρησιμοποιείτε το κάθισμα στραμμένο προς τα μπροστά, οι οδηγιοί ιμάντων ώμου πρέπει να είναι στο ίδιο επίπεδο ή λίγο πιο πάνω από τους ώμους του παιδιού.

Ρυθμίστε το στήριγμα κεφαλιού και τους ιμάντες ώμου στο σωστό ύψος ανάλογα με το ύψος του παιδιού.

10 Πιέστε τον μοχλό ρύθμισης του στηρίγματος κεφαλιού **10**-1, σηκώνοντας ταυτόχρονα προς

τα πάνω ή σπρώχνοντας προς τα κάτω το στήριγμα κεφαλιού μέχρι αυτό να κουμπώσει σε μία θέση. Οι θέσεις του στηρίγματος κεφαλιού εμφανίζονται στην εικόνα **10**-2

Καθώς το στήριγμα κεφαλιού ρυθμίζεται προς τα πάνω (από την 6η έως την 9η θέση), οι πλευρές του στηρίγματος κινούνται αυτόματα προς τα έξω για να παρέχουν περισσότερο χώρο για τους ώμους.

Κάθισμα στραμμένο προς τα πίσω

(Ύψος παιδιού 40-105 εκ. / Βάρος παιδιού ≤ 22 κιλά)

Δείτε τις εικόνες **11** - **21**

Εγκαταστήστε το κάθισμα ασφαλείας στο πίσω κάθισμα του οχήματος και έπειτα τοποθετήστε το παιδί στο παιδικό κάθισμα ασφαλείας.

Εγκατάσταση καθίσματος στραμμένο προς τα πίσω

Ρυθμίστε το παιδικό κάθισμα ασφαλείας στην επιθυμητή θέση κλίσης (2 θέσεις όταν το κάθισμα

είναι στραμμένο προς τα πίσω). Ευθυγραμμίστε την ένδειξη κορυφαίας κλίσης με έναν από τους κάτω λευκούς αριθμούς.

Βεβαιωθείτε ότι οι ιμάντες ώμου έχουν ρυθμιστεί στο σωστό ύψος πριν την τοποθέτηση του καθίσματος ασφαλείας.

Κατά την εγκατάσταση και την προσαρμογή των ζωνών ασφαλείας, βεβαιωθείτε ότι η ζώνη ώμου και η ζώνη μέσης δεν έχουν συστραφεί εμποδίζοντας τις ζώνες ασφαλείας να λειτουργούν σωστά.

11 Περάστε τη ζώνη μέσης του οχήματος από τις υποδοχές της ζώνης μέσης του οχήματος.

12 Στη συνέχεια ασφαλίστε τη γλωττίδα της πόρπης του οχήματος στην πόρπη.

Η ζώνη μέσης του οχήματος πρέπει να περάσει κάτω από το στήριγμα σώματος.

13 Περάστε τη ζώνη ώμου ανάμεσα στις δύο οπές ζώνης οχήματος στο πίσω μέρος του παιδικού καθίσματος ασφαλείας.

14 Ανοίξτε τη συσκευή ασφάλισης ζώνης και περάστε τη ζώνη ώμου μέσα από αυτήν.

Βεβαιωθείτε ότι η συσκευή ασφάλισης ζώνης είναι εντελώς κλειστή όταν δεν είναι σε χρήση για την αποφυγή τραυματισμού ή πρόκλησης ζημιάς στην ταπεσαρία του οχήματος.

15 Πιέστε σταθερά το παιδικό κάθισμα ασφαλείας και τραβήξτε τη ζώνη ώμου του οχήματος για να δέσετε με ασφάλεια το παιδικό κάθισμα. **15** -1 & **15** -2 Βεβαιωθείτε ότι έχετε κλείσει την ασφάλεια αφού ελέγξετε ότι το παιδικό κάθισμα ασφαλείας έχει τοποθετηθεί σωστά.

15 -3 & **15** -4

Κρατήστε τα δάχτυλά σας μακριά όταν κλείνετε τα κλιπ ασφαλείας για να αποφύγετε τραυματισμούς.

Το παιδικό κάθισμα ασφαλείας δεν μπορεί να χρησιμοποιηθεί εάν η πόρπη της ζώνης ασφαλείας του οχήματος (θηλυκό άκρο πόρπης) είναι πάρα πολύ μακριά για να συγκρατήσει με ασφάλεια το παιδικό κάθισμα ασφαλείας.

Βεβαιωθείτε ότι το παιδικό κάθισμα ασφαλείας έχει εγκατασταθεί με ασφάλεια και ότι δεν κινείται στο κάθισμα του οχήματος.

16 Η σωστή τοποθέτηση της ζώνης ασφαλείας του οχήματος παρουσιάζεται στην εικόνα **16**

Βεβαιωθείτε ότι η ζώνη μέσης του οχήματος περνάει από την σπή της ζώνης μέσης του οχήματος.

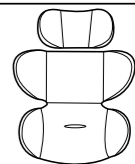
16 -1

Βεβαιωθείτε ότι ο ιμάντας ώμου του οχήματος περνάει από την υποδοχή ζώνης οχήματος με το κάθισμα στραμμένο προς τα πίσω.

16 -2

Η πόρπη της ζώνης του οχήματος έχει ασφαλίσει σωστά όπως παρουσιάζεται στην εικόνα **16** -3

Ασφάλιση του παιδιού στο παιδικό κάθισμα ασφαλείας Χρήση στηρίγματος σώματος και μαξιλαριού στηρίγματος κεφαλιού



Συνιστούμε τη χρήση του μαξιλαριού του στηρίγματος κεφαλιού και του στηρίγματος σώματος για όσο χρόνο το μωρό είναι κάτω από 60 εκ. ή έως ότου ξεπεράσει το στήριγμα σώματος. Το μαξιλάρι του στηρίγματος κεφαλιού και το στήριγμα σώματος αυξάνουν την προστασία από πλευρικές προσκρούσεις.

17 Ενώ πιέζετε το κουμπί ρύθμισης των ιμάντων, τραβήξτε πλήρως τους δύο ιμάντες ώμου του ενισχυμένου καθίσματος ασφαλείας.

18 Πατήστε το κουμπί για να αποδεσμεύσετε την πόρπη.

19 Στερεώστε τις πόρπες και στις δύο πλευρές του καθίσματος για να διευκολύνετε την τοποθέτηση του μωρού.

Τοποθετήστε το παιδί στο κάθισμα ασφαλείας και περάστε αμφοτέρωτα τα χέρια μέσα από τους ιμάντες.

20 Κουμπώστε την πόρπη.

21 Τραβήξτε τον ιμάντα ρύθμισης προς το μέρος σας και προσαρμόστε τον στο σωστό μήκος για να εξασφαλίσετε ότι το παιδί σας έχει τοποθετηθεί με ασφάλεια και άνεση.

Όταν το παιδί έχει καθίσει, ελέγξτε ξανά εάν οι ιμάντες ώμων βρίσκονται στο σωστό ύψος.

Να κρατάτε πάντοτε το παιδί ασφαλισμένο στους ιμάντες και να το σφίγγετε σωστά ρυθμίζοντας τυχόν χαλάρωση.

Κάθισμα στραμμένο προς τα μπροστά

(Ύψος παιδιού 100-145 εκ.)

Δείτε τις εικόνες **22** - **25**

Εγκατάσταση καθίσματος στραμμένο προς τα μπροστά

Όταν χρησιμοποιείτε το κάθισμα στραμμένο προς τα μπροστά, παρακαλούμε αφαιρέστε το στήριγμα σώματος και τοποθετήστε τους ιμάντες ώμου, την πόρπη και τις γλωττίδες της πόρπης στους θαλάμους αποθήκευσης.

Μπορείτε να χρησιμοποιήσετε το μαξιλάρι του στηρίγματος κεφαλιού εάν το παιδί κάθεται πιο άνετα.

Παρακαλούμε προσαρμόστε τους ιμάντες ώμου στο σωστό μήκος πριν φυλάξετε τους ιμάντες ώμου και την πόρπη στους αποθηκευτικούς τους θαλάμους.

Ρυθμίστε το παιδικό κάθισμα ασφαλείας στην επιθυμητή θέση κλίσης. (4 θέσεις για τοποθέτηση του καθίσματος στραμμένο προς τα μπροστά). Ευθυγραμμίστε την ένδειξη κορυφαίας κλίσης με έναν

από τους κάτω λευκούς αριθμούς. Κατά τη χρήση και τη ρύθμιση της ζώνης ασφαλείας του οχήματος, βεβαιωθείτε ότι δεν υπάρχουν συστροφές στη ζώνη ασφαλείας του οχήματος που θα μπορούσαν να προκαλέσουν εσφαλμένη ασφάλιση του παιδιού σας.

Πατήστε το κουμπί για να αποδεσμεύσετε την πόρπη όπως παρουσιάζεται στην εικόνα **18**

Αφαιρέστε τον ιμάντα καβάλου όπως παρουσιάζεται στην εικόνα **28** και, στη συνέχεια, το στήριγμα σώματος.

Κατά την εγκατάσταση του παιδικού καθίσματος ασφαλείας με το παιδί να κοιτάζει προς τα μπροστά, μη χρησιμοποιείτε το στήριγμα σώματος. Μπορείτε να χρησιμοποιήσετε το μαξιλάρι του στηρίγματος κεφαλιού εάν το παιδί κάθεται πιο άνετα.

Φυλάξτε το κάλυμμα του καβάλου για να μην το χάσετε.

22 Αποσυνδέστε τις ασφάλειες. **22** -1

Σηκώστε το επάνω πτερύγιο προς τα πάνω και τραβήξτε το κάτω πτερύγιο προς τα μπροστά,

και στη συνέχεια αποθηκεύστε τους ιμάντες ώμου στους αποθηκευτικούς τους θαλάμους.

22 -2

Τραβήξτε την πόρπη στο πίσω μέρος του μαξιλαριού του καθίσματος και, στη συνέχεια, αποθηκεύστε την πόρπη στα αντίστοιχα διαμερίσματα αποθήκευσης. **22** -3 & **22** -4

23 Επανασυνδέστε τα κουμπώματα για να επανατοποθετήσετε το μαξιλάρι καθίσματος. Το τοποθετημένο μαξιλάρι καθίσματος παρουσιάζεται στην εικόνα **23**

Ασφαλής τοποθέτηση του παιδιού στο παιδικό κάθισμα ασφαλείας

Ελέγξτε αν οι οδηγοί της ζώνης ώμου του οχήματος έχουν το σωστό ύψος όταν το παιδί βρίσκεται στο παιδικό κάθισμα ασφαλείας.

24 Τοποθετήστε τη ζώνη ώμου μέσα από τον οδηγό ιμάντα ώμου και περάστε τη ζώνη μέσης μέσα από τις οπές της ζώνης μέσης του οχήματος. Κουμπώστε την πόρπη του οχήματος και τραβήξτε

τη ζώνη του οχήματος για να βεβαιωθείτε ότι είναι σφιγμένη.

24 **25**

Η ζώνη ώμου πρέπει να περνά μέσω του οδηγού ζώνης ώμου.

24 -1

Η ζώνη μέσης πρέπει να περάσει μέσα από τους οδηγούς ζώνης μέσης.

Το παιδικό κάθισμα ασφαλείας δεν μπορεί να χρησιμοποιηθεί εάν η πόρπη της ζώνης ασφαλείας του οχήματος (θηλυκό άκρο πόρπης) είναι πάρα πολύ μακριά για να συγκρατηθεί με ασφάλεια το παιδικό κάθισμα ασφαλείας.

24 -2

ΠΟΤΕ μην χρησιμοποιείτε ζώνη αυτοκινήτου 2 σημείων (ζώνη μέσης) για να ασφαλίσετε το παιδί σας.

ΜΗΝ χρησιμοποιείτε τη ζώνη ώμου χαλαρή ή τοποθετημένη κάτω από το χέρι.

ΜΗΝ χρησιμοποιείτε τη ζώνη ώμου πίσω από την πλάτη του παιδιού.

Μην αφήνετε το παιδί να γλιστρήσει προς τα κάτω στο παιδικό κάθισμα ασφαλείας,

καθώς υπάρχει κίνδυνος στραγγαλισμού.

Αφαίρεση μαλακών στοιχείων

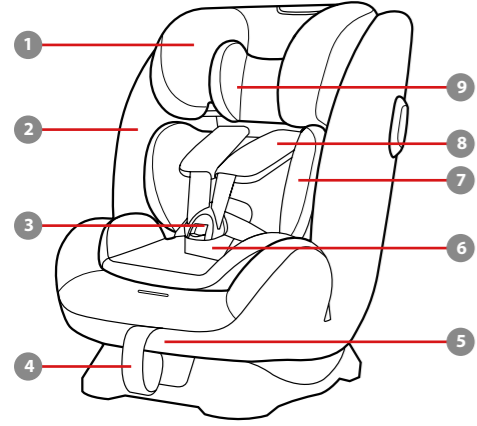
Δείτε τις εικόνες **26** - **34**

26 Πατήστε το κόκκινο κουμπί για να αποδεσμεύσετε την πόρπη.

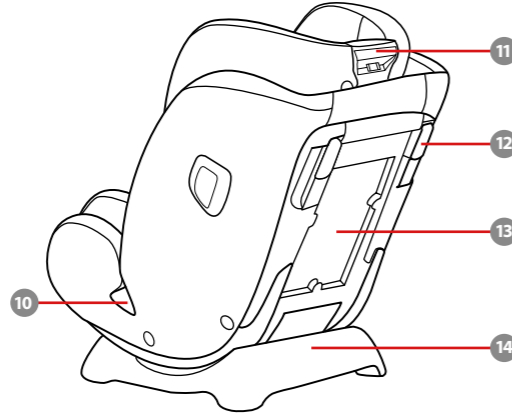
Ακολουθήστε τα βήματα **27** - **34** για να αφαιρέσετε τα υφασμάτινα στοιχεία.

Για να προσαρτήσετε πάλι τα μαλακά στοιχεία επαναλάβετε τα παραπάνω βήματα με αντίστροφη σειρά.

Parça Listesi



- 1 Baş Desteği
- 2 Koltuk
- 3 Toka
- 4 Kayış Ayarlama Kemer
- 5 Eğim Ayar Tutma Yeri
- 6 Kasık Kayışı Kılıfı
- 7 Gövde Desteği
- 8 Omuz Kayışı Kılıfları
- 9 Koltuk Başlığı Yastığı
- 10 Araç Bel Kemer Yuvaları
- 11 Kafa Desteği Ayar Kolu



- 12 Araç Kemer Kilidi
- 13 Kullanım Kılavuzu Saklama Bölmesi
- 14 Taban
- 15 Yan Darbe Koruması Göbeği
(*Yalnız kapı tarafında kullanılmalıdır)



15

ÖNEMLİ

ÜRÜNÜ KULLANMADAN ÖNCE BU TALİMATLARI DİKKATLİCE OKUYUN VE İLERİDE BAŞVURMAK İÇİN SAKLAYIN. BU TALİMATLARA UYMAMANIZ HALİNDE ÇOCUĞUNUZUN GÜVENLİĞİ ETKİLENEBİLİR.

UYARI:
ÖNEMLİ, İLERİDE BAŞVURMAK İÇİN SAKLAYIN: DİKKATLİCE OKUYUN.

Geliştirilmiş çocuk koltuğu sisteminin sert ve plastik parçalarının, hareketli bir koltuğa veya aracın bir kapısına sıkışmayacak şekilde yerleştirilip monte edilmeleri gerektiğine DİKKAT EDİN.

Arkaya bakan geliştirilmiş çocuk koltuğu sistemlerini, aktif öne bakan hava yastığı takılı iken KULLANMAYIN.

Bu geliştirilmiş çocuk koltuğunu 129 No'lu BM Yönetmeliğine göre kullanmak için çocuğunuzun aşağıdaki gereklilikleri karşılaması gerekir.

Arkaya Dönük: Çocuğun boyu 40cm-105cm/en fazla 22kg

Öne Dönük: Çocuğun boyu 100cm - 145cm / 15kg - 36kg

Geliştirilmiş çocuk koltuğu, bazı konumlarda kullanıldığında onaylı tüm araçlara sığmayabilir. Ayrıntılı bilgi için

lütfe onaylı sertifikaya bakın.

Geliştirilmiş çocuk koltuğunu araca bağlayan tüm kemeler sıkı olmalıdır; çocuğu tutan kemeler çocuğun gövdesine göre ayarlanmalı ve kemeler bükülmemelidir.

Çocuğunuz bu geliştirilmiş çocuk koltuğuna yerleştirildikten sonra, güvenlik kemeri doğru biçimde kullanılmalıdır. Herhangi bir kucak kemerinin alttan takıldığından emin olun, böylece kalça kemiği sağlam bir şekilde takılmalıdır.

Bir kazada şiddetli zorlanmalara maruz kaldığında bu geliştirilmiş çocuk koltuğu değiştirilmelidir. Bir kaza, üzerlerinde göremeyebileceğiniz hasara neden olabilir.

Yetkili makamın onayı olmadan cihazda herhangi bir değişiklik veya ekleme yapılması ve geliştirilmiş çocuk koltuğu üreticisi tarafından sağlanan montaj talimatlarının tam olarak yerine getirilmemesi durumlarında ortaya çıkabilecek tehlikeleri dikkate alın.

Lütfe bu geliştirilmiş çocuk koltuğunu güneş altında bırakmayın; aksi durumda çocuğun cildi için çok ısınabilir. Çocuğu içine yerleştirmeden önce geliştirilmiş çocuk koltuğunu

mutlaka dokunarak kontrol edin.

Çocuğunuzu, bu geliştirilmiş çocuk koltuğunda asla gözetimsiz bırakmayın.

Çarpışma durumunda yaralanmalara neden olabilecek herhangi bir bavul veya diğer nesnelere uygun biçimde sabitlenmelidir.

Geliştirilmiş çocuk koltuğu sistemi, tekstil malzemeleri olmadan KULLANILMAMALIDIR.

Koltuk performansının önemli bir parçasını oluşturdıklarından, tekstil malzemeleri üretici firmanın önerdiği dışındakilerle değiştirilmemelidir.

Lütfe satın almadan önce bu gelişmiş çocuk koltuğunun aracınıza doğru şekilde takılıp takılmadığını kontrol edin.

Hiçbir geliştirilmiş çocuk koltuğu bir kazada yaralanmaya karşı tam koruma garanti edemez. Ancak bu geliştirilmiş çocuk koltuğunun doğru kullanılması, çocuğunuzun ciddi yaralanma veya ölüm riskini azaltacaktır.

Bu geliştirilmiş çocuk koltuğunu bu kılavuzdaki talimatları dikkate almadan kurmayın; aksi durumda çocuğunuzu ciddi yaralanma veya ölüm riski altına

sokabilirsiniz.

Hasarlı veya eksik parçaları varsa bu geliştirilmiş çocuk koltuğunu kullanmayın.

Omuz kayışları ve bacaklar arasındaki kasık kayışıyla doğru ve güvenli biçimde bağlanmasını engelleyebileceğinden, çocuğunuzun geniş/büyük beden kıyafetler GİYDİRMEYİN.

ÖNEMLİ - ÇOCUĞUN BOYU 100CM'DEN FAZLA OLMADIĞI YÜKSELTİCİ MODUNDA KULLANMAYIN (Talimatlara bakın).

Bakım ve Koruma

Bebek eklentisinin köpüğünü çıkardıktan sonra lütfe çocuğun erişemeyeceği bir yerde saklayın.

Lütfe tekstil malzemelerini 30°C'nin altındaki soğuk suyla yıkayın.

Tekstil malzemeleri ütülenmeyin.

Tekstil malzemelerinde ağartıcı kullanmayın veya kuru temizlemeye vermeyin.

Çocuk koltuğunu yıkamak için seyreltilmemiş doğal deterjan, benzin veya diğer organik çözücülerini

kullanmayın. Bu işlem çocuk koltuğuna zarar verebilir.

Fazla kuvvet uygulayarak kurutmak için tekstil malzemelerini bükmeyin. Tekstil malzemelerinde kırışıklık bırakabilir.

Lütfen tekstil malzemelerini gölgede asılı olarak kurutun.

Uzun bir süre kullanılmayacağına, geliştirilmiş çocuk koltuğunu ve tabanı aracın koltuğundan çıkarın. Geliştirilmiş çocuk koltuğunu çocuğunuzun erişemeyeceği serin ve kuru bir yere koyun.

Temizleme esnasında, kayış bağlayıcılara dokunmayın.

gracobaby.eu
www.gracobaby.pl

Ürün Bilgisi

Arkaya Bakan Mod

1. Bu Kemerli bir Geliştirilmiş Çocuk Koltuğu Sistemidir. 129 numaralı BM Yönetmeliğine göre, temel olarak aracın kullanım kılavuzunda araç üreticisi tarafından belirtilen “Evrensel koltuk pozisyonlarında” kullanım için onaylanmıştır.
2. Şüphe duyulması durumunda Geliştirilmiş Çocuk Koltuğu Sisteminin üreticisine veya bayisine danışın.

İleriye bakan mod

1. Bu bir i-Size yükseltici koltuklu Geliştirilmiş Çocuk Koltuğu Sistemidir. 129 numaralı BM Yönetmeliğine göre, temel olarak aracın kullanım kılavuzunda araç üreticisi tarafından belirtilen “i-Size koltuk pozisyonlarında” kullanım için onaylanmıştır.
2. Şüphe duyulması durumunda Geliştirilmiş Çocuk Koltuğu Sisteminin üreticisine veya bayisine danışın.

Malzemeler Plastik, Metal, Kumaş

Patent No. Patentler beklemededir

Montajda Dikkat Edilecek Noktalar

Bkz. şekil 1 - 3

1 Bu çocuk koltuğunu aracın hareket yönüne göre yana veya arkaya bakan araç koltuklarına TAKMAYIN.

Bu çocuk koltuğunun arka araç koltuğuna takılması önerilir.

Bu çocuk koltuğunu kurulum sırasında hareket edebilen araç koltuklarına KURMAYIN.

2 Arkaya dönük çocuk koltuğunu hava yastıklı ön koltuğa YERLEŞTİRMEYİN; ölüm veya ciddi yaralanma meydana gelebilir. Daha fazla bilgi için lütfen aracın kullanım kılavuzuna başvurun.

3 Bu çocuk koltuğu, yalnızca 3 noktalı Geri Sarmalı Emniyet Kemerini bulanan araç koltukları için uygundur.

Bu çocuk koltuğunu Kucak Kemerli araç koltuklarına KURMAYIN.

Yan Darbe Korumasını Kullanma

Bkz. şekil 4 - 5

4 Geliştirilmiş çocuk koltuğu, çıkarılabilir yan darbe koruması ile birlikte teslim edilir. Bu yan darbe koruması en iyi koruma için aracın kapı tarafında kullanılmalıdır.

5 Yan darbe korumasını çıkarmak için serbest bırakma düğmesine basın.

Yatırma Ayarı

Bkz. şekil 6 - 7

6 Yatırma ayarı koluna bastırıp, geliştirilmiş çocuk koltuğunu uygun konuma ayarlayın.

7 Yatırma açıları şurada gösterilmektedir: 7

Arkaya bakan mod için 5-6 arasında iki yatırma açısı vardır.

İleriye bakan mod için 1-4 arasında dört yatırma açısı vardır.

İstenen yatırma pozisyonu için üst yatırma göstergesini alttaki sayılarla hizalayın.

Kafa Desteği ve Omuz Kemerini için Yükseklik Ayarı

Bkz. şekil 8 - 10

8 Arkaya bakan modda kullanılırken, omuz askısı yüksekliği, çocuğun omuzlarının üst kısmıyla eşit veya hemen altında olmalıdır.

Omuz kayışları uygun yükseklikte değilse, bir kaza durumunda çocuk geliştirilmiş çocuk koltuğundan fırlayabilir.

9 İleriye bakan modda kullanılırken, omuz kemeri kılavuzları çocuğun omuzlarıyla eşit düzeyde veya omuzların hemen üstünde olmalıdır.

Lütfen baş desteğini ve omuz kayışını çocuğun boyuna göre uygun yüksekliğe ayarlayın.

10 Baş desteği ayar kolunu 10 -1 sıkın, bu arada baş desteğini tek bir konuma oturana kadar yukarı çekin veya aşağı itin. Kafa desteği konumları 10 -2 ile gösterildiği gibidir.

Kafa desteği yukarı ayarlandığında (6-9. konumdan), çocuk

koltuğunun yanları daha fazla omuz alanı sağlamak üzere otomatik olarak dışarı doğru hareket eder.

Arkaya Bakan Mod (Çocuğun boyu 40cm-105cm/ Çocuğun kilosu ≤ 22kg)

Bkz. şekil 11 - 21

Lütfen çocuk koltuğunu aracın arka koltuğuna monte edip ardından çocuğu çocuk koltuğuna yerleştirin.

Arkaya Bakan Mod için Kurulum

Lütfen gelişmiş çocuk koltuğunu istediğiniz yaslanma konumuna ayarlayın (arkaya bakan mod için 2 konum). Üst yatırma göstergesini alttaki beyaz sayılardan biriyle hizalayın.

Bu geliştirilmiş çocuk koltuğunu monte etmeden önce omuz kayışının uygun yüksekliğe ayarlandığından emin olun.

Emniyet kemerlerini takarken ve ayarlarken, omuz kemerinin ve

kucak kemerinin her ikisinin de bükülmediğinden ve emniyet kemerlerinin doğru çalışmasını engellemeyeceğinden emin olun.

11 Araç kucak kemerini araç kucak kemeri yuvalarından geçirin.

12 Ardından araç toka dilini tokaya geçirin.

Araç kucak kemeri, Gövde Desteğinin altından geçmelidir.

13 Araç omuz kemerini, geliştirilmiş çocuk koltuğunun arkasındaki arkaya bakan iki araç kemeri yuvasından geçirin.

14 Kemer kilidini açın ve omuz kemerini içinden geçirin.

Yaralanma veya araç döşemesinde hasar oluşmasını önlemek için, kullanılmadığında kayış kilidinin tamamen kapalı olduğundan emin olun.

15 Geliştirilmiş çocuk koltuğunu güvenli bir şekilde sabitlemek için geliştirilmiş çocuk koltuğunu sıkıca aşağı bastırın ve araç omuz kemerini çekin. 15 -1 & 15 -2

Geliştirilmiş çocuk koltuğunun güvenli bir şekilde takıldığını kontrol ettikten sonra kilidi kapattığınızdan emin olun.

15 -3 & 15 -4

Yaralanmaları önlemek için kilitleme klipslerini kapatırken parmaklarınızı uzak tutun.

Araç güvenlik kemeri tokası (dış toka ucu) geliştirilmiş çocuk koltuğunu güvenli biçimde bağlamak için çok uzunsuz geliştirilmiş çocuk koltuğu kullanılamaz.

Geliştirilmiş çocuk koltuğunun güvenli bir şekilde takıldığını ve araç koltuğunda hareket etmediğini iki kez kontrol edin.

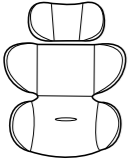
16 Doğru biçimde takılmış emniyet kemeri ile gösterilmektedir 16

Araç bel kemerinin araç bel kemeri yuvasından geçtiğinden emin olun. 16 -1

Araç bel kemerinin arkaya bakan araç kemeri yuvasından geçtiğinden emin olun. 16 -2

Araç tokasının dili tokaya doğru bir şekilde takılır, bkz. 16 -3

Çocuğunuzu Çocuk Koltuğuna Sabitlemek İçin Vücut Desteği ve Koltuk Başlığı Yastığı Kullanın



Bebek 60 cm'nin altındayken koltuk başlığı yastığı ve vücut desteği kullanmanızı öneririz ve bunlar çocuk vücut desteğini geçecek kadar büyüyene dek kullanılabilir. Koltuk başlığı yastığı ve vücut desteği, yan darbe korumasını artırır.

- 17 Kayış ayarlama düğmesine basarken, geliştirilmiş çocuk koltuğunun iki omuz kayışını tamamen çekin.
- 18 Tokayı çıkarmak için düğmeye basın.
- 19 Bebeği yerleştirmeyi kolaylaştırmak için, koltuğun her iki tarafındaki tokaları tutturun. Çocuğu geliştirilmiş çocuk koltuğuna yerleştirip her iki kolu kemerlerden geçirin.
- 20 Tokayı takın.
- 21 Uygun uzunluğa ayarlamak için ayar kayışını kendinize doğru çekin ve çocuğunuzun tamamen sabitlendiğinden emin olun. Çocuk oturtulduktan sonra, omuz kayışlarının doğru yükseklikte olup olmadığını tekrar kontrol edin. Çocuğu her zaman kemerde sabit ve gevşeklikler giderilerek uygun biçimde sıkıştırılmış şekilde tutun.

İleriye bakan mod

(Çocuğun boyu 100cm-145cm)

Bkz. şekil 22 - 25

İleriye Bakan Mod için Montaj

Öne dönük modda kullanırken, lütfen vücut desteğini çıkarın ve omuz askısı kayışlarını, toka ve toka dillerini emniyet kemeri saklama bölmelerine yerleştirin.

Çocuğun başının rahat olup olmamasına göre koltuk başlığı yastığı kullanılabilir.

Omuz kayışlarını ve tokayı ilgili bölmelerde saklamadan önce lütfen omuz kayışlarını uygun uzunluğa ayarlayın.

Lütfen geliştirilmiş çocuk koltuğunu istediğiniz yatırma konumuna ayarlayın. (İleriye bakan mod için 4 pozisyon). Üst yatırma göstergesini alttaki beyaz sayılardan biriyle hizalayın.

Araç emniyet kemeri kullanırken ve ayarlarken, araç emniyet kemeri çocukunuzun hatalı şekilde bağlanmasına neden olabilecek bükülmeler olup

olmadığını kontrol edin.

Tokayı çıkarmak için şekildeki gibi düğmeye basın. 18

Kasık kayışını 28 ile gösterildiği şekilde çıkarın, ardından gövde desteğini çıkarın.

Geliştirilmiş çocuk koltuğunu öne dönük modda monte ederken gövde desteğini kullanmayın. Çocuğun başının rahat olup olmamasına göre koltuk başlığı yastığı kullanılabilir.

Kaybolmasını önlemek için lütfen kasık kemeri kapağını iyi tutun.

22 Kopçaları ayırın. 22 -1

Üst kanadı yukarı doğru kaldırın ve alt kanadı ileri doğru çekin, ardından omuz kayışlarını bölmelerine saklayın. 22 -2

Tokayı koltuk altlığının arkasına çekip, tokayı ve toka dillerini ilgili bölmelerinde saklayın. 22 -3 & 22 -4

23 Koltuk altlığını düzeltmek için kopçaları geri takın. Yerine yerleştirilmiş koltuk altlığı 23

Çocuğunuzu çocuk koltuğuna sabitleme

Lütfen çocuk geliştirilmiş çocuk koltuğundayken araç omuz kemeri kılavuzlarının uygun yükseklikte olup olmadığını kontrol edin.

24 Omuz kemeri omuz kemeri kılavuzundan geçirin ve bel kemeri aracın bel kemeri yuvalarından geçirin. Araç tokasını takın ve sıkıldığından emin olmak için araç kayışını çekin. 24 25

Omuz kemeri, omuz kemeri kılavuzundan geçmelidir. 24 -1

Bel kemeri, bel kemeri yuvasından geçmelidir.

Araç güvenlik kemeri tokası (dişi toka ucu) geliştirilmiş çocuk koltuğunu güvenli biçimde bağlamak için çok uzunsu geliştirilmiş çocuk koltuğu kullanılamaz. 24 -2

Çocuğunuzu emniyete almak için ASLA 2 noktalı araç kemeri (yalnızca kucak kemeri) kullanmayın.

Omuz kemeri gevşek durumda veya kolun altında konumlandırılmış şekilde KULLANMAYIN.

Omuz kemeri çocuğun sırt kısmında KULLANMAYIN.

Boğulma tehlikesi açısından, geliştirilmiş çocuğun çocuk koltuğunda aşağı kaymasına izin VERMEYİN.

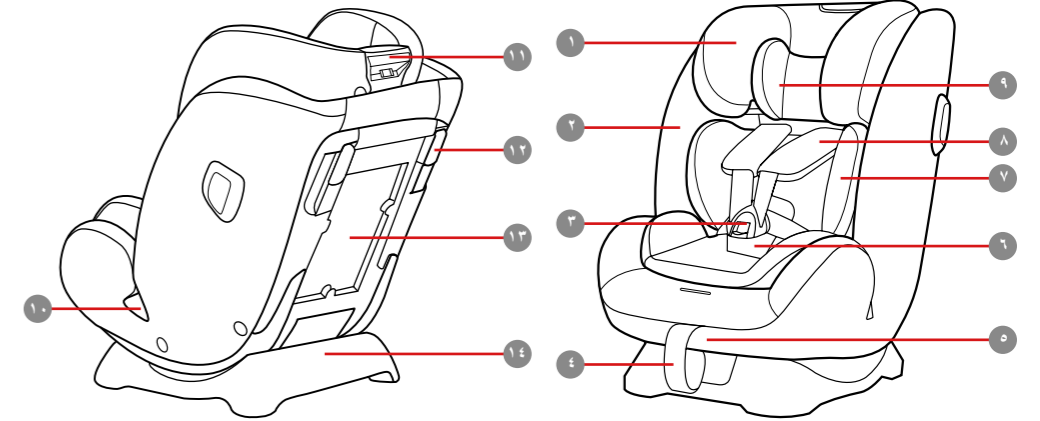
Tekstil Malzemelerini Ayırma

Bkz. şekil 26 - 34

26 Tokayı çıkarmak için kırmızı düğmeye basın.

Tekstil malzemelerini ayırmak için 27 - 34 arası adımları izleyin.

Tekstil malzemelerini tekrar takmak için lütfen yukarıdaki adımları ters yönde izleyin.



- ١ مسند الرأس
- ٢ المقعد
- ٣ إبزيم
- ٤ شريط ضبط مجموعة الأحزمة
- ٥ مقبض ضبط الإمالة
- ٦ غطاء الحزام المفروق للساقين
- ٧ مسند الجسم
- ٨ أغطية مجموعة أحزمة الكتف
- ٩ وسادة مسند الرأس
- ١٠ فتحات حزام الفخذ بمقعد السيارة
- ١١ ذراع ضبط مسند الرأس
- ١٢ قفل حزام مقعد السيارة
- ١٣ حجيبة تخزين دليل التعليمات
- ١٤ القاعدة
- ١٥ طرف الحماية من الصدمات الجانبية (* يجب استخدامه في جانب الباب فقط)



- ١٢ قفل حزام مقعد السيارة
- ١٣ حجيبة تخزين دليل التعليمات
- ١٤ القاعدة
- ١٥ طرف الحماية من الصدمات الجانبية (* يجب استخدامه في جانب الباب فقط)

مهم

احرص على قراءة هذه التعليمات بعناية قبل استخدام المنتج وقم بالاحتفاظ بها للرجوع إليها في المستقبل. قد يؤثر عدم اتباع هذه التعليمات على سلامة طفلك.

⚠ تحذير:

هام: احتفظ بهذا الدليل للرجوع إليه في المستقبل. اقرأه بعناية.

توخّ العناية عند وضع العناصر الصلبة والأجزاء البلاستيكية وتركيبها في النظام المطوّر لتقييد حركة الطفل بحيث لا تكون عرضة للاحتجاز في مقعد متحرك أو في باب السيارة.

لا تستخدم الأنظمة المطوّرة لتقييد حركة الطفل المواجهة للخلف في أوضاع جلوس تكون فيها الوسادة الهوائية الأمامية نشطة.

لاستخدم هذا النظام المطوّر لتقييد حركة الطفل وفقاً للاتحة الأمم المتحدة رقم ١٢٩، يجب أن تتوفر في طفلك الشروط التالية.

المواجهة للخلف: طول الطفل من ٤٠ إلى ١٠٥ سم/الوزن الأقصى للطفل ٢٢ كجم

المواجهة للأمام: طول الطفل من ١٠٠ إلى ١٤٥ سم/وزن الطفل من ١٥ إلى ٣٦ كجم

مهم - لا تستخدم وضع المقعد الداعم قبل أن يتجاوز طول الطفل ١٠٠ سم (راجع التعليمات).

قد لا يصلح نظام تقييد حركة الطفل المطوّر لجميع المركبات المعتمدة. يرجى الرجوع إلى قائمة مواضع التركيب المرفقة للاطلاع على مزيد من التفاصيل.

يجب أن تكون أي أحزمة داعمة لنظام تقييد حركة الطفل المطور مربوطة بإحكام بحيث يجب ضبط أي أحزمة مثبتة للطفل وفقاً لجسمه ويجب ألا تكون تلك الأحزمة ملتوية.

بعد وضع الطفل في هذا النظام المطوّر لتقييد حركة الطفل، يجب استخدام حزام الأمان بشكل صحيح. احرص على شد وتثبيت حزام الفخذ عند مستوي منخفض، بحيث يتم ربطه بإحكام على الحوض.

يتعين استبدال هذا النظام المطوّر بعد تعرضه لضغوط عنيفة في حادث. فقد تتسبب الحوادث في إلحاق أضرار به ولا يمكن رؤيتها.

انتبه إلى خطر إجراء أي تعديلات أو إضافات للجهاز بدون موافقة السلطة المختصة، وخطر عدم اتباع تعليمات التركيب بحذافيرها المقدمة من قبل جهة تصنيع هذا النظام المطوّر.

الرجاء الاحتفاظ بهذا النظام المطوّر بعيداً عن أشعة الشمس؛ وإلا، فقد يسخن للغاية ويضر ببشرة الطفل. واحرص دائماً على اختبار المقعد المطوّر باللمس قبل وضع الطفل بداخله.

يحظر ترك الطفل في هذا المقعد المطور دون مراقبة.

يجب إحكام تثبيت أي أمتعة أو أي أشياء أخرى قد تحدث إصابات في حالة حدوث تصادم.

لا يُستخدم النظام المطوّر بدون الأجزاء اللينة.

يتعين عدم استبدال الأجزاء اللينة بأي أشياء أخرى بخلاف الموصى بها من قبل المصنّع حيث إن القطع اللينة (المنسوجات) تتشكّل جزءاً لا يتجزأ من أداء هذا المقعد الداعم.

يرجى التحقق من إمكانية تركيب النظام المطوّر بشكل سليم في السيارة قبل شرائه.

ليس هناك أي نظام تقييد حركة طفل مطوّر يضمن الحماية الكاملة عند وقوع حادث. لكن الاستخدام السليم لهذا النظام المطوّر من شأنه تقليل خطر تعرض طفلك لإصابة جسيمة أو الوفاة.

تجنب تركيب نظام تقييد حركة الطفل المطوّر هذا دون اتباع التعليمات الواردة في هذا الدليل؛ وإلا، فقد تعرض طفلك لخطر الإصابة الجسيمة أو الوفاة.

لا تستخدم هذا النظام المطوّر إذا كان تالفًا أو به أجزاء مفقودة.

لا تلبس طفلك ملابس واسعة/كبيرة الحجم؛ لأن هذا قد يحول دون تثبيت الطفل بشكل سليم ومحكم بواسطة أشرطة مجموعة أحزمة الكتف وحزام مفروق الساقين.

العناية والصيانة

بعد إزالة المادة الرغوية من الوليجة، الرجاء تخزينها في مكان لا يستطيع الطفل الوصول إليه.

الرجاء غسل غطاء المقعد والبطانة الداخلية بماء بارد عند درجة حرارة أقل من ٣٠ درجة.

تجنب كي القطع اللينة.

لا تستخدم مادة تبيض أثناء غسل القطع اللينة، وتجنب التنظيف الجاف.

لا تستخدم المنظفات غير المخففة أو البنزين أو المذيبات العضوية الأخرى لغسل المقعد. قد يؤدي عدم الالتزام بذلك إلى تلف نظام تقييد حركة الطفل

لا تعصر غطاء المقعد والحشو الداخلي لتجفيفهما، وإلا، فقد تتكون تجاعيد في الغطاء والبطانة.

الرجاء تجفيف الغطاء والبطانة بتعليقهما في منشور.

يُرجى نزع مقعد الطفل وقاعدته من مقعد السيارة إذا كنت تنوي عدم استخدامهما لفترة زمنية طويلة. ضع مقعد الطفل في مكان بارد وجاف يصعب على طفلك الوصول إليه.

لا تعبت بوصلات الحزام أثناء التنظيف.

gracobaby.eu
www.gracobaby.pl

معلومات المنتج وضع المواجهة للخلف

١- هذا نظام عام مطور بأحزمة لتقييد حركة الطفل، ومعمد وفقاً لللائحة الأمم المتحدة رقم ١٢٩ للاستخدام أساساً في "وضعية مقاعد السيارة المتوافقة مع الفئة العامة (Universal)" كما هو موضح من قبل مصنعي السيارات في دليل استخدام السيارة.

٢- إذا ساورك شك، فاستشر مصنع المقعد المطور أو الموزع.

وضع المواجهة للأمام

١- هذا نظام مطور مزود بمقعد داعم من فئة i-Size لتقييد حركة الطفل، ومعمد وفقاً لللائحة الأمم المتحدة رقم ١٢٩ للاستخدام أساساً في "وضعية مقاعد السيارة المتوافقة مع الفئة i-Size" كما هو موضح من قبل مصنعي السيارات في دليل استخدام السيارة.

٢- إذا ساورك شك، فاستشر مصنع المقعد المطور أو الموزع.

الخامات بلاستيك، معدن، قماش

رقم براءة الاختراع براءات الاختراع المنتظرة

تدبيبات بشأن التركيب

راجع الصور ١ - ٣

١ لا تتركب نظام تقييد حركة الطفل هذا على مقاعد سيارات متجهة جانبياً أو للخلف حسب اتجاه حركة السيارة.

يُوصى بتركيب هذا المقعد في المقعد الخلفي للسيارة.

لا تتركب نظام تقييد حركة الطفل هذا على مقاعد سيارات قابلة للحركة أثناء التركيب.

٢ لا تضع نظام تقييد حركة طفل مواجهاً للخلف على مقعد أمامي مزود بوسادة هوائية؛ وإلا، فقد تحدث وفاة أو إصابة خطيرة. يرجى الرجوع إلى دليل مالك السيارة للحصول على مزيد من المعلومات.

٣ هذا النظام مناسب لمقاعد السيارات المزودة بحزام أمان ثلاثي النقاط قابل للضم.

لا تتركب هذا النظام على مقاعد السيارات المزودة بأحزمة فخذ.

استخدام واقي الصدمات الجانبي

راجع الصور ٤ - ٥

٤ يأتي النظام المطور لتقييد حركة الطفل مزوداً بواقي جانبي للحماية من الصدمات قابل للتركيب. ويجب استخدام هذا الواقي الجانبي على جانب باب السيارة لضمان أفضل حماية.

٥ اضغط على زر التحرير لفاك واقي الصدمات الجانبي.

ضبط الإمالة

راجع الصور ٦ - ٧

٦ اضغط على مقبض ضبط الإمالة، واضبط النظام المطور على الموضع السليم.

٧ يجب ضبط زوايا الإمالة على النحو الموضح في الشكل ٧

توجد زاويتان للإمالة ٦-٥ في وضع المواجهة للخلف.

توجد أربعة زوايا للإمالة ٤-١ في وضع المواجهة للأمام.

قم بمحاذاة مؤشر الإمالة مع الأرقام السفلية لموضع الإمالة الذي تريده.

ضبط الارتفاع

مسند الرأس وأحزمة الكتف

راجع الصور ٨ - ١٠

٨ عند الاستخدام في وضع المواجهة للخلف، يجب أن تكون مجموعة أحزمة الكتف مستوية مع قمتي كتفي الطفل أو أذناهما قليلاً.

إذا لم تكن مجموعة أحزمة الكتف على ارتفاع مناسب، فقد ينقذف الطفل من النظام المطور في حالة وقوع حادث.

٩ عند الاستخدام في وضع المواجهة للأمام، يجب أن تكون موجبات حزام الكتف مستوية مع كتفي الطفل أو فوقهما قليلاً.

يرجى ضبط مسند الرأس ومجموعة أحزمة الكتف على الارتفاع المناسب لطول الطفل.

١٠ اضغط بقوة على ذراع ضبط مسند الرأس ١- أثناء سحب مسند الرأس لأعلى أو دفعه لأسفل إلى أن تسمع صوت استقراره في أحد الموضعين. يمكن الاطلاع على مواضع مسند الرأس في الصورة ١٠-٢

عند ضبط مسند الرأس لأعلى (من الموضع السادس إلى التاسع)، تتحرك جوانب النظام المطور تلقائياً للخارج لتوفير مساحة أكبر للكتف.

وضع المواجهة للخلف

(طول الطفل من ٤٠ إلى ١٠٥ سم/
الوزن الأقصى للطفل ٢٢ كجم)

راجع الصور ١١ - ١٤

يُرجى تثبيت نظام تقييد حركة الطفل على مقعد السيارة الخلفي، ثم وضع الطفل في النظام.

التركيب في وضع المواجهة للخلف

يرجى ضبط النظام المطور على موضع الإمالة المطلوب (موضعان لوضع المواجهة للخلف). حاذ بين مؤشر الإمالة العلوي وأحد الأرقام البيضاء السفلية.

تأكد من ضبط مجموعة أحزمة الكتف على الارتفاع المناسب قبل تركيب النظام المطور.

عند تركيب أحزمة الأمان وضبطها، تأكد من عدم التواء كل من حزام الكتف وحزام الفخذ وتثبيتهما في توقف وظيفة أحزمة الأمان عن العمل بشكل سليم.

١١ مرر حزام الفخذ بمقعد السيارة عبر الفتحات المخصصة له في السيارة.

١٢ ثبت بعد ذلك لسان إبريزم حزام أمان السيارة في الإبزيم.

يجب أن يمر حزام الفخذ بمقعد السيارة أسفل مسند الرضيع.

١٣ مرر حزام الكتف بمقعد السيارة عبر فتحتي حزام مقعد السيارة المواجهين للخلف في الجانب الخلفي من النظام المطور.

١٤ افتح قفل الحزام، وأدخل حزام الكتف فيه.

تأكد من إغلاق قفل الحزام تمامًا عندما لا يكون قيد الاستخدام لمنع حدوث إصابات أو تلف مواد التثبيت بالسيارة.

١٥ اضغط على النظام المطور بقوة، واسحب حزام الكتف بمقعد السيارة لإحكام تثبيت

النظام المطور. ١٥- ١ و ١٥- ٢

تأكد من إغلاق القفل بعد التأكد من إحكام تثبيت النظام المطور. ١٥- ٣ و ١٥- ٤

أبعد أصابعك عند غلق مشابك القفل لتجنب الإصابة.

لا يمكن استخدام هذا النظام المطور إذا كان إبريزم حزام أمان السيارة (طرف الإبزيم الأثني) أطول مما ينبغي لتثبيت النظام المطور بإحكام.

تأكد مرة أخرى من إحكام تثبيت النظام المطور وأنه لا يتحرك على مقعد السيارة.

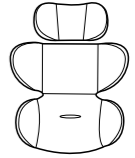
١٦ يمكن الاطلاع على كيفية تجميع حزام مقعد السيارة بالرجوع إلى الشكل ١٦- ١

تأكد من مرور حزام الفخذ بمقعد السيارة عبر الفتحة المخصصة له في مقعد السيارة.

١٦- ١ تأكد من أن حزام الكتف في السيارة يمر عبر فتحة حزام الأمان متجهاً للخلف. ١٦- ٢

يجب إحكام تثبيت لسان إبريزم السيارة في الإبزيم بشكل صحيح، على النحو الموضح في الصورة ١٦- ٣

إحكام تثبيت الطفل في مقعد تقييد الحركة باستخدام مسند الجسم ووسادة مسند الرأس



نوصي باستخدام وسادة مسند الرأس ومسند الجسم عندما يقل طول الطفل عن ٦٠ سم ويمكن استخدامها حتى يصبحا ضيقين عليه؛ فوسادة مسند الرأس ومسند الجسم من شأنهما زيادة الحماية من الصدمات الجانبية.

١٧ عند الضغط على زر تعديل طول الحزام، قم بسحب أحزمة الكتفين بنظام تقييد الطفل المطور بشكل كامل.

١٨ اضغط على الزر لفك تعشيق الإبزيم.

١٩ ثبت الأبزيم على جانبي المقعد لضمان مزيد من الراحة عند وضع الطفل.

ضع الطفل في نظام تقييد حركة الطفل المطور ومرر ذراعيه من خلال الأحزمة.

٢٠ عشق الإبزيم.

٢١ اسحب شريط الضبط تجاهك لضبطه حسب الطول المناسب ولضمان أمان الطفل وإحكام تقييده.

بعد جلوس الطفل، أعد الفحص للتأكد من وجود أحزمة الكتف على الارتفاع المناسب.

ابق الطفل دائماً مؤمناً من خلال الأحزمة واربطه بشكل سليم من خلال إزالة أي ارتخاء بالأحزمة.

وضع المواجهة للأمام

(طول الطفل من ١٠٠ سم إلى ١٤٥ سم)

راجع الصور ٢٢ - ٢٥

التركيب في وضع المواجهة للأمام

عند الاستخدام في وضع المواجهة للأمام، يرجى إزالة مسند الجسم، ووضع أشرطة مجموعة أحزمة الكتف والإبزيم والسنة الإبزيم في حجيرات التخزين المخبأة.

يمكن استخدام وسادة مسند الرأس إذا كانت تؤدي إلى دعم رأس الطفل بشكل مريح.

يرجى ضبط أحزمة الكتف على الطول الصحيح قبل تخزين أحزمة الكتف في أماكن تخزينها.

يرجى ضبط النظام المطور على موضع الإمالة المطلوب. (٤ مواضع لوضع المواجهة للأمام). حدّ بين مؤشر الإمالة العلوي وأحد الأرقام البيضاء السفلية.

أثناء استخدام حزام أمان السيارة وضبطه تأكد من خلوه من أي التواءات قد تؤدي إلى تثبيت طفلك بشكل غير صحيح.

اضغط على الزر لفك تعشيق الإبزيم كما في الصورة. ١٨

فك حزام مفرك السائقين كما في الصورة ٢٨ ثم أزل مسند الجسم.

لا تستخدم مسند الجسم عند تركيب النظام المطور في وضع التوجيه للأمام. يمكن استخدام وسادة مسند الرأس إذا كانت تؤدي إلى دعم رأس الطفل بشكل مريح.

يرجى الحفاظ على حزام مفرك السائقين جيّداً لتجنب فقدانها.

٢٢ افتح الكابسات. ٢٢ - ١

ارفع اللسان العلوي لأعلى واسحب اللسان السفلي للأمام، ثم خزّن أحزمة الكتف في حجيرات تخزينها. ٢٢ - ٢

اسحب الإبزيم إلى الجانب الخلفي من وسادة المقعد، ثم خزّن الإبزيم والسنة الإبزيم في حجيرات تخزينها. ٢٢ - ٣ و ٢٢ - ٤

٢٢ أعد إغلاق الكابسات لاستعادة وسادة المقعد. تظهر وسادة المقعد بعد تغطيتها كما في ٢٣

إحكام تثبيت الطفل في نظام تقييد حركة الطفل

يرجى التحقق مما إذا كانت موجهات حزام الكتف بمقعد السيارة على الارتفاع المناسب عندما يكون الطفل في النظام المطور لتقييد حركة الطفل.

٢٤ مرر حزام الكتف عبر موجه حزام الكتف، ومرر حزام الفخذ عبر فتحات حزام الفخذ بمقعد السيارة. عشق إبزيم السيارة، واسحب حزام الأمان للتأكد من إحكام شدّه. ٢٤

٢٥ يجب أن يمر حزام الكتف عبر موجه حزام الكتف. ٢٤ - ١

يجب أن يمر حزام الفخذ عبر فتحة حزام الفخذ. لا يمكن استخدام هذا النظام المطور إذا كان إبزيم حزام أمان السيارة (طرف الإبزيم الأنتي) أطول مما ينبغي لتثبيت النظام

المطور بإحكام. ٢٤ - ٢

لا تستخدم أبداً حزام أمان سيارة ثنائي النقاط (حزام فخذ فقط) لإحكام تثبيت الطفل.

لا تستخدم حزام الكتف وهو مرتخٍ أو موضوع تحت النزاع.

لا تستخدم حزام الأمان خلف ظهر الطفل.

لا تدع الطفل ينزلق لأسفل في النظام المطور إذا وقع حادث خنق.

فك الأجزاء اللينة

راجع الصور ٢٦ - ٢٤

٢٦ اضغط على الزر الأحمر لفك تعشيق الإبزيم.

اتبع الخطوات ٢٧ - ٢٤ لفك الأجزاء اللينة.

لإعادة تركيب الأجزاء اللينة، يرجى تكرار الخطوات سالفة الذكر ولكن بترتيب عكسي.



Allison Baby UK Ltd,

Venture Point, Towers Business Park Rugeley,
Staffordshire, WS15 1UZ

NUNA International B.V.

Van der Valk Boumanweg 178 C,
2352 JD Leiderdorp, The Netherlands

Customer Service

gracobaby.eu
www.gracobaby.pl

For UK and ROI
Customerservices.uk@gracobaby.eu
+44 0800 952 0063